

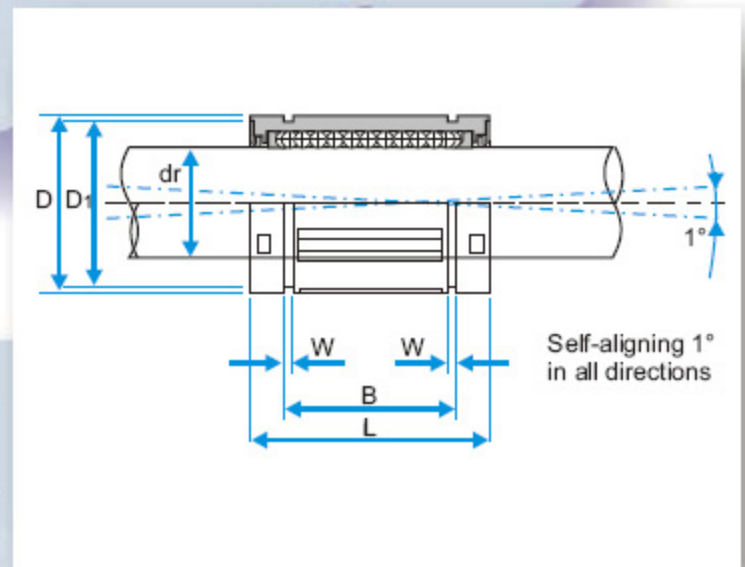
FEATURES

- Higher load capacities
- Longer travel life
- Self-aligning capabilities
- Integral floating seals
- Standard ball bushing dimensions
- Available as open or closed series
- Also available: *Stainless steel version*



Recommended Tolerance for Shaft O.D. and Housing Bore.

Part number	Shaft diameter		Housing bore	
	dr mm	Tol.(h6) μm	D mm	Tol.(H7) μm
TK12	12	0	22	+21
TK16	16	-11	26	0
TK20	20	0	32	+25
TK25	25	-13	40	0
TK30	30		47	
TK40	40	0/-16	62	+30/0



Complete range of ball bushings available

Linear Bearings has the largest range of ball bushings available ex stock.

Most brands catered for in both metric and imperial sizes. Contact any of our branches for all your linear motion requirements.

Dimensions: (mm)

Part number	dr \varnothing	No. of ball circuits	D	Tolerance		W	D1	Basic load rating		Unit weight g
				L tol.	B tol.			C N	CO N	
TK 12UU	12	5	22	32 ± 0.2	22.9 $\begin{smallmatrix} 0 \\ -0.2 \end{smallmatrix}$	1.3	21	1,020	1,290	21
TK 16UU	16	5	26	36 ± 0.2	24.9 $\begin{smallmatrix} 0 \\ -0.2 \end{smallmatrix}$	1.3	24.9	1,250	1,550	43
TK 20UU	20	6	32	45 ± 0.2	31.5 $\begin{smallmatrix} 0 \\ -0.2 \end{smallmatrix}$	1.6	30.3	2,090	2,630	58
TK 25UU	25	6	40	58 ± 0.2	44.1 $\begin{smallmatrix} 0 \\ -0.2 \end{smallmatrix}$	1.85	37.5	3,780	4,720	123
TK 30UU	30	6	47	68 ± 0.2	52.1 $\begin{smallmatrix} 0 \\ -0.2 \end{smallmatrix}$	1.85	44.5	5,470	6,810	216
TK 40UU	40	6	62	80 ± 0.2	60.6 $\begin{smallmatrix} 0 \\ -0.2 \end{smallmatrix}$	2.15	59	6,590	8,230	333



STATEWIDE
LINEAR BEARINGS