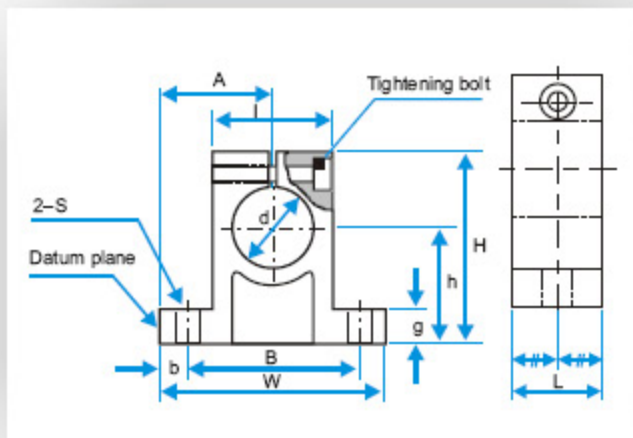


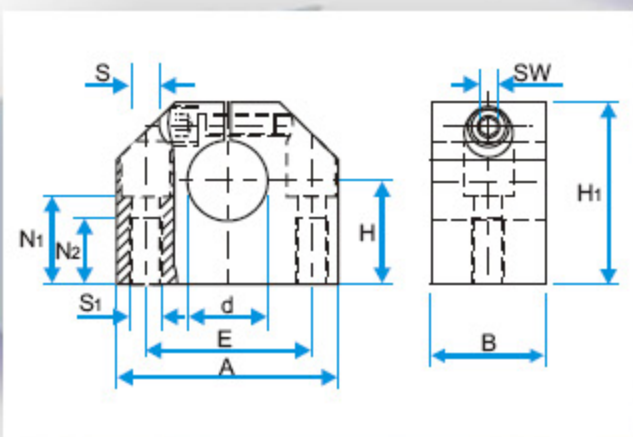
TYPE SK



Dimensions: (mm)

Part number	Shaft size d	H	W	L	B	S	Mounting bolt	±0.02	±0.05	b	l	g	Tightening bolt	Unit weight g
								h	A					
SK10	10	32.8	42	14	32	5.5	M5	20	21	5	18	6	M4	24
SK12	12	37.5	42	14	32	5.5	M5	23	21	5	20	6	M4	30
SK16	16	44	48	16	38	5.5	M5	27	24	5	25	8	M4	40
SK20	20	51	60	20	45	6.6	M6	31	30	7.5	30	10	M5	70
SK25	25	60	70	24	56	6.6	M6	35	35	7	38	12	M6	130
SK30	30	70	84	28	64	9	M8	42	42	10	44	12	M6	180
SK40	40	96	114	36	90	11	M10	60	57	12	60	15	M8	420
SK50	50	120	126	40	100	14	M12	70	63	13	74	18	M12	750

TYPE WBA



Dimensions: (mm)

Part number	Shaft size d	±0.01 H	H1	A	B	E	S	S1	N1	N2	SW	Unit weight
												g
WBA-10	10	18	31	39	20	27±0.15	5.3	M6	14	13	3	50
WBA-12	12	20	35	43	20	30±0.15	5.3	M6	16.5	13	3	60
WBA-16	16	25	42	53	24	38±0.15	6.6	M8	21	18	4	110
WBA-20	20	30	51	60	30	42±0.15	8.4	M10	25	22	5	180
WBA-25	25	35	61	78	38	56±0.15	10.5	M12	30	26	6	350
WBA-30	30	40	70	87	40	64±0.15	10.5	M12	34	26	6	480
WBA-40	40	50	88	108	48	82±0.15	13.5	M16	44	34	8	900
WBA-50	50	60	105	132	58	100±.20	17.5	M20	49	43	10	1500

