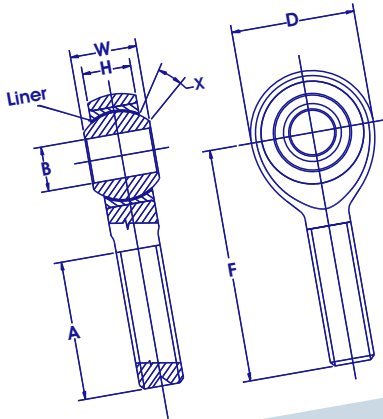


RACE CAR SERIES - HIGH PERFORMANCE MALE ROD ENDS

AEROSPACE PERFORMANCE AT GROUND LEVEL



NMB No.	Alinabal No.	Bore B Thread M UNF	Centre Length F	Thread Length A	HEAD Dia D	Head Width H	Ball Width W	Angle Deg. X
ART 4 E	-	1/4 x 5/16	1.562	0.968	0.806	0.337	0.437	15°
ARYT 4 E	-	1/4 x 3/8	1.938	1.250	1.000	0.265	0.593	23°
ART 5 E	RMT 5 x 5	5/16 x 5/16	1.875	1.187	0.900	0.327	0.437	14°
ARHT 5 E	-	5/16 x 3/8	1.875	1.187	0.900	0.327	0.437	14°
ARYT5E	-	5/16 x 7/16	2.125	1.375	1.125	0.355	0.813	22°
ART 6 E	RMT 6 x 5	3/8 x 3/8	1.938	1.187	1.025	0.416	0.500	8°
ARHT 6 E	-	3/8 x 7/16	1.938	1.187	1.025	0.416	0.500	9°
ARYT 6 E	-	3/8 x 7/16	2.125	1.375	1.125	0.355	0.813	22°
ART 7 E	RMT 7 x 5	7/16 x 7/16	2.125	1.281	1.150	0.452	0.562	10°
ARHT 7 E	-	7/16 x 1/2	2.125	1.281	1.15	0.452	0.562	10°
ARYT 7 E	-	7/16 x 1/2	2.438	1.500	1.312	0.355	0.875	21°
ART 8 E	RMT 8 x 5	1/2 x 1/2	2.438	1.468	1.337	0.515	0.625	9°
ARHT 8 E	RMT 8-10 x 5	1/2 x 5/8	2.438	1.468	1.337	0.515	0.625	9°
ARYT 8 E	-	1/2 x 5/8	2.625	1.625	1.500	0.411	0.937	19°
ART 10 E	RMT 10 x 5	5/8 x 5/8	2.625	1.562	1.525	0.577	0.750	12°
ARHT 10 E	RMT 10-12 x 5	5/8 x 3/4	2.625	1.562	1.525	0.577	0.750	12°
ARYT 10 E	-	5/8 x 3/4	2.875	1.750	1.750	0.577	1.200	19°
ART 12 E	RMT 12 x 5	3/4 x 3/4	2.875	1.687	1.775	0.640	0.875	13°
ARHT 12 E	-	3/4 x 7/8	2.875	1.687	1.775	0.640	0.875	13°
ART 16 E	-	1 x 1 1/4	4.125	2.343	2.775	1.015	1.375	12°

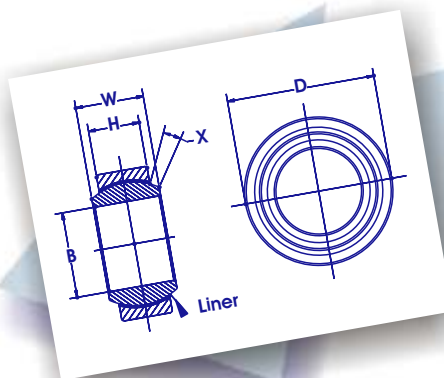
For left hand version add L to part number eg, ARTL8E

Material Specifications:

NMB Part No's Housing 17-4 PH Stainless Steel
 Ball 440C Stainless Steel - Heat Treated
 Race 410 Stainless Steel
 Liner Teflon Fabric Bonded to Race I.D.

Alinabal Part No's Housing Chrome Moly Steel - Plated
 Ball Chrome Moly Steel - Plated
 Race Chrome Moly Steel - Plated
 Liner Self Lub. Woven Teflon Fabric

IMPERIAL SPHERICAL PLAIN



NMB Part No.	Bore Dia. B	Outside Dia. D	Ball Width W	Housing Width H	Angle Deg. X	NMB Part No.	Bore Dia. B	Outside Dia. D	Ball Width W	Housing Width H	Angle Deg. X
ABT 4	1/4	0.656	0.343	0.250	10°	ABT 8	1/2	1.000	0.500	0.390	8°
ABWT 4		0.625	0.437	0.327	15°	ABWT 8		1.000	0.625	0.505	9°
ABYT 4		0.740	0.593	0.255	24°	ABYT 8		1.125	0.937	0.401	20°
ABT 5	5/16	0.750	0.375	0.281	10°	ABT 10	5/8	1.187	0.625	0.500	8°
ABWT 5		0.687	0.437	0.317	14°	ABWT 10		1.187	0.750	0.567	12°
ABYT 5		0.687	0.625	0.255	20°	ABYT 10		1.375	1.200	0.567	20°
ABT 6	3/8	0.812	0.406	0.312	9°	ABT 12	3/4	1.437	0.750	0.593	8°
ABWT 6		0.812	0.500	0.406	8°	ABWT 12		1.375	0.875	0.630	13°
ABYT 6		0.906	0.813	0.345	23°	ABYT 12		1.562	1.280	0.620	18°
ABT 7	7/16	0.906	0.437	0.343	8°	ABT 14	7/8	1.562	0.875	0.703	8°
ABWT 7		0.937	0.562	0.442	10°	ABWT 14		1.625	0.875	0.755	6°
ABYT 7		1.000	0.875	0.345	22°						
						ABT 16	1"	1.750	1.000	0.797	9°
						ABWT 16		2.125	1.375	1.000	12°

Material Specifications: Ball 440C CRES R/C 55-62 Race 410 CRES R/C 55-62 Liner Teflon Fabric