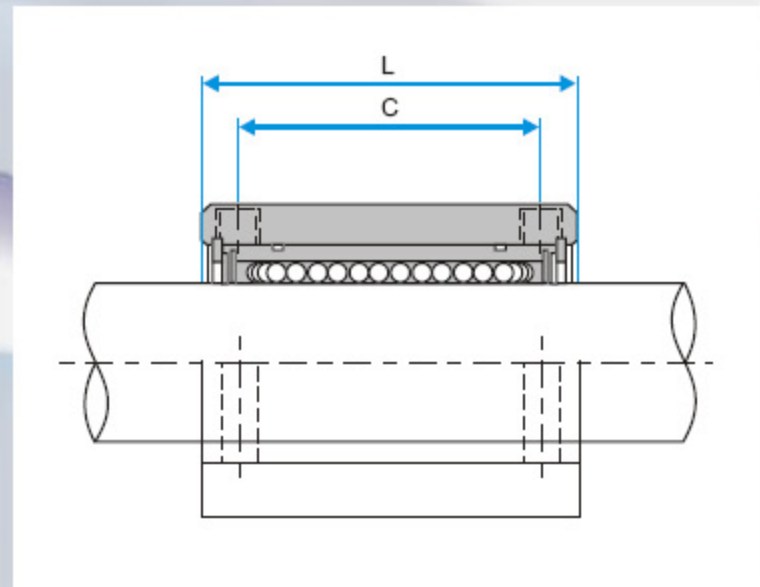
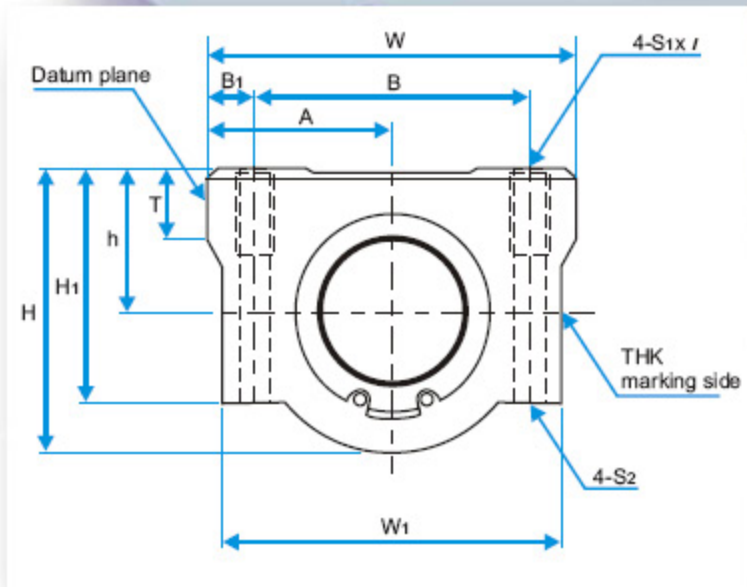


FEATURES

- Aluminium alloy housing
- Standard ball bushing
- Sealed



Also available as tandem units (2 bearings per housing) SL Series



Dimensions: (mm)

Part number	Shaft size ∅	Height H	Width W	Length L	Mounting hole position			TAP S1X I	S2	±0.02 h	±0.02 A	H1	W1	T	Basic load rating		Unit weight g
					B	B1	C								C _N	C _{0N}	
SC 12UU	12	29	42	36	30.5	5.75	26	M5X12	M4	15	21	25	39	8	412	598	102
SC 16UU	16	38.5	50	44	36	7	34	M5X12	M4	19	25	35	46	9	775	1180	189
SC 20UU	20	42	54	50	40	7	40	M6X12	M5	21	27	36	52	11	863	1370	237
SC 25UU	25	51.5	76	67	54	11	50	M8X18	M6	26	38	41	68	12	980	1570	555
SC 30UU	30	59.5	78	72	58	10	58	M8X18	M6	30	39	49	72	15	1570	2750	685
SC 40UU	40	78	102	90	80	11	60	M10X25	M8	40	51	62	96	20	2160	4020	1600
SC 50UU	50	102	122	110	100	11	80	M10X25	M8	52	61	80	116	25	3820	7940	3350

1N=0.102kgf



STATEWIDE
LINEAR BEARINGS