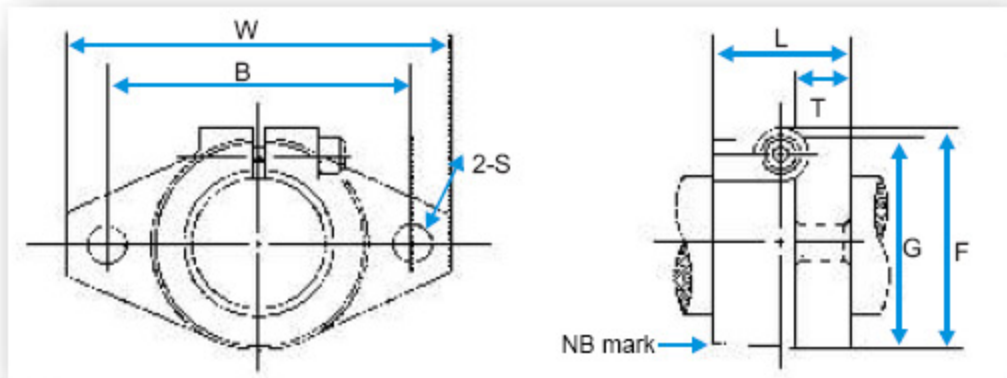


TYPE SHF. ALUMINIUM ALLOY

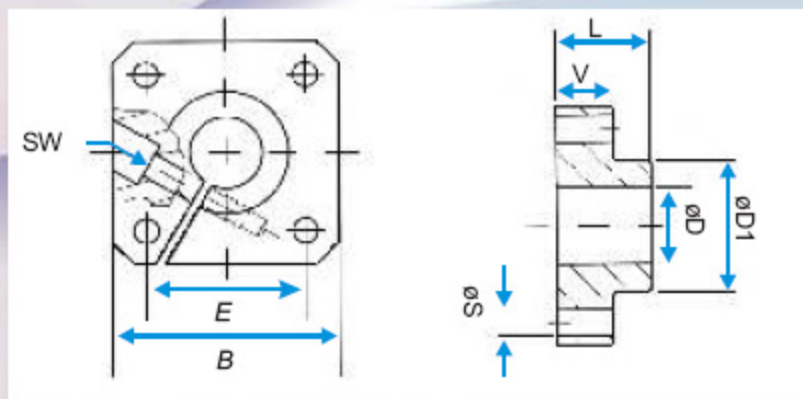


Dimensions: (mm)

Part number	Shaft diameter	W	L	T	F	G	B	S (bolt size)	Adjusting bolt size	Unit weight g
SHF10	10	43	10	5	24	20	32	5.5 (M5)	M4	13
SHF12	12	47	13	7	28	25	36	5.5 (M5)	M4	20
SHF13	13	47	13	7	28	25	36	5.5 (M5)	M4	20
SHF16	16	50	16	8	31	28	40	5.5 (M5)	M4	27
SHF20	20	60	20	8	37	34	48	7 (M6)	M5	40
SHF25	25	70	25	10	42	40	56	7 (M6)	M5	60
SHF30	30	80	30	12	50	46	64	9 (M8)	M6	110
SHF35*	35	92	35	14	58	50	72	12 (M10)	M8	380
SHF40*	40	102	40	16	67	56	80	12 (M10)	M10	510
SHF50*	50	122	50	19	83	70	96	14 (M12)	M12	890
SHF60*	60	140	60	23	95	82	112	14 (M12)	M12	1500

* Cast iron

TYPE FWBA. ALUMINIUM ALLOY



Dimensions: (mm)

Part number	D	B	L	DI	E	S	V	SW	Unit weight g
FWBA-12	12	40	20	23.5	30±0.12	5.5	12	3	60
FWBA-16	16	50	20	27.5	35±0.12	5.5	12	3	80
FWBA-20	20	50	23	33.5	38±0.15	6.6	14	4	100
FWBA-25	25	60	25	42.0	42±0.15	6.6	16	5	150
FWBA-30	30	70	30	49.5	54±0.25	9.0	19	6	300
FWBA-40	40	100	40	65.0	68±0.25	11.0	26	8	700
FWBA-50	50	100	50	75.0	75±0.25	11.0	36	8	1200

