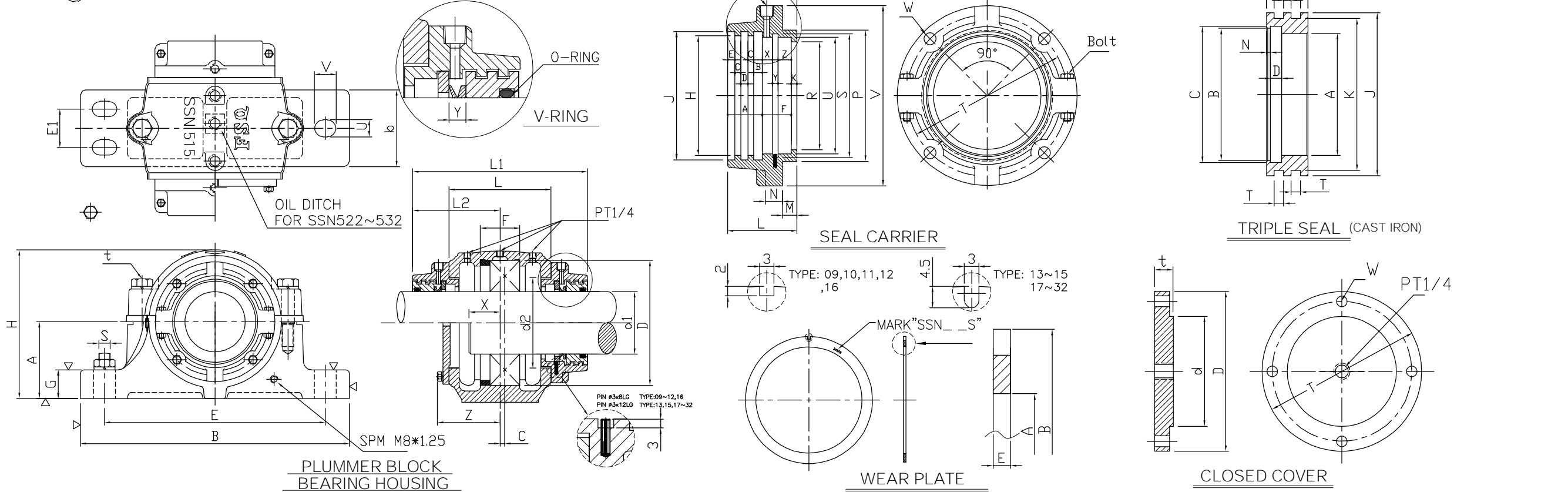


FSQ

TYPE: T(F)SSN500TAC/STB



HOUSING NO.	SHAFT DIA. d	PLUMMER BLOCK BEARING HOUSINGS																				BEARING NO. Spherical	Metric	Locating Ring Number QTY	V-RING NO. Y	O-RING SIZE	SEAL CARRIER																				TRIPLE SEAL										WEAR PLATE					CLOSED COVER															
		D	B	b	G	F	A	H	E	E1	L	L1	L2	d2	X	C	(2 bolt) S	(2 bolt) U	(4 bolt) V	(4 bolt) S	(4 bolt) U						(4 bolt) V	t	ND.	A	B	C	D	E	F	H	J	K	L	M	N	P	R	Q	S	T	V	X	Y	Z	BOLT	U	V	NO.	A	B	C	D	J	K	S	T	V	W	N	NO.	A	B	E	NO.	D	T	W	d	t		
SSN509	40	85	205	60	25	31	60	112	170	30	82	150	75	66	28	4	M12	15	20	M10	14	20	M10	22209K	H309	85x8	1	V-40A	7	#4x138	TAC9-WP (STB)-5	19	6	3	4	3	20	55	60	3	42	8	9	63	50	19	58	81	8.2	4.5	5.5	10	M6x30LG	55	98	TS9	40.07	45.6	47.6	6	58	53	3	4	3	17	2	WP9-SSN-5	45	57.5	5	P9	96	81	5/16"	60	1/4"
SSN510	45	90	205	60	25	33	60	115	170	30	86	154	77	71	28	5	M12	15	20	M10	14	20	M10	22210K	H310	90x10	1	V-45A	7	#4x153	TAC10-WP (STB)-5	19	6	3	4	3	20	60	65	3	42	8	9	68	55	19	63	85	8.2	4.5	5.5	10	M6x30LG	60	102	TS10	45.07	50.6	52.6	6	63	58	3	4	3	17	2	WP10-SSN-5	50	62.5	5	P10	100	85	5/16"	65	1/4"
SSN511	50	100	255	70	28	33	70	130	210	35	88	160	80	77	30	4	M16	18	23	M12	16	23	M12	22211K	H311	100x8	1	V-50A	7	#4x169	TAC11-WP (STB)-5	20	6	3	4	4	20	66	72	4	44	8	10	74	59	20	68	91	8.2	5.5	5.5	9	M6x30LG	65	108	TS11	50.07	55.6	57.6	6	70	64	4	4	3	19	2	WP11-SSN-5	55	67.5	5	P11	106	91	5/16"	70	1/4"
SSN512	55	110	255	70	30	38	70	135	210	35	100	172	86	82	32	5	M16	18	23	M12	16	23	M12	22212K	H312	110x10	1	V-55A	7	#4x185	TAC12-WP (STB)-5	20	6	3	4	4	20	66	72	4	44	8	10	80	59	20	73	91	8.2	5.5	5.5	9	M6x30LG	70	108	TS12	55.07	60.6	62.6	6	70	64	4	4	3	19	2	WP12-SSN-5	60	72.5	5	P12	106	91	5/16"	70	1/4"
SSN513	60	120	275	80	30	43	80	150	230	40	102	178	89	92	36	6	M16	18	23	M12	16	24	M12	22213K	H313	120x12	1	V-60A	7	#4x200	TAC13-WP (STB)-5	24	6	4	5	5	20	76	82	4	48	10	12	88	67	21	81	102	8.7	5.5	5.5	9	M8x35LG	75	120	TS13	60.07	65.6	67.6	6	80	74	4	5	4	22	2	WP13-SSN-5	65	80.5	5	P13	118	102	11/32"	85	1/4"
SSN515	65	130	280	80	30	41	80	155	230	40	106	182	91	94	38	5	M16	18	23	M12	16	26	M12	22215K	H315	130x10	1	V-65A	7	#4x216	TAC15-WP (STB)-5	24	6	4	5	5	20	83	89	4	48	10	12	91	75	19	86	112	8.7	5.5	5.5	9	M8x35LG	80	130	TS15	65.07	70.6	72.6	6	87	81	4	5	4	22	2	WP15-SSN-5	70	85.5	5	P15	128	112	11/32"	88	1/4"
SSN516	70	140	315	90	32	43	95	175	260	50	108	184	92	98	40	5	M20	22	27	M12	19	28	M16	22216K	H316	140x10	1	V-70A	9	#4x232	TAC16-WP (STB)-5	24	6	4	5	5	20	86	92	4	48	10	12	95	75	19	89	120	8.7	7.5	5.5	7	M8x35LG	85	139	TS16	70.07	75.6	77.6	6	90	84	4	5	4	22	2	WP16-SSN-5	75	88.5	5	P16	137	120	11/32"	95	1/4"
SSN517	75	150	320	90	32	46	95	185	260	50	112	184	92	111	42	5	M20	22	27	M12	19	28	M16	22217K	H317	150x10	1	V-75A	9	#4x248	TAC17-WP (STB)-5	24	6	4	5	5	20	97	106	4	48	12	12	108	85	20	100	136	10.3	7.5	5.5	7	M8x35LG	95	156	TS17	75.07	80.6	82.6	6	104	95	4	5	4	22	2	WP17-SSN-5	80	99.5	5	P17	155	136	13/32"	105	1/4"
SSN518	80	160	345	100	35	62.4	100	195	290	50	132	204	102	124	50	-	M20	22	27	M16	20	30	M16	22218K	H318	160x11.2	2	V-80A	9	#4x263	TAC18-WP (STB)-5	24	6	4	5	5	20	110	120	4	48	12	13	120	90	20	107	146	10.3	7.5	5.5	7	M8x35LG	100	165	TS18	80.07	85.6	87.6	6	117	107	4	5	4	22	2	WP18-SSN-5	85	106.5	5	P18	165	146	13/32"	120	1/4"
SSN520	90	180	380	110	40	70.3	112	218	320	60	148	224	112	126	54	-	M24	26	32	M16	23	32	M20	22220K	H320	180x12.1	2	V-90A	9	#4x295	TAC20-WP (STB)-5	24	6	4	5	5	22	115	123	4	50	12	13	122	100	22	116	149	10.3	8	5.5	8.5	M8x35LG	110	170	TS20	90.07	95.6	97.6	6	121	111	4	5	4	22	2	WP20-SSN-5	95	115.5	5	P20	167	149	13/32"	120	1/4"
SSN522	100	200	410	120	45	80	125	240	350	70	162	236	118	150	60	-	M24	26	32	M16	23	32	M20	22222K	H322	200x13.5	2	V-100A	9	#4x326	TAC22-WP (STB)-5	24	6	4	5	5	22	127	140	4	50	13	13	146	115	22	132	172	10.3	8	5.5	8.5	M8x35LG	125	195	TS22	100.07	105.6	107.6	6	136	123	4	5	4	22	2	WP22-SSN-5	105	131.5	5	P22	190	172	13/32"	145	1/4"
SSN524	110	215	410	120	45	86	140	270	350	70	166	248	124	157	64	-	M24	26	34	M16	23	32	M20	22224K	H3124	215x14	2	V-110A	10.5	#4x358	TAC24-WP (STB)-5	27	8	4	5	6	25	134	146	4	56	15	13	153	121	25	142	184	10.3	8	5.5	11.5	M8x35LG	135	205	TS24	110.07	115.6	117.6	6	142	130	5	5	4	24	2	WP24-SSN-5	115	141.5	5	P24	202	184	13/32"	150	1/4"
SSN526	115	230	445	130	50	90	150	290	380	70	174	268	134	172	64	-	M24	28	35	M20	24	36	M24	22226K	H3126	230x13	2	V-120A	10.5	#4x373	TAC26-WP (STB)-5	27	8	4	5	6	30	145	155	5	62	15	13	168	125	31	148	193	10.3	8	5.5	16.5	M8x35LG	140	215	TS26	115.07	120.6	122.6	6	152	142	5	5	4	24	2	WP26-SSN-5	120	147.5	5	P26	215	193	13/32"	165	1/4"
SSN528	125	250	500	150	50	98	150	305	420	80	192	262	131	181	70	-	M30	34	44	M24	28	42	M24	22228K	H3128	250x15	2	V-130A	10.5	#4x405	TAC28-WP (STB)-5	27	8	4	5	6	155	158	168	7	49.5	14.5	12	177	135	23	158	209	10.3	10	5.5	-	M8x40LG	150	230	TS28	125.07	130.6	132.6	6	165	155	5	5	4	24	2	WP28-SSN-5	130	157.5	5	P28	228	209	13/32"	175	1/4"
SSN530	135	270	530	160	60	106	160	325	450	90	202	278	139	190	76	-	M30	34	42	M24	28	42	M24	22230K	H3130	270x16.5	2	V-140A	10.5	#4x436	TAC30-WP (STB)-5	31	8	5	7	6	155	173	183	7	53.5	15.5	13	186	155	23	180	222	10.3	10	5.5	-	M8x40LG	170	245	TS30	135.12	140.6	142.6	6	181	170	5	7	5	29	2	WP30-SSN-5	140	179.5	5	P30	240	222	13/32"	185	1/4"
SSN532	140	290	550	160	60	114	170	345	470	90	218	294	147	190	80	-	M30	32	44	M24	28	42	M24	22232K	H3132	290x17	2	V-140A	10.5	#4x452	TAC32-WP (STB)-5	31	8	5	7	6	155	173	183	7	53.5	15.5	13	186	155	23	180	222	10.3	10	5.5	-	M8x40LG	170	245	TS32	140.12	145.6	147.6	6	181	170	5	7	5	29	2	WP32-SSN-5	145	179.5	5	P32	240	222	13/32"	185	1/4"