



# AGRI-TUFF

*An Important Link For Your Crop*

## Chains + Components

### FEATURES INCLUDE:

- Quad-riveted pins for sideplate security
- Extra heat treatment of pin for longer chain life
- Available in “heavy duty” constructions
- Sizes include RS40, RS50, RS60, RS60H
- Now includes RS80

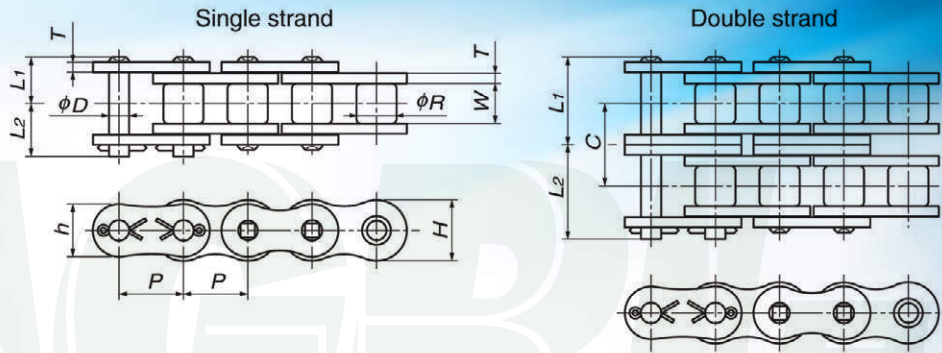
### AVAILABLE SIZES

- 40, 50, 60, 60H, 80 single strands
- 50, 60 double strands

## Get “Agri-Tuff” Performance!!

Drawing heavily on our 80 years of design experience and over 40 years of agriculture experience worldwide, TSUBAKI has developed our innovative roller chain “AGRI-TUFF”, especially designed for agriculture applications. Unique new design and new materials improve the reliability and life of your agricultural chain drive.





Chain Number	Pitch P	Roller Diameter R	Width Between Inner Link Plates W	Link Plate			Pin			Transverse Pitch C	Average Tensile Strength (kg)	Approximate Weight (kg/m)	Number of links per 10 feet	
				Thickness T	Height H	Height h	Diameter D	Length L1+ L2	Length L1					Length L2
Single Strand														
RS40AT	12.70	7.95	7.95	1.50	12.00	10.40	3.97	18.20	8.25	9.95	-	1,950	0.64	240
RS50AT	15.88	10.16	9.53	2.00	15.00	13.00	5.09	22.20	10.30	11.90	-	3,200	1.04	192
RS60AT	19.05	11.91	12.70	2.40	18.10	15.60	5.96	27.60	12.85	14.75	-	4,500	1.53	160
RS60HAT	19.05	11.91	12.70	3.20	18.10	15.60	5.96	31.80	14.80	17.00	-	4,500	1.80	160
RS80AT	25.40	15.88	15.88	3.20	24.10	20.80	7.94	35.50	16.25	19.25	-	8,000	2.66	120
Double Strand														
RS40-2AT	12.70	7.95	7.95	1.50	12.00	10.40	3.97	32.60	15.45	17.15	14.40	3,900	1.27	240
RS50-2AT	15.88	10.16	9.53	2.00	15.00	13.00	5.09	40.50	19.35	21.15	18.10	6,400	2.07	192
RS60-2AT	19.05	11.91	12.70	2.40	18.10	15.60	5.96	50.50	24.25	26.25	22.80	9,000	3.04	160
RS60-2HAT	19.05	11.91	12.70	3.20	18.10	15.60	5.96	50.70	27.80	29.90	26.10	9,000	3.59	160

#### NSW

Tel: 02 9704 2500  
Fax: 02 9704 2560

#### VIC

Tel: 03 9215 2888  
Fax: 03 3793 2699

#### WA

Tel: 08 6254 0000  
Fax: 08 9356 9800

#### QLD

Tel: 07 3273 0600  
Fax: 07 3273 6868

Distributed By: