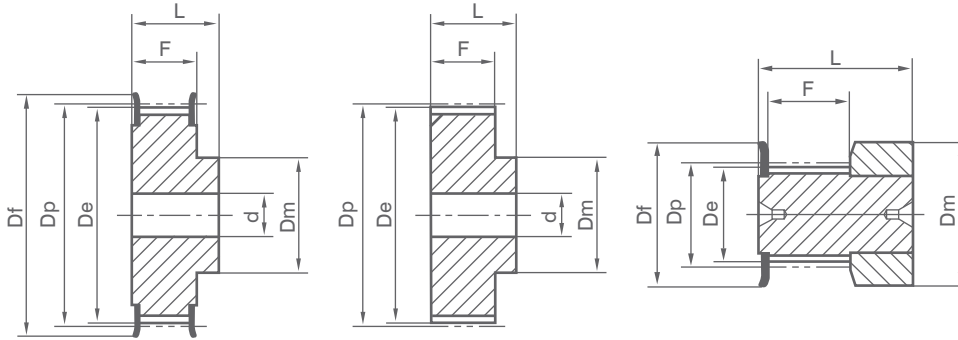


# Timing pulley

ISO5294-1989



1:C45/LY12

2:C45/LY12

3:C45/LY12

## MXL025 PITCH 0.080" (2.032mm)

SPCFCTN	TYPE	Z	De	Dp	Df	Dm	F	L	d
16MXL025F	3	16	9.84	10.35	15	15	8.5	16	-
18MXL025F	3	18	11.12	11.64	16	16	8.5	16	-
20MXL025F	3	20	12.43	12.94	16	16	8.5	16	-
22MXL025	1	22	13.72	14.23	19.5	10	11	16	3
24MXL025F	1	24	15.01	15.52	20	10	11	16	3
28MXL025F	1	28	17.60	18.11	25	11	11	16	3
30MXL025F	1	30	18.90	19.40	25	12	11	16	4
32MXL025F	1	32	20.19	20.70	26	14	11	16	4
36MXL025F	1	36	22.78	23.29	28	16	11	16	4
40MXL025F	1	40	25.37	25.87	32	18	11	16	4
42MXL025F	1	42	26.67	27.17	32	18	11	16	5
44MXL025F	1	44	27.95	28.46	36	18	11	16	5
48MXL025	2	48	30.54	31.05	-	20	11	16	5
60MXL025	2	60	38.30	38.81	-	24	11	16	5
72MXL025	2	72	46.06	46.57	-	25	11	16	6

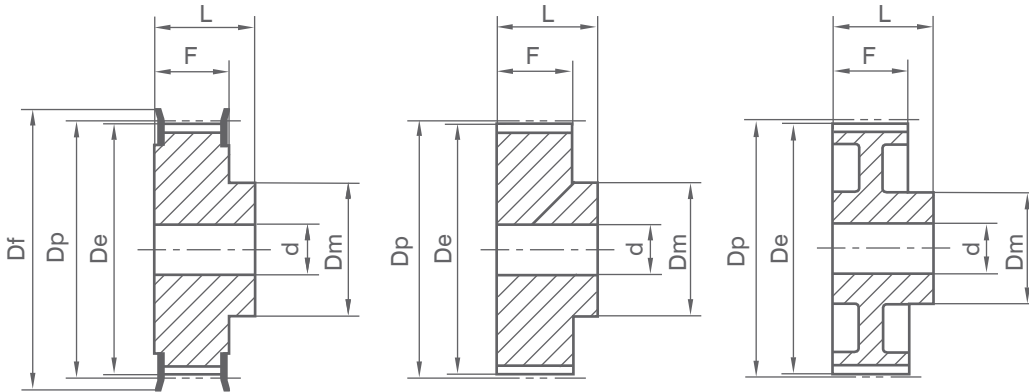


All series of specifications can be sold off-the shelf, immediate delivery. Fast and convenient. Please contact us directly.



# Timing pulley

ISO5294-1989



1:C45/LY12

2:C45/LY12

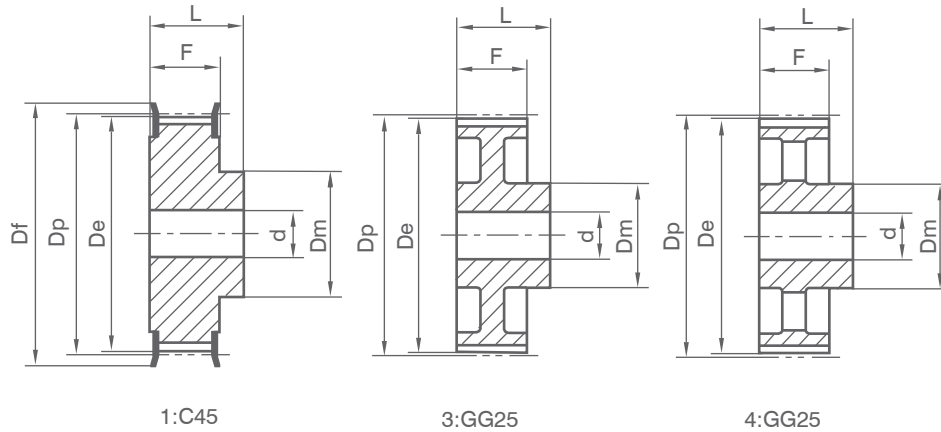
3:C45/LY12

## XL037 PITCH 1/5" (5.08mm)

SPCFCTN	TYPE	Z	De	Dp	Df	Dm	F	L	d
10XL037F	1	10	15.66	16.17	23	10.0	14.3	20	—
11XL037F	1	11	17.28	17.79	23	10.0	14.3	20	—
12XL037F	1	12	18.90	19.41	25	10.0	14.3	20	—
13XL037F	1	13	20.51	21.02	28	10.0	14.3	20	—
14XL037F	1	14	22.13	22.64	28	16.0	14.3	20	—
15XL037F	1	15	23.75	24.26	28	16.0	14.3	20	—
16XL037F	1	16	25.36	25.87	32	16.0	14.3	20	—
17XL037F	1	17	26.98	27.49	35	20.0	14.3	20	—
18XL037F	1	18	28.60	29.11	35	20.0	14.3	20	—
19XL037F	1	19	30.22	30.73	38	20.0	14.3	22	—
20XL037F	1	20	31.83	32.34	38	25.0	14.3	22	—
21XL037F	1	21	33.45	33.96	38	25.0	14.3	22	—
22XL037F	1	22	35.07	35.57	41	25.0	14.3	22	—
23XL037F*	1	23	36.68	37.19	41	25.0	14.3	22	—
24XL037F	1	24	38.30	38.81	44	30.0	14.3	22	—
25XL037F*	1	25	39.92	40.43	44	30.0	14.3	22	8
26XL037F	1	26	41.53	42.04	48	30.0	14.3	22	8
27XL037F	1	27	43.15	43.66	48	34.0	14.3	22	8
28XL037F	1	28	44.77	45.28	51	34.0	14.3	22	8
29XL037F*	1	29	46.39	46.90	51	34.0	14.3	22	8
30XL037F	1	30	48.00	48.51	54	38.0	14.3	22	8
32XL037F	1	32	51.24	51.74	57	38.0	14.3	25	8
34XL037F	1	34	54.47	54.98	61	38.0	14.3	25	8
35XL037F	1	35	56.09	56.60	61	38.0	14.3	25	8
36XL037F	2	36	57.70	58.21	—	45.0	14.3	25	8
38XL037F	2	38	60.94	61.45	—	45.0	14.3	25	8
39XL037F*	2	39	62.56	63.07	—	45.0	14.3	25	8
40XL037F	2	40	64.17	64.68	—	45.0	14.3	25	8
42XL037F	2	42	67.41	67.91	—	45.0	14.3	25	8
44XL037	2	44	70.64	71.15	—	45.0	14.3	25	8
45XL037*	2	45	72.26	72.77	—	45.0	14.3	25	10
48XL037	2	48	77.11	77.62	—	45.0	14.3	25	10
52XL037	2	52	83.58	84.09	—	45.0	14.3	25	10
56XL037*	2	56	90.04	90.55	—	45.0	14.3	25	10
57XL037*	2	57	91.66	92.17	—	45.0	14.3	25	10
60XL037	2	60	96.51	97.02	—	45.0	14.3	25	10
68XL037*	2	68	109.45	109.96	—	45.0	14.3	25	10
70XL037*	2	70	112.68	113.19	—	45.0	14.3	25	10
72XL037	2	72	115.92	116.43	—	45.0	14.3	25	10

# Timing pulley

ISO5294-1989

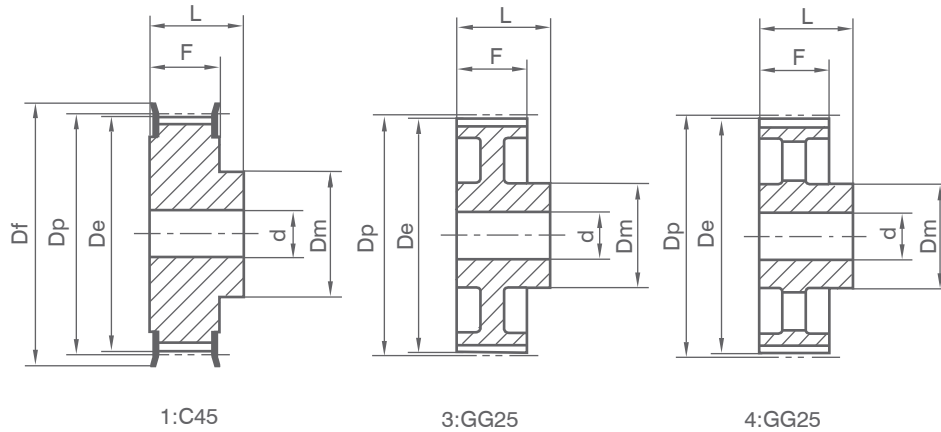


## L050 PITCH 3/8" (9.525mm)

SPCFCTN	TYPE	Z	De	Dp	Df	Dm	F	L	d
10L050F	1	10	29.56	30.33	37	20	19	28	8
11L050F	1	11	32.59	33.35	37	24	19	30	8
12L050F	1	12	35.62	36.37	43	24	19	30	8
13L050F	1	13	38.65	39.41	43	28	19	30	8
14L050F	1	14	41.68	42.44	48	28	19	30	8
15L050F	1	15	44.72	45.48	51	34	19	30	8
16L050F	1	16	47.75	48.51	54	36	19	32	8
17L050F	1	17	50.78	51.54	57	36	19	32	10
18L050F	1	18	53.81	54.59	60	40	19	32	10
19L050F	1	19	56.84	57.61	63	40	19	32	10
20L050F	1	20	59.88	60.63	67	40	19	32	10
21L050F	1	21	62.91	63.68	70	45	19	32	10
22L050F	1	22	65.94	66.70	75	45	19	32	10
23L050F	1	23	68.97	69.73	79	55	19	32	10
24L050F	1	24	72.00	72.77	79	55	19	32	10
25L050F	1	25	75.04	75.80	83	58	19	32	10
26L050F	1	26	78.07	78.84	87	58	19	32	12
27L050F	1	27	81.10	81.86	91	58	19	32	12
28L050F	1	28	84.13	84.89	91	58	19	32	12
30L050F	1	30	90.20	90.96	97	70	19	32	12
32L050F	1	32	96.26	97.03	102	70	19	32	12
33L050F	1	33	99.29	100.05	112	70	19	32	12
34L050F	1	34	102.32	103.08	115	70	19	32	12
35L050F	1	35	105.35	106.12	115	70	19	32	12
36L050F	1	36	108.39	109.14	120	70	19	32	12
40L050F	1	40	120.51	121.29	128	70	19	32	12
42L050F	1	42	126.57	127.34	135	70	19	32	12
44L050F	1	44	132.64	133.40	142	70	19	32	12
45L050F	1	45	135.67	136.44	142	70	19	32	12
48L050F	1	48	144.77	145.54	150	70	19	32	12
50L050	3	50	150.83	151.60	—	70	19	32	14
52L050	3	52	156.90	157.66	—	70	19	32	14
56L050	3	56	169.02	169.76	—	70	19	32	14
57L050	3	57	172.06	172.82	—	70	19	32	14
60L050	3	60	181.15	181.92	—	75	19	42	14
68L050*	4	68	205.41	206.18	—	75	19	42	14
70L050*	4	70	211.47	212.24	—	75	19	42	14
72L050	4	72	217.53	218.29	—	75	19	42	14
84L050	4	84	253.92	254.69	—	75	19	42	14
96L050	4	96	290.30	291.06	—	75	19	42	14

# Timing pulley

ISO5294-1989

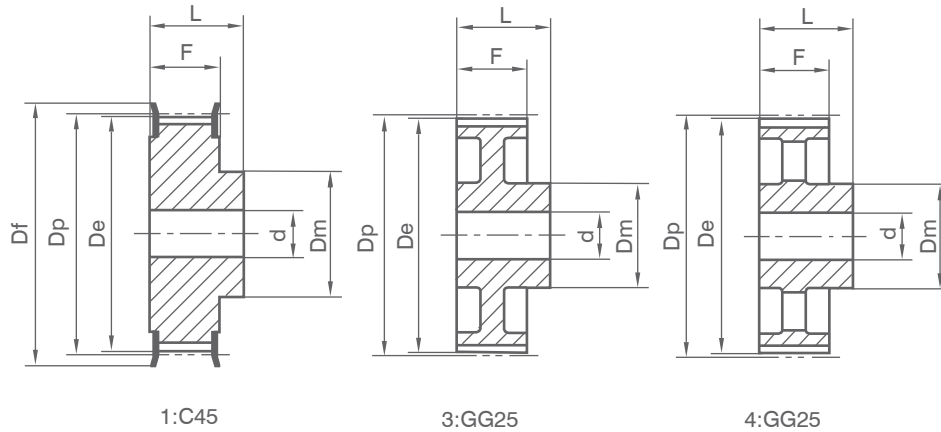


## L075 PITCH 3/8" (9.525mm)

SPCFCTN	TYPE	Z	De	Dp	Df	Dm	F	L	d
10L075F	1	10	29.56	30.33	37	20	25.4	38	8
11L075F	1	11	32.59	33.35	37	24	25.4	38	8
12L275F	1	12	35.62	36.37	43	24	25.4	38	8
13L075F	1	13	38.65	39.41	43	28	25.4	38	8
14L075F	1	14	41.68	42.44	48	28	25.4	38	8
15L075F	1	15	44.72	45.48	51	34	25.4	38	8
16L075F	1	16	47.75	48.51	54	36	25.4	38	8
17L075F	1	17	50.78	51.54	57	36	25.4	38	10
18L075F	1	18	53.81	54.59	60	40	25.4	38	10
19L075F	1	19	56.84	57.61	63	40	25.4	38	10
20L075F	1	20	59.88	60.63	67	40	25.4	38	10
21L075F	1	21	62.91	63.68	70	45	25.4	38	10
22L075F	1	22	65.94	66.70	75	45	25.4	38	10
23L075F	1	23	68.97	69.73	79	55	25.4	38	10
24L075F	1	24	72.00	72.77	79	55	25.4	38	10
25L075F	1	25	75.04	75.80	83	58	25.4	38	10
26L075F	1	26	78.07	78.84	87	58	25.4	38	12
27L075F	1	27	81.10	81.86	91	58	25.4	38	12
28L075F	1	28	84.13	84.89	91	58	25.4	38	12
30L075F	1	30	90.20	90.96	97	70	25.4	38	12
32L075F	1	32	96.26	97.03	102	70	25.4	38	12
33L075F	1	33	99.29	100.05	112	70	25.4	38	12
34L075F	1	34	102.32	103.08	115	70	25.4	38	12
35L075F	1	35	105.35	106.12	115	70	25.4	38	12
36L075F	1	36	108.39	109.14	120	70	25.4	38	12
38L075F*	1	38	114.46	115.22	120	70	25.4	38	12
40L075F	1	40	120.51	121.29	128	70	25.4	38	12
42L075F	1	42	126.57	127.34	135	70	25.4	38	12
44L075F	1	44	132.64	133.40	142	70	25.4	38	12
45L075F	1	45	135.67	136.44	142	70	25.4	38	12
48L075F	1	48	144.77	145.54	150	70	25.4	38	12
50L075	3	50	150.83	151.60	—	70	25.4	38	14
52L075	3	52	156.90	157.66	—	70	25.4	38	14
56L075	3	56	169.02	169.79	—	70	25.4	38	14
57L075	3	57	172.06	172.82	—	70	25.4	38	14
60L075	3	60	181.15	181.92	—	75	25.4	45	14
70L075*	4	70	211.47	212.23	—	75	25.4	45	14
72L075	4	72	217.53	218.29	—	75	25.4	45	14
84L075	4	84	253.92	254.69	—	75	25.4	45	14
96L075	4	96	290.30	291.06	—	75	25.4	45	14

# Timing pulley

ISO5294-1989

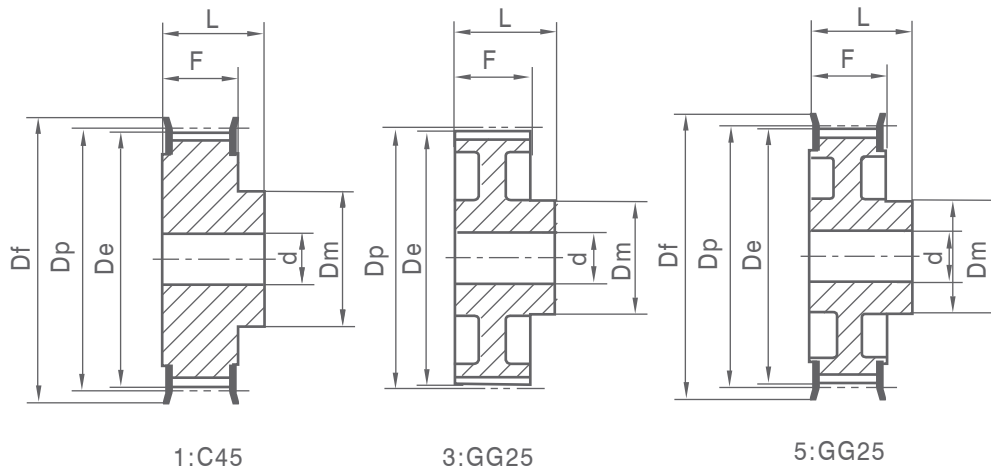


## L100 PITCH 3/8" (9.525mm)

SPCFCTN	TYPE	Z	De	Dp	Df	Dm	F	L	d
10L100F	1	10	29.56	30.33	37	20	31.8	45	8
11L100F	1	11	32.59	33.35	37	24	31.8	45	8
12L100F	1	12	35.62	36.37	43	24	31.8	45	8
13L100F	1	13	38.65	39.41	43	28	31.8	45	8
14L100F	1	14	41.68	42.44	48	28	31.8	45	10
15L100F	1	15	44.72	45.48	51	34	31.8	45	10
16L100F	1	16	47.75	48.51	54	36	31.8	45	10
17L100F	1	17	50.78	51.54	57	36	31.8	45	10
18L100F	1	18	53.81	54.59	60	40	31.8	45	10
19L100F	1	19	56.84	57.61	63	40	31.8	45	10
20L100F	1	20	59.88	60.63	67	40	31.8	45	10
21L100F	1	21	62.91	63.68	70	45	31.8	45	10
22L100F	1	22	65.94	66.70	75	45	31.8	45	12
23L100F	1	23	68.97	69.73	79	55	31.8	45	12
24L100F	1	24	72.00	72.77	79	55	31.8	45	12
25L100F	1	25	75.04	75.80	83	58	31.8	45	12
26L100F	1	26	78.07	78.84	87	58	31.8	45	12
27L100F	1	27	81.10	81.86	91	58	31.8	45	12
28L100F	1	28	84.13	84.89	91	58	31.8	45	12
30L100F	1	30	90.20	90.96	97	70	31.8	45	12
32L100F	1	32	96.26	97.03	102	70	31.8	45	12
33L100F	1	33	99.29	100.05	112	70	31.8	45	12
34L100F	1	34	102.32	103.08	115	70	31.8	45	12
35L100F	1	35	105.35	106.12	115	70	31.8	45	12
36L100F	1	36	108.39	109.14	120	70	31.8	45	12
40L100F	1	40	120.50	121.29	128	70	31.8	45	12
42L100F	1	42	126.57	127.34	135	70	31.8	45	12
44L100F	1	44	132.64	133.40	142	70	31.8	45	12
45L100F	1	45	135.67	136.44	142	70	31.8	45	12
48L100F	1	48	144.77	145.54	150	70	31.8	45	12
50L100	3	50	150.83	151.60	—	70	31.8	45	14
52L100	3	52	156.90	157.66	—	70	31.8	45	14
56L100	3	56	169.02	169.79	—	70	31.8	45	14
57L100	3	57	172.06	172.82	—	70	31.8	45	14
60L100	3	60	181.15	181.92	—	75	31.8	45	14
68L100*	4	68	205.41	206.17	—	75	31.8	45	14
72L100	4	72	217.53	218.29	—	75	31.8	45	14
84L100	4	84	253.92	254.69	—	75	31.8	45	14
96L100	4	96	290.30	291.06	—	75	31.8	45	14

# Timing pulley

ISO5294-1989

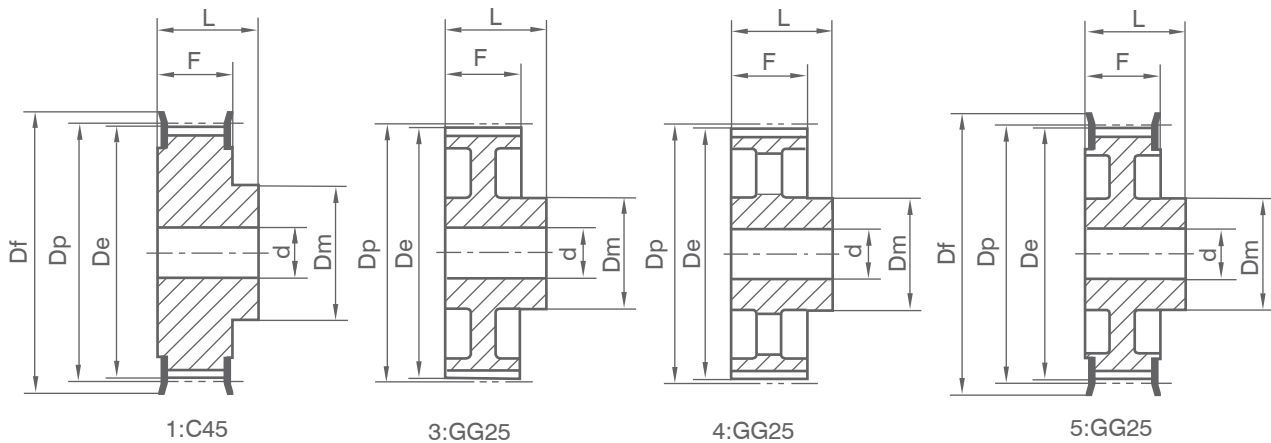


## H075 PITCH 1/2" (12.70mm)

SPCFCTN	TYPE	Z	De	Dp	Df	Dm	F	L	d
14H075F	1	14	55.22	56.59	63	40	26.4	40	10
15H075F	1	15	59.27	60.64	70	45	26.4	40	10
16H075F	1	16	63.31	64.67	70	45	26.4	40	10
17H075F	1	17	67.35	68.72	75	45	26.4	40	12
18H075F	1	18	71.39	72.77	79	55	26.4	40	12
19H075F	1	19	75.44	76.81	83	60	26.4	40	12
20H075F	1	20	79.48	80.85	87	62	26.4	40	12
21H075F	1	21	83.52	84.89	91	65	26.4	40	12
22H075F	1	22	87.56	88.93	94	68	26.4	40	12
23H075F	1	23	91.61	92.98	102	72	26.4	40	12
24H075F	1	24	95.65	97.03	102	72	26.4	40	12
25H075F	1	25	99.69	101.06	112	72	26.4	40	12
26H075F	1	26	103.73	105.11	112	80	26.4	40	12
27H075F	1	27	107.78	109.15	120	80	26.4	40	12
28H075F	1	28	111.82	113.18	120	80	26.4	40	12
30H075F	1	30	119.90	121.29	128	80	26.4	40	14
32H075F	1	32	127.99	129.36	135	80	26.4	40	14
33H075F	1	33	132.03	133.40	142	80	26.4	40	14
34H075F	1	34	136.07	137.45	150	80	26.4	40	14
35H075F	1	35	140.12	141.49	150	80	26.4	40	14
36H075F	1	36	144.16	145.54	158	80	26.4	40	14
38H075F	1	38	152.24	153.62	158	80	26.4	40	14
40H075F	1	40	160.33	161.70	168	80	26.4	40	14
42H075F*	1	42	168.41	169.79	175	80	26.4	40	12
44H075F	5	44	176.50	177.88	184	80	26.4	40	14
48H075F	5	48	192.67	194.03	200	90	26.4	45	14
50H075	3	50	200.75	202.13		90	26.4	45	14

# Timing pulley

ISO5294-1989

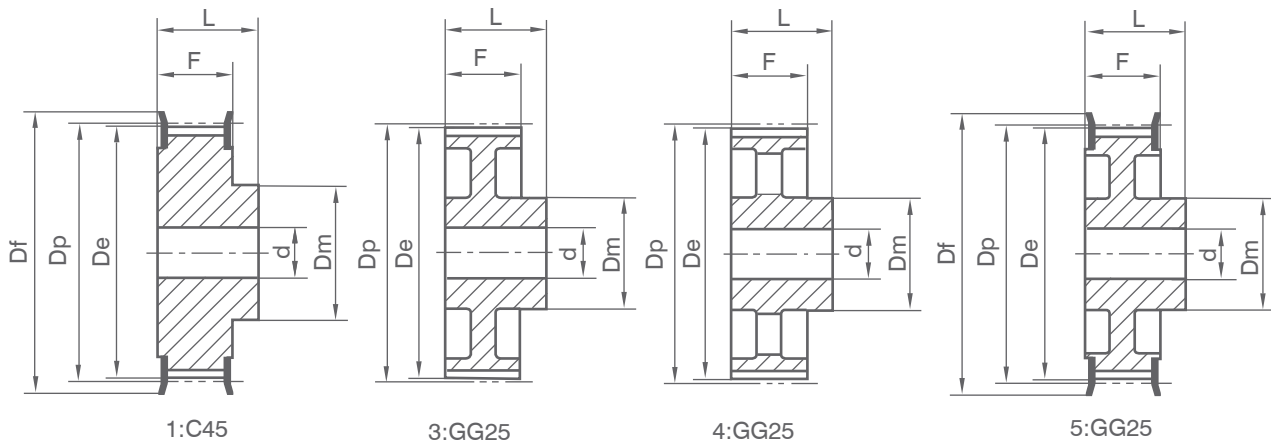


## H100 PITCH 1/2" (12.70mm)

SPCFCTN	TYPE	Z	De	Dp	Df	Dm	F	L	d
14H100F	1	14	55.22	56.69	63	40	31.8	45	12
15H100F	1	15	59.27	60.64	70	45	31.8	45	12
16H100F	1	16	63.31	64.67	70	45	31.8	45	12
17H100F	1	17	67.35	68.72	75	45	31.8	45	12
18H100F	1	18	71.39	72.77	79	55	31.8	45	12
19H100F	1	19	75.44	76.81	83	60	31.8	45	14
20H100F	1	20	79.48	80.85	87	62	31.8	45	14
21H100F	1	21	83.52	84.89	91	65	31.8	45	14
22H100F	1	22	87.56	88.93	94	68	31.8	45	14
23H100F	1	23	91.61	92.98	102	72	31.8	45	14
24H100F	1	24	95.65	97.03	102	72	31.8	45	14
25H100F	1	25	99.69	101.06	112	72	31.8	45	14
26H100F	1	26	103.73	105.11	112	80	31.8	45	14
27H100F	1	27	107.78	109.15	120	80	31.8	45	14
28H100F	1	28	111.82	113.18	120	80	31.8	45	14
29H100F	1	29	115.86	117.23	120	80	31.8	45	14
30H100F	1	30	119.90	121.29	128	80	31.8	45	14
32H100F	1	32	127.99	129.36	135	80	31.8	45	14
33H100F	1	33	132.03	133.40	142	80	31.8	45	14
34H100F	1	34	136.07	137.45	150	80	31.8	45	14
35H100F	1	35	140.12	141.49	150	80	31.8	45	14
36H100F	1	36	144.16	145.54	158	80	31.8	45	14
38H100F	1	38	152.24	153.62	158	80	31.8	45	14
40H100F	1	40	160.33	161.70	168	80	31.8	45	14
42H100F*	1	42	168.41	169.79	175	80	31.8	45	14
44H100F	5	44	176.50	177.88	184	80	31.8	50	18
45H100F	5	45	180.54	181.91	192	80	31.8	50	18
48H100F	5	48	192.67	194.03	200	90	31.8	50	18
50H100	3	50	200.75	202.13	—	90	31.8	50	18
52H100	3	52	208.84	210.21	—	90	31.8	50	18
57H100*	4	57	229.05	230.42	—	90	31.8	50	18
58H100	4	58	233.09	234.47	—	90	31.8	50	18
60H100	4	60	241.18	242.55	—	100	31.8	50	18
68H100*	4	68	273.53	274.90	—	100	31.8	55	18
70H100	4	70	281.61	282.98	—	100	31.8	55	18
72H100	4	72	289.69	291.06	—	120	31.8	55	18
84H100	4	84	338.20	339.57	—	120	31.8	55	18
96H100	4	96	386.71	388.09	—	120	31.8	60	18
120H100	4	120	483.73	485.12	—	120	31.8	60	18
150H100*	4	150	605.01	606.38	—	120	31.8	60	18

# Timing pulley

ISO5294-1989



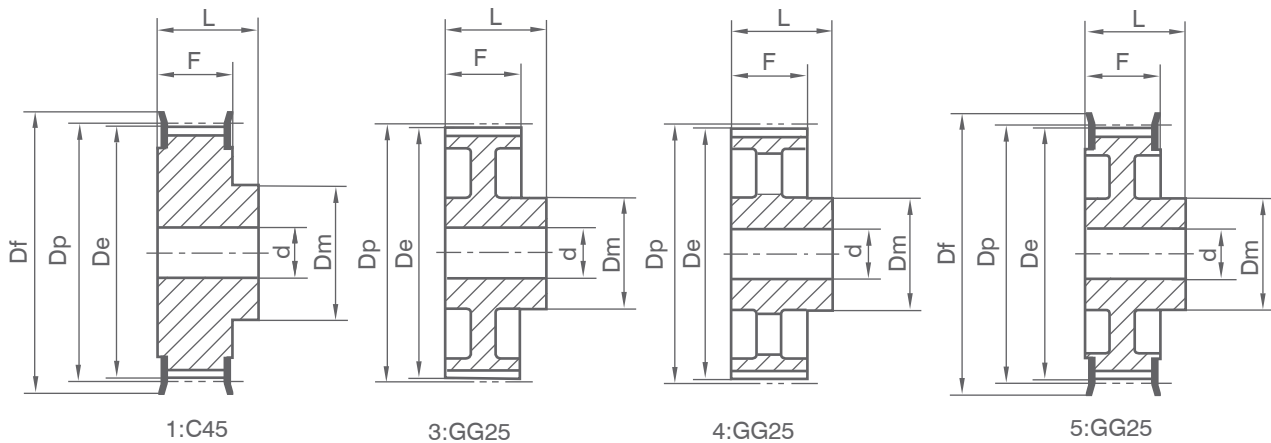
## H150 PITCH 1/2" (12.70mm)

SPCFCTN	TYPE	Z	De	Dp	Df	Dm	F	L	d
14H150F	1	14	55.22	56.59	63	42	46.0	58	18
15H150F	1	15	59.27	60.64	70	45	46.0	58	18
16H160F	1	16	63.31	64.67	70	45	46.0	58	18
17H150F	1	17	67.35	68.72	75	45	46.0	58	18
18H150F	1	18	71.39	72.77	79	55	46.0	58	18
19H150F	1	19	75.44	76.81	83	60	46.0	58	18
20H150F	1	20	79.48	80.85	87	62	46.0	58	18
21H150F	1	21	83.52	84.89	91	65	46.0	58	18
22H150F	1	22	87.56	88.93	94	68	46.0	58	18
23H150F	1	23	91.61	92.98	102	72	46.0	58	18
24H150F	1	24	95.65	97.03	102	72	46.0	58	18
25H150F	1	25	99.69	101.06	112	72	46.0	58	18
26H150F	1	26	103.73	105.11	112	80	46.0	58	18
27H150F	1	27	107.78	109.15	120	80	46.0	58	18
28H150F	1	28	111.82	113.18	120	80	46.0	58	18
29H150F	1	29	115.86	117.23	120	80	46.0	58	18
30H150F	1	30	119.90	121.29	128	80	46.0	58	18
32H150F	1	32	127.99	129.36	135	80	46.0	58	18
33H150F	1	33	132.03	133.40	142	80	46.0	58	18
34H150F	1	34	136.07	137.45	150	80	46.0	58	18
35H150F	1	35	140.12	141.49	150	80	46.0	58	18
36H150F	1	36	144.16	145.54	158	80	46.0	58	18
38H150F	1	38	152.24	153.62	158	80	46.0	58	18
40H150F	1	40	160.33	161.70	168	80	46.0	58	18
42H150F	1	42	168.41	169.79	175	80	46.0	58	18
44H150	5	44	176.50	177.87	184	80	46.0	58	18
45H150F	5	45	180.54	181.91	192	80	46.0	58	18
48H150F	5	48	192.67	194.03	200	90	46.0	65	18
50H150	3	50	200.75	202.13	—	90	46.0	65	18
52H150	3	52	208.84	210.21	—	90	46.0	65	18
57H150*	4	57	229.05	230.43	—	90	46.0	65	18
58H150	4	58	233.09	234.47	—	90	46.0	65	18
60H150	4	60	241.18	242.55	—	100	46.0	65	18
68H150*	4	68	273.53	274.91	—	100	46.0	65	24
70H150	4	70	281.61	282.98	—	100	46.0	65	24
72H150	4	72	289.69	291.06	—	120	46.0	65	24
84H150	4	84	338.20	339.57	—	120	46.0	65	24
96H150	4	96	386.71	388.09	—	120	46.0	65	24
120H150	4	120	483.73	485.12	—	120	46.0	65	24
150H150*	4	150	605.01	606.38	—	120	46.0	65	24



# Timing pulley

ISO5294-1989

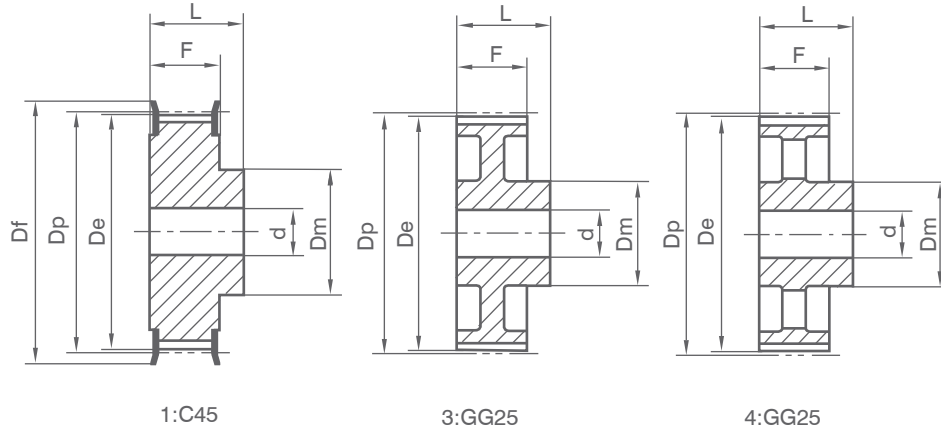


## H200 PITCH 1/2" (12.70mm)

SPCFCTN	TYPE	Z	De	Dp	Df	Dm	F	L	d
14H200F	1	14	55.22	56.59	63	40	58.7	70	18
15H200F	1	15	59.27	60.64	70	45	58.7	70	18
16H200F	1	16	63.31	64.67	70	45	58.7	70	18
17H200F	1	17	67.35	68.72	75	45	58.7	70	18
18H200F	1	18	71.39	72.77	79	55	58.7	70	18
19H200F	1	19	75.44	76.81	83	60	58.7	70	18
20H200F	1	20	79.48	80.85	87	62	58.7	70	18
21H200F	1	21	83.52	84.89	91	65	58.7	70	18
22H200F	1	22	87.56	88.93	94	68	58.7	70	18
23H200F	1	23	91.61	92.98	102	72	58.7	70	18
24H200F	1	24	95.65	97.03	102	72	58.7	70	18
25H200F	1	25	99.69	101.06	112	72	58.7	70	18
26H200F	1	26	103.73	105.11	112	80	58.7	70	18
27H200F	1	27	107.78	109.15	120	80	58.7	70	18
28H200F	1	28	111.82	113.18	120	80	58.7	70	18
29H200F	1	29	115.86	117.23	120	80	58.7	70	18
30H200F	1	30	119.90	121.29	128	80	58.7	70	18
32H200F	1	32	127.99	129.36	135	80	58.7	70	18
33H200F	1	33	132.03	133.40	142	80	58.7	70	18
34H200F	1	34	136.07	137.45	150	80	58.7	70	18
35H200F	1	35	140.12	141.49	150	80	58.7	70	18
36H200F	1	36	144.16	145.54	158	80	58.7	70	18
38H200F	1	38	152.24	153.62	158	80	58.7	70	18
40H200F	1	40	160.33	161.70	168	80	58.7	70	18
42H200F*	1	42	168.41	169.79	175	80	58.7	70	18
44H200F	5	44	176.50	177.88	184	80	58.7	70	18
45H200F	5	45	180.54	181.91	192	80	58.7	70	18
48H200F	5	48	192.67	194.03	200	90	58.7	75	24
50H200	3	50	200.75	202.13	—	90	58.7	75	24
52H200	3	52	208.84	210.21	—	90	58.7	75	24
57H200*	4	57	229.05	230.42	—	90	58.7	75	24
58H200	4	58	233.09	234.47	—	90	58.7	75	24
60H200	4	60	241.18	242.55	—	100	58.7	75	24
68H200*	4	68	273.53	274.90	—	100	58.7	75	28
70H200	4	70	281.61	282.98	—	100	58.7	75	28
72H200	4	72	289.69	291.06	—	120	58.7	75	28
84H200	4	84	338.20	339.57	—	120	58.7	75	28
96H200	4	96	386.71	388.09	—	120	58.7	75	28
120H200	4	120	483.73	485.12	—	120	58.7	75	28
150H200*	4	150	605.01	606.38	—	120	58.7	75	28

# Timing pulley

ISO5294-1989

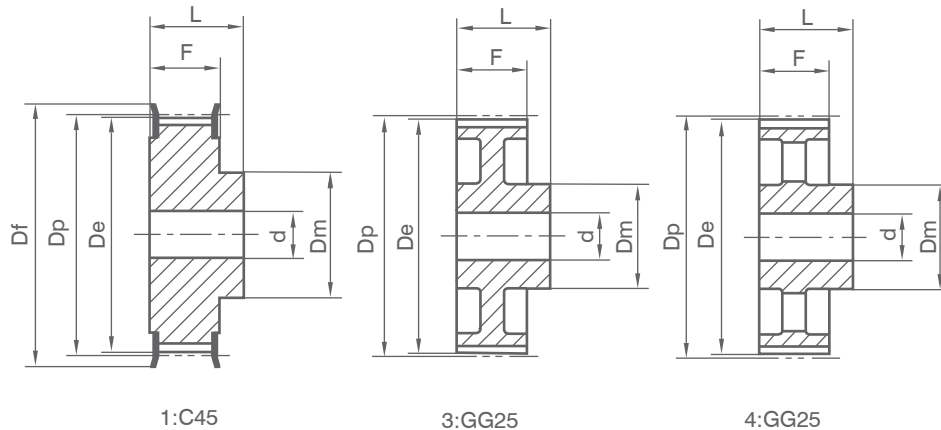


## H300 PITCH 1/2" (12.70mm)

SPCFCTN	TYPE	Z	De	Dp	Df	Dm	F	L	d
14H300F	1	14	55.22	56.59	63	40	85.7	100	18
15H300F	1	15	59.27	60.64	70	45	85.7	100	18
16H300F	1	16	63.31	64.67	70	45	85.7	100	18
17H300F	1	17	67.35	68.72	75	45	85.7	100	18
18H300F	1	18	71.39	72.77	79	55	85.7	100	18
19H300F	1	19	75.44	76.81	83	60	85.7	100	18
20H300F	1	20	79.48	80.85	87	62	85.7	100	18
21H300F	1	21	83.52	84.89	91	65	85.7	100	18
22H300F	1	22	87.56	88.93	94	68	85.7	100	18
23H300F	1	23	91.61	92.98	102	72	85.7	100	18
24H300F	1	24	95.65	97.03	102	72	85.7	100	18
25H300F	1	25	99.69	101.06	112	72	85.7	100	18
26H300F	1	26	103.73	105.11	112	80	85.7	100	18
27H300F	1	27	107.78	109.15	120	80	85.7	100	18
28H300F	1	28	111.82	113.18	120	80	85.7	100	18
30H300F	1	30	119.90	121.29	128	80	85.7	100	18
32H300F	1	32	127.99	129.36	135	80	85.7	100	18
33H300F	1	33	132.03	133.40	142	80	85.7	100	18
34H300F	1	34	136.07	137.45	150	80	85.7	100	18
35H300F	1	35	140.12	141.49	150	80	85.7	100	18
36H300F	1	36	144.16	145.54	158	80	85.7	100	18
38H300F	1	38	152.24	153.62	158	80	85.7	100	18
40H300F	1	40	160.33	161.70	168	80	85.7	100	18
42H300F*	1	42	168.41	169.79	175	80	85.7	100	24
44H300	3	44	176.50	177.88	—	80	85.7	100	24
45H300*	3	45	180.54	181.91	—	90	85.7	100	24
48H300	3	48	192.67	194.03	—	90	85.7	100	24
50H300	3	50	200.75	202.13	—	90	85.7	100	24
52H300	3	52	208.84	210.21	—	90	85.7	100	24
57H300	4	57	229.09	230.47	—	90	85.7	100	24
58H300	4	58	233.09	234.47	—	90	85.7	100	24
60H300	4	60	241.18	242.55	—	100	85.7	100	24
70H300	4	70	281.61	282.98	—	120	85.7	100	30
72H300	4	72	289.69	291.06	—	120	85.7	100	28
84H300	4	84	338.20	339.57	—	120	85.7	100	28
96H300	4	96	386.71	388.09	—	120	85.7	100	28
120H300	4	120	483.73	485.12	—	120	85.7	100	28
150H300	4	150	605.01	606.38	—	120	85.7	100	30
156H300	4	156	629.26	630.64	—	120	85.7	100	30

# Timing pulley

ISO5294-1989

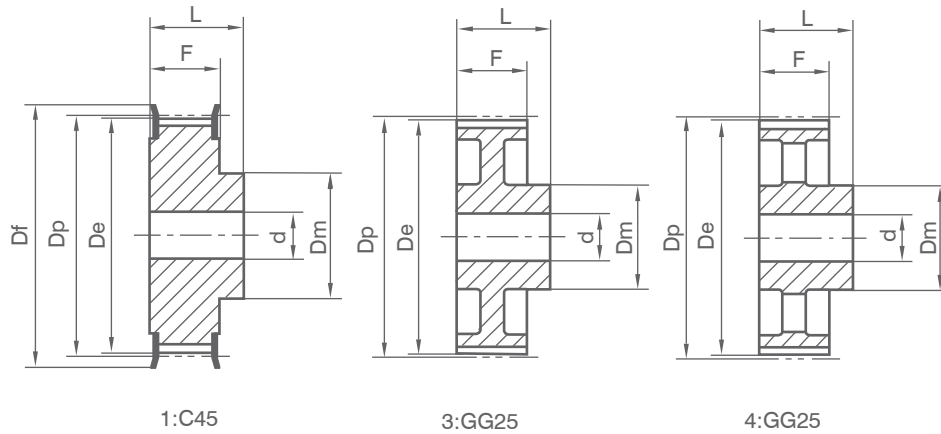


## XH200 PITCH 7/8" (22.22mm)

SPCFCTN	TYPE	Z	De	Dp	Df	Dm	F	L	d
18XH200F	1	18	124.55	127.34	150	100	65	80	24
19XH200F	1	19	131.62	134.41	158	100	65	80	24
20XH200F	1	20	138.70	141.49	168	100	65	80	24
21XH200F	1	21	145.77	148.56	168	110	65	80	24
22XH200F	1	22	152.84	155.64	175	110	65	80	24
23XH200F*	1	23	159.91	162.70	175	120	65	80	24
24XH200F	1	24	166.99	169.79	192	120	65	80	24
25XH200F	1	25	174.07	176.86	200	120	65	80	24
26XH200F	1	26	181.14	183.93	205	120	65	80	24
27XH200F	1	27	188.22	191.01	205	120	65	80	24
28XH200F	1	28	195.29	198.09	211	120	65	80	24
30XH200F	1	30	209.44	212.23	226	120	65	80	24
32XH200F	1	32	223.59	226.38	240	120	65	80	24
34XH200F	1	34	237.74	240.53	256	120	65	80	24
38XH200*	3	38	266.03	268.83	—	150	65	80	28
40XH200*	3	40	280.18	282.98	—	150	65	100	28
46XH200*	4	46	322.63	325.42	—	150	65	100	28
48XH200*	4	48	336.78	339.57	—	150	65	100	28
57XH200*	4	57	400.45	403.24	—	150	65	100	28
58XH200*	4	58	407.52	410.32	—	150	65	100	28
60XH200*	4	60	421.67	424.47	—	150	65	100	28
70XH200*	4	70	492.42	495.21	—	150	65	100	28
72XH200*	4	72	506.56	509.36	—	160	65	100	30
78XH200*	4	78	549.01	551.81	—	160	65	100	30
80XH200*	4	80	563.16	565.95	—	160	65	100	30
82XH200*	4	82	577.31	580.10	—	160	65	100	30
84XH200*	4	84	591.46	594.25	—	160	65	100	30
94XH200*	4	94	662.20	665.00	—	160	65	100	30
96XH200*	4	96	676.35	679.15	—	160	65	100	30
118XH200*	4	118	831.99	834.78	—	160	65	100	30
120XH200*	4	120	846.14	848.93	—	160	65	100	30

# Timing pulley

ISO5294-1989

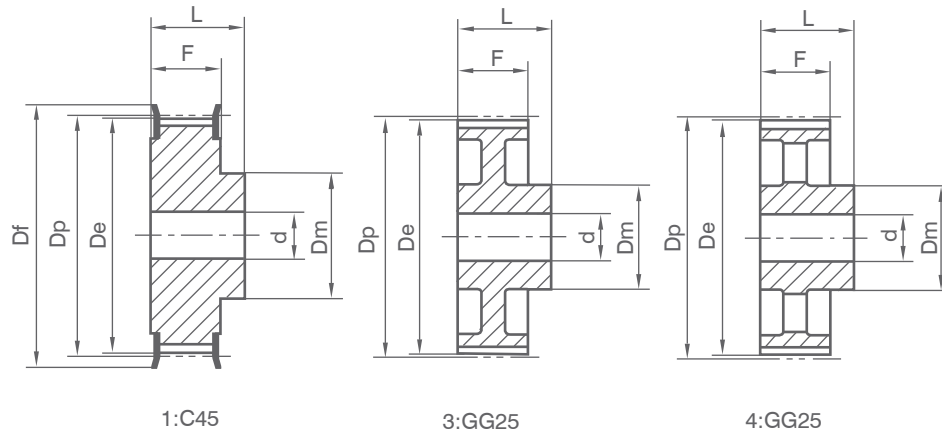


## XH300 PITCH 7/8" (22.22mm)

SPCFCTN	TYPE	Z	De	Dp	Df	Dm	F	L	d
18XH300F	1	18	124.55	127.34	150	100	92	110	28
19XH300F	1	19	131.62	134.41	158	100	92	110	28
20XH300F	1	20	138.69	141.49	168	100	92	110	28
21XH300F	1	21	145.77	148.56	168	110	92	110	28
22XH300F	1	22	152.84	155.64	175	110	92	110	28
23XH300F*	1	23	159.91	162.70	175	120	92	110	28
24XH300F	1	24	166.99	169.79	192	120	92	110	28
25XH300F	1	25	174.07	176.86	200	120	92	110	28
26XH300F	1	26	181.14	183.93	205	120	92	110	28
27XH300F	1	27	188.22	191.01	205	120	92	110	28
28XH300F	1	28	195.29	198.09	211	150	92	110	28
30XH300F	1	30	209.44	212.23	226	150	92	110	28
32XH300F	1	32	223.59	226.38	240	150	92	110	28
34XH300F	1	34	237.74	240.53	256	150	92	110	28
38XH300*	3	38	266.03	268.83	—	150	92	120	30
40XH300*	3	40	280.18	282.98	—	150	92	120	30
46XH300*	4	46	322.63	325.42	—	175	92	120	30
48XH300*	4	48	336.78	339.57	—	175	92	120	30
58XH300*	4	58	407.52	410.32	—	175	92	120	30
60XH300*	4	60	421.67	424.47	—	175	92	120	30
70XH300*	4	70	492.42	495.21	—	175	92	120	30
72XH300*	4	72	506.56	509.36	—	175	92	120	30
78XH300*	4	78	549.01	551.81	—	175	92	120	30
80XH300*	4	80	563.16	565.95	—	175	92	120	30
82XH300*	4	82	577.31	580.10	—	175	92	120	30
84XH300*	4	84	591.46	594.25	—	175	92	120	30
94XH300*	4	94	662.20	665.00	—	175	92	120	30
96XH300*	4	96	676.35	679.15	—	175	92	120	30
118XH300*	4	118	831.99	834.78	—	175	92	120	30
120XH300*	4	120	846.14	848.93	—	175	92	120	30

# Timing pulley

ISO5294-1989

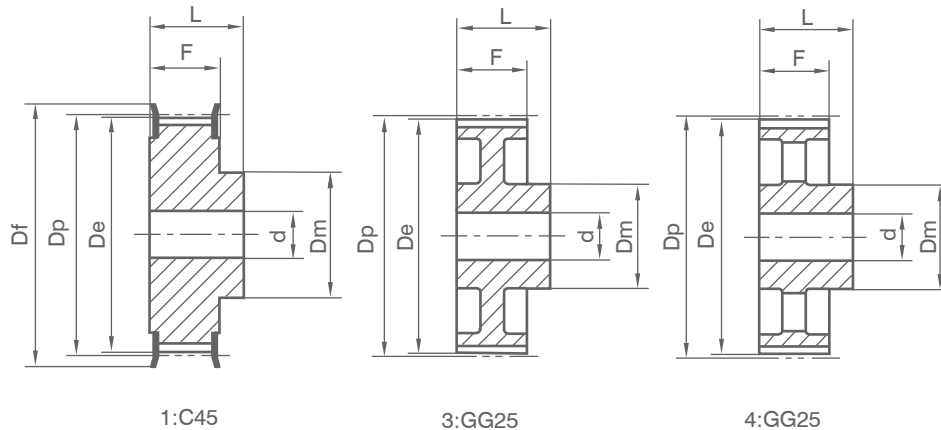


## XH400 PITCH 7/8"(22.22mm)

SPCFCTN	TYPE	Z	De	Dp	Df	Dm	F	L	d
18XH400F	1	18	124.55	127.34	150	100	119	132	32
19XH400F	1	19	131.62	134.41	158	100	119	132	32
20XH400F	1	20	138.69	141.49	168	100	119	132	32
21XH400F	1	21	145.77	148.56	168	110	119	132	32
22XH400F	1	22	152.84	155.64	175	110	119	132	32
23XH400F*	1	23	159.92	162.72	175	120	119	132	32
24XH400F	1	24	166.99	169.79	192	120	119	132	32
25XH400F	1	25	174.07	176.86	200	120	119	132	32
26XH400F	1	26	181.14	183.93	205	120	119	132	32
27XH400F	1	27	188.22	191.01	205	120	119	132	32
28XH400F	1	28	195.29	198.09	211	150	119	132	32
30XH400F	1	30	209.44	212.23	226	150	119	132	32
32XH400F	1	32	223.59	226.38	240	150	119	132	32
34XH400F	1	34	237.74	240.53	256	150	119	132	32
38XH400*	3	38	266.03	268.83	—	150	116	132	30
40XH400*	3	40	280.18	282.98	—	150	116	132	30
46XH400*	4	46	322.63	325.42	—	175	116	132	30
48XH400*	4	48	336.78	339.57	—	175	116	132	30
58XH400*	4	58	407.52	410.32	—	175	116	132	30
60XH400*	4	60	421.67	424.47	—	175	116	132	30
70XH400*	4	70	492.42	495.21	—	175	116	132	30
72XH400*	4	72	506.56	509.36	—	175	116	132	30
78XH400*	4	78	549.01	551.81	—	175	116	132	30
80XH400*	4	80	563.16	565.95	—	175	116	132	30
82XH400*	4	82	577.31	580.10	—	175	116	132	30
84XH400*	4	84	591.46	594.25	—	175	116	132	30
94XH400*	4	94	662.20	665.00	—	175	116	132	30
96XH400*	4	96	676.35	679.15	—	175	116	132	30
118XH400*	4	118	831.99	834.78	—	175	116	132	30
120XH400*	4	120	846.14	848.93	—	175	116	132	30

# Timing pulley

ISO5294-1989



## XXH200 PITCH 1 1/4" (31.75mm)

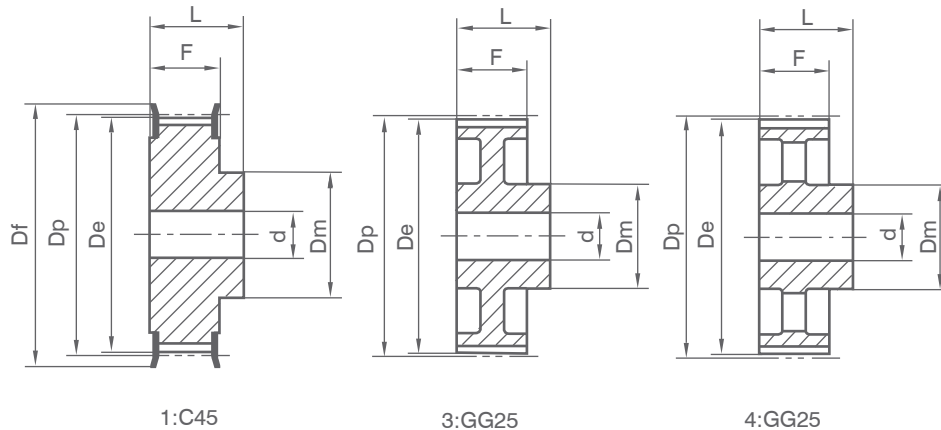
SPCFCTN	TYPE	Z	De	Dp	Df	Dm	F	L	d
18XXH200F	1	18	178.87	181.91	200	140	64.2	100	28
19XXH200F	1	19	188.97	192.02	205	140	64.2	100	28
20XXH200F	1	20	199.08	202.13	211	150	64.2	100	28
21XXH200F	1	21	209.19	212.23	226	150	64.2	100	28
22XXH200F	1	22	219.29	222.34	240	150	64.2	100	28
24XXH200	3	24	239.50	242.55	—	150	64.2	100	28
25XXH200	3	25	249.61	252.66	—	150	64.2	100	28
26XXH200	3	26	259.79	262.76	—	150	64.2	110	28
27XXH200	3	27	269.82	272.87	—	150	64.2	110	28
30XXH200	3	30	300.14	303.19	—	150	64.2	100	28
40XXH200	4	40	401.21	404.25	—	150	64.2	100	28
48XXH200	4	48	482.06	485.10	—	175	64.2	120	30
60XXH200	4	60	603.33	606.38	—	175	64.2	120	30
72XXH200	4	72	724.61	727.66	—	175	64.2	120	35
90XXH200	4	90	906.52	909.57	—	175	64.2	120	35

## XXH300 PITCH 1 1/4" (31.75mm)

SPCFCTN	TYPE	Z	De	Dp	Df	Dm	F	L	d
18XXH300F	1	18	178.87	181.91	200	140	91.4	110	28
19XXH300F	1	19	188.97	192.02	205	150	91.4	110	28
20XXH300F	1	20	199.08	202.13	211	150	91.4	110	28
21XXH300F	1	21	209.19	212.13	226	150	91.4	110	28
22XXH300F	1	22	219.29	222.34	240	150	91.4	110	28
24XXH300	3	24	239.50	242.55	—	150	91.4	110	28
25XXH300	3	25	249.61	252.66	—	150	91.4	110	28
26XXH300	3	26	259.79	262.76	—	150	91.4	110	28
27XXH300	3	27	269.82	272.87	—	150	91.4	110	28
30XXH300	3	30	300.14	303.19	—	150	91.4	110	28
40XXH300	4	40	401.21	404.25	—	150	91.4	110	28
48XXH300	4	48	482.06	485.10	—	175	91.4	120	30
60XXH300	4	60	603.33	606.38	—	175	91.4	120	30
72XXH300	4	72	724.61	727.66	—	175	91.4	120	35
90XXH300	4	90	906.52	909.57	—	175	91.4	120	35

# Timing pulley

ISO5294-1989



## XXH400 PITCH 1 1/4" (31.75mm)

SPCFCTN	TYPE	Z	De	Dp	Df	Dm	F	L	d
18XXH400F	1	18	178.87	181.91	200	140	118	140	30
19XXH400F	1	19	188.97	192.02	205	150	118	140	30
20XXH400F	1	20	199.08	202.13	211	150	118	140	30
21XXH400F	1	21	209.19	212.23	226	150	118	140	30
22XXH400F	1	22	219.29	222.34	240	150	118	140	30
24XXH400	3	24	239.50	242.55	—	150	118	140	30
26XXH400	3	26	259.79	262.76	—	150	118	140	30
27XXH400	3	27	269.82	272.87	—	185	118	140	30
30XXH400	3	30	300.14	303.19	—	185	118	140	30
40XXH400	4	40	401.21	404.25	—	185	118	140	30
48XXH400	4	48	482.06	485.10	—	185	118	140	30
60XXH400	4	60	603.33	606.38	—	185	118	140	35
72XXH400	4	72	724.61	727.66	—	220	118	140	35
90XXH400	4	90	906.52	909.57	—	220	118	140	35

## XXH500 PITCH 1 1/4" (31.75mm)

SPCFCTN	TYPE	Z	De	Dp	Df	Dm	F	L	d
18XXH500F	1	18	178.87	181.91	200	140	145.3	168	30
19XXH500F	1	19	188.97	192.02	205	150	145.3	168	30
20XXH500F	1	20	199.08	202.13	211	150	145.3	168	30
21XXH500F	1	21	209.19	212.23	226	150	145.3	168	30
22XXH500F	1	22	219.29	222.34	240	150	145.3	168	30
24XXH500	3	24	239.50	242.55	—	150	145.3	168	30
26XXH500	3	26	259.79	262.76	—	150	145.3	168	30
27XXH500	3	27	269.82	272.87	—	215	145.3	168	30
30XXH500	3	30	300.14	303.19	—	215	145.3	168	30
40XXH500	4	40	401.21	404.25	—	215	145.3	168	30
48XXH500	4	48	482.06	485.10	—	215	145.3	168	35
60XXH500	4	60	603.33	606.38	—	240	145.3	168	35
72XXH500	4	72	724.61	727.66	—	240	145.3	168	35
90XXH500	4	90	906.52	909.57	—	240	145.3	168	35