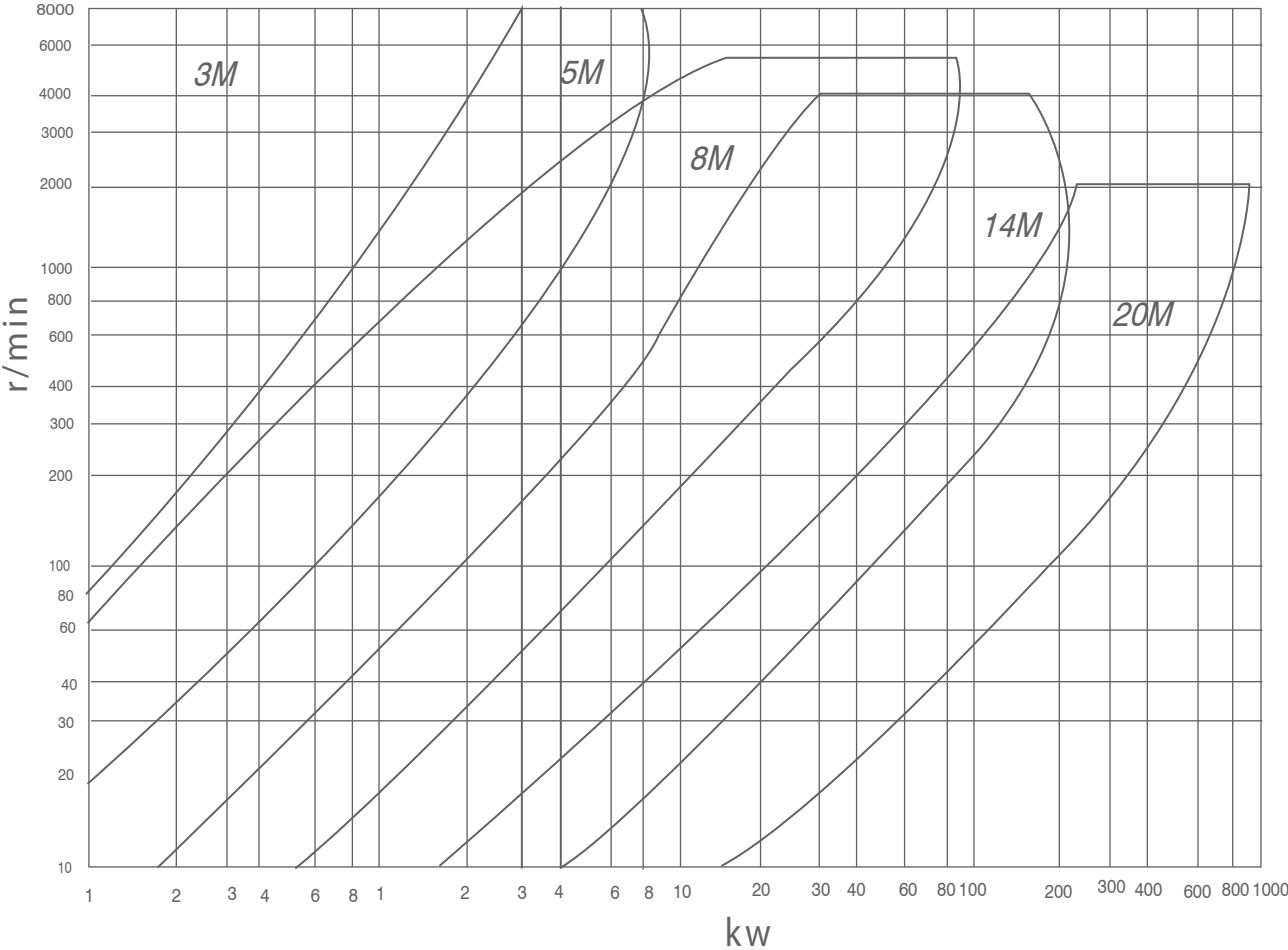


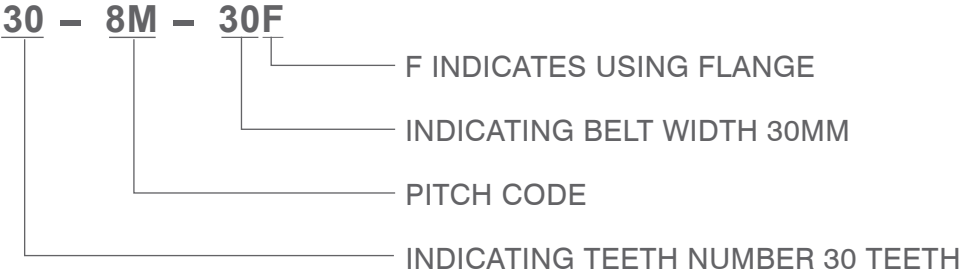
HTP *Timing pulley*

DESIGN HORSEPOWER (HORSEPOWER SERVICE FACTOR)

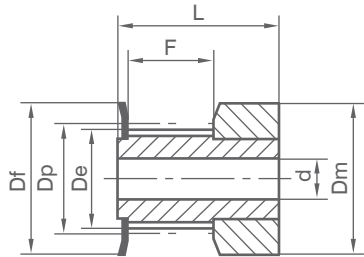


SPECIFICATION AND TYPE FOR TIMING BELT PULLEY

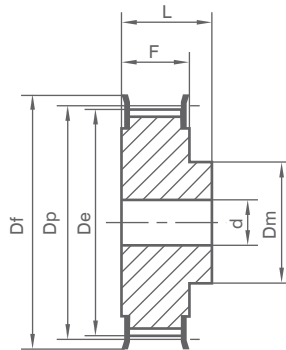
EXAMPLE:



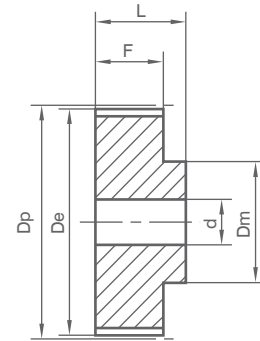
HTP *Timing pulley*



TYPE 1F
C45/LY12



TYPE 2F
C45/LY12

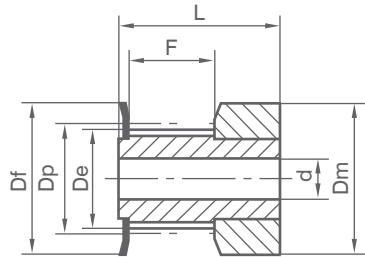


TYPE 2
C45/LY12

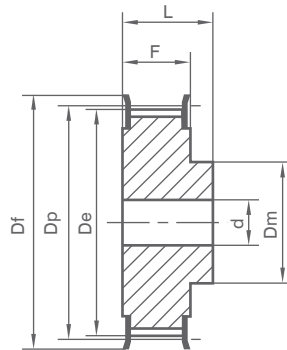
HTP 3M-06

SPCFCTN	TYPE	Z	Dp	De	Df	Dm	F	L	d
10-3M-06F	1F	10	9.55	8.79	13	13.0	7.2	14.5	3
12-3M-06F	1F	12	11.46	10.70	15	15.0	7.2	14.5	4
14-3M-06F	1F	14	13.37	12.61	16	16.0	7.2	14.5	4
15-3M-06F	1F	15	14.32	13.56	17.5	17.5	7.2	14.5	4
16-3M-06F	2F	16	15.28	14.52	18	10.0	9.8	17.5	6.0
18-3M-06F	2F	18	17.19	16.43	19.5	11.0	9.8	17.5	6.0
20-3M-06F	2F	20	19.10	18.34	23	13.0	9.8	17.5	6.0
21-3M-06F	2F	21	20.05	19.29	25	14.0	9.8	17.5	6.0
22-3M-06F	2F	22	21.01	20.25	25	14.0	9.8	17.5	6.0
24-3M-06F	2F	24	22.92	22.16	25	14.0	9.8	17.5	6.0
26-3M-06F	2F	26	24.83	24.07	28	16.0	9.8	17.5	6.0
28-3M-06F	2F	28	26.74	25.98	32	18.0	9.8	17.5	6.0
30-3M-06F	2F	30	28.65	27.89	32	20.0	9.8	17.5	6.0
32-3M-06F	2F	32	30.56	29.80	37	22.0	9.8	17.5	6.0
36-3M-06F	2F	36	34.38	33.62	38	25.0	10.3	18.0	6.0
40-3M-06F	2F	40	38.20	37.44	43	28.0	10.3	18.0	6.0
44-3M-06F	2F	44	42.02	41.26	48	33.0	10.3	18.0	6.0
48-3M-06	2	48	45.84	45.08	—	33.0	10.3	18.6	8.0
60-3M-06	2	60	57.30	56.54	—	33.0	10.3	18.6	8.0
72-3M-06	2	72	68.75	67.99	—	33.0	10.3	18.6	8.0

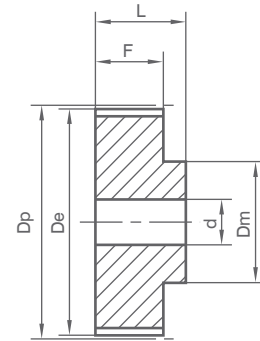
HTP *Timing pulley*



TYPE 1F
C45/LY12



TYPE 2F
C45/LY12

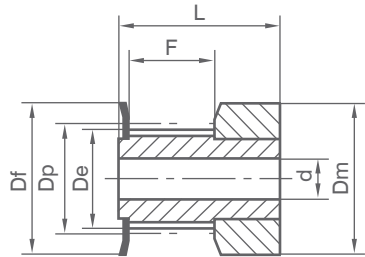


TYPE 2
C45/LY12

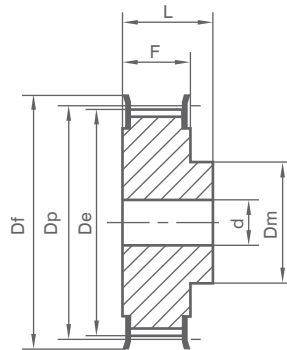
HTP 3M-09

SPCFCTN	TYPE	Z	Dp	De	Df	Dm	F	L	d
10-3M-09F	1F	10	9.55	8.79	13	12	10.2	17.5	
12-3M-09F	1F	12	11.46	10.70	15	15	10.2	17.5	
14-3M-09F	1F	14	13.37	12.61	16	16	10.2	17.5	
15-3M-09F	1F	15	14.32	13.56	17.5	17.5	10.2	17.5	
16-3M-09F	2F	16	15.28	14.52	18	10	12.8	20.6	4
18-3M-09F	2F	18	17.19	16.43	19.5	11	12.8	20.6	6
20-3M-09F	2F	20	19.10	18.34	23	13	12.8	20.6	6
21-3M-09F	2F	21	20.05	19.29	25	14	12.8	20.6	6
22-3M-09F	2F	22	21.01	20.25	25	14	12.8	20.6	6
24-3M-09F	2F	24	22.92	22.16	25	14	12.8	20.6	6
26-3M-09F	2F	26	24.83	24.07	28	16	12.8	20.6	6
28-3M-09F	2F	28	26.74	25.98	32	18	12.8	20.6	6
30-3M-09F	2F	30	28.65	27.89	32	20	12.8	20.6	6
32-3M-09F	2F	32	30.56	29.80	37	22	12.8	20.6	6
36-3M-09F	2F	36	34.38	33.62	38	26	13.4	22.2	6
40-3M-09F	2F	40	38.20	37.44	43	28	13.4	22.2	6
44-3M-09F	2F	44	42.02	41.26	48	33	13.4	22.2	6
48-3M-09	2	48	45.84	45.08	—	33	13.4	22.2	8
60-3M-09	2	60	57.30	56.54	—	33	13.4	22.2	8
72-3M-09	2	72	68.76	68	—	33	13.4	22.2	8

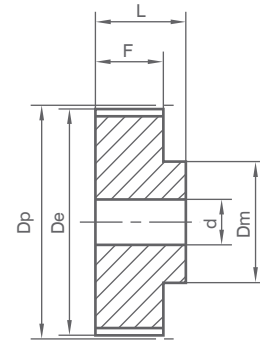
HTP *Timing pulley*



TYPE 1F
C45/LY12



TYPE 2F
C45/LY12

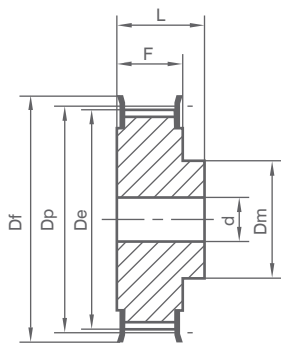


TYPE 2
C45/LY12

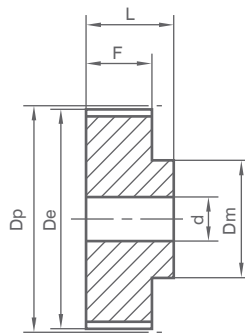
HTP 3M-15

SPCFCTN	TYPE	Z	Dp	De	Df	Dm	F	L	d
10-3M-15F	1F	10	9.55	8.79	13	12	17.0	26	
12-3M-15F	1F	12	11.46	10.70	15	15	17.0	26	
14-3M-15F	1F	14	13.37	12.61	16	16	17.0	26	
15-3M-15F	1F	15	14.32	13.56	17.5	17.5	17.0	26	
16-3M-15F	2F	16	15.28	14.52	18	10	19.5	26	4
18-3M-15F	2F	18	17.19	16.43	19.5	11	19.5	26	6
20-3M-15F	2F	20	19.10	18.34	23	13	19.5	26	6
21-3M-15F	2F	21	20.05	19.29	25	14	19.5	26	6
22-3M-15F	2F	22	21.01	20.25	25	14	19.5	26	6
24-3M-15F	2F	24	22.92	22.16	25	14	19.5	26	6
26-3M-15F	2F	26	24.83	24.07	28	16	19.5	26	6
28-3M-15F	2F	28	26.74	25.98	32	18	19.5	26	6
30-3M-15F	2F	30	28.65	27.89	32	20	19.5	26	6
32-3M-15F	2F	32	30.56	29.80	37	22	19.5	26	6
36-3M-15F	2F	36	34.38	33.62	38	26	20.0	30	6
40-3M-15F	2F	40	38.20	37.44	43	28	20.0	30	6
44-3M-15F	2F	44	42.02	41.26	48	33	20.0	30	6
48-3M-15	2	48	45.84	45.08	—	33	20.0	30	8
60-3M-15	2	60	57.30	56.54	—	33	20.0	30	8
72-3M-15	2	72	68.76	68	—	33	20.0	30	8

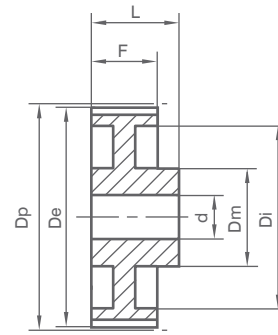
HTP *Timing pulley*



TYPE 2F
C45/LY12



TYPE 2
C45/LY12

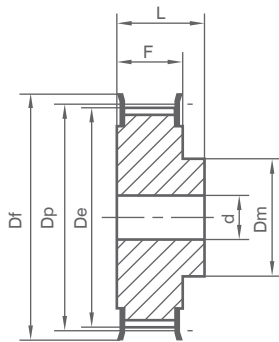


TYPE 4
C45/LY12

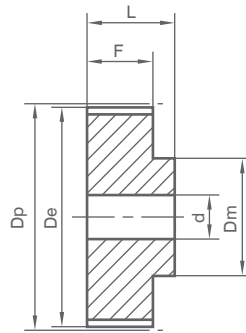
HTP 5M-09

SPCFCTN	TYPE	Z	Dp	De	Df	Dm	F	L	d
12-5M-09F	2F	12	19.10	17.96	23	12.5	14.5	20.0	6
14-5M-09F	2F	14	22.28	21.14	25	13.5	14.5	20.0	6
15-5M-09F	2F	15	23.87	22.73	28	15.5	14.5	20.0	6
16-5M-09F	2F	16	25.46	24.32	28	16.5	14.5	20.0	6
18-5M-09F	2F	18	28.65	27.51	32	20	14.5	20.0	6
20-5M-09F	2F	20	31.83	30.69	37	23.0	14.5	22.5	6
21-5M-09F	2F	21	33.42	32.28	38	24.0	14.5	22.5	6
22-5M-09F	2F	22	35.01	33.87	38	25.5	14.5	22.5	6
24-5M-09F	2F	24	38.20	37.06	43	27.0	14.5	22.5	6
26-5M-09F	2F	26	41.38	40.24	44	30.0	14.5	22.5	6
28-5M-09F	2F	28	44.56	43.42	48	30.5	14.5	22.5	6
30-5M-09F	2F	30	47.75	46.60	51	35.0	14.5	22.5	6
32-5M-09F	2F	32	50.93	49.79	54	38.0	14.5	22.5	8
36-5M-09F	2F	36	57.30	56.16	60	38.0	14.5	22.5	8
40-5M-09F	2F	40	63.66	62.52	70	38.0	14.5	22.5	8
44-5M-09	2	44	70.03	68.89	—	38.0	14.5	25.5	8
48-5M-09	4	48	76.39	75.25	—	45.0	14.5	25.5	8
60-5M-09	4	60	95.49	94.35	—	45.0	14.5	25.5	8
72-5M-09	4	72	114.59	113.45	—	45.0	14.5	25.5	8

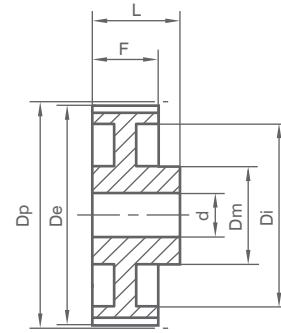
HTP *Timing pulley*



TYPE 2F
C45/LY12



TYPE 2
C45/LY12

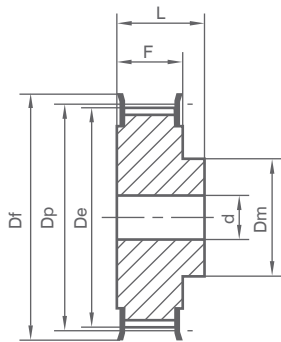


TYPE 4
C45/LY12

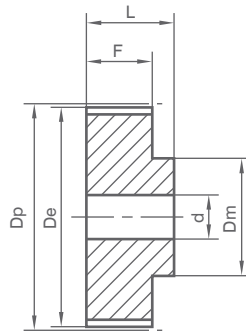
HTP 5M-15

SPCFCTN	TYPE	Z	Dp	De	Df	Dm	F	L	d
12-5M-15F	2F	12	19.10	17.96	23	13.0	20.5	26	6
14-5M-15F	2F	14	22.28	21.14	25	14.0	20.5	26	6
15-5M-15F	2F	15	23.87	22.73	28	16.0	20.5	26	6
16-5M-15F	2F	16	25.46	24.32	28	16.5	20.5	26	6
18-5M-15F	2F	18	28.65	27.51	32	20.0	20.5	26	6
20-5M-15F	2F	20	31.83	30.69	37	23.0	20.5	26	6
21-5M-15F	2F	21	33.42	32.28	38	24.0	20.5	26	6
22-5M-15F	2F	22	35.01	33.87	38	25.5	20.5	26	6
24-5M-15F	2F	24	38.20	37.06	43	27.0	20.5	28	6
26-5M-15F	2F	26	41.38	40.24	44	30.0	20.5	28	6
28-5M-15F	2F	28	44.56	43.42	48	30.5	20.5	28	6
30-5M-15F	2F	30	47.75	46.60	51	35.0	20.5	28	6
32-5M-15F	2F	32	50.93	49.79	54	38.0	20.5	28	8
36-5M-15F	2F	36	57.30	56.16	60	38.0	20.5	28	8
40-5M-15F	2F	40	63.66	62.52	70	38.0	20.5	28	8
44-5M-15	2	44	70.03	68.89	—	38.0	20.5	30	8
48-5M-15	4	48	76.39	75.25	—	38.0	20.5	30	8
60-5M-15	4	60	95.49	94.35	—	50.0	20.5	30	8
72-5M-15	4	72	114.59	113.45	—	50.0	20.5	30	8

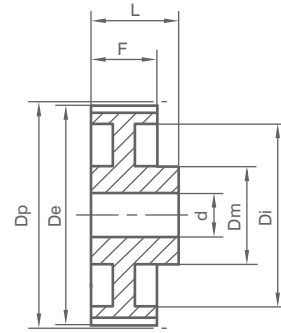
HTP *Timing pulley*



TYPE 2F
C45/LY12



TYPE 2
C45/LY12

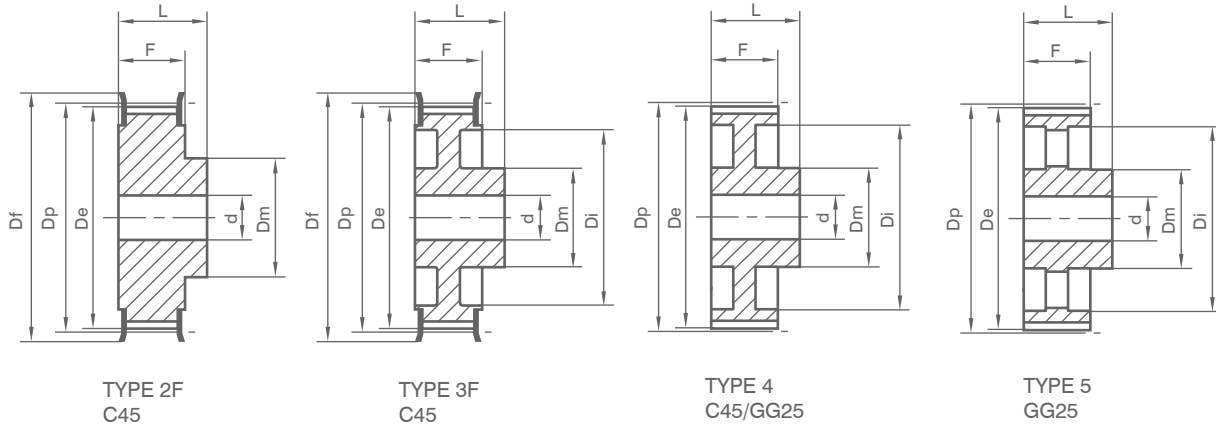


TYPE 4
C45/LY12

HTP 5M-25

SPCFCTN	TYPE	Z	Dp	De	Df	Dm	F	L	d
12-5M-25F	2F	12	19.10	17.96	23	13.0	30.5	36.0	6
14-5M-25F	2F	14	22.28	21.14	25	14.0	30.5	36.0	6
15-5M-25F	2F	15	23.87	22.73	28	16.0	30.5	36.0	6
16-5M-25F	2F	16	25.46	24.32	28	16.5	30.5	36.0	6
18-5M-25F	2F	18	28.65	27.51	32	20.0	30.5	36.0	6
20-5M-25F	2F	20	31.83	30.69	37	23.0	30.5	36.0	6
21-5M-25F	2F	21	33.42	32.28	38	24.0	30.5	38.0	6
22-5M-25F	2F	22	35.01	33.87	38	25.5	30.5	38.0	6
24-5M-25F	2F	24	38.20	37.06	43	27.0	30.5	38.0	6
26-5M-25F	2F	26	41.38	40.24	44	30.0	30.5	38.0	6
28-5M-25F	2F	28	44.56	43.42	48	30.5	30.5	38.0	6
30-5M-25F	2F	30	47.75	46.60	51	35.0	30.5	38.0	6
32-5M-25F	2F	32	50.93	49.79	54	38.0	30.5	38.0	8
36-5M-25F	2F	36	57.30	56.16	60	38.0	30.5	38.0	8
40-5M-25F	2F	40	63.66	62.52	70	38.0	30.5	38.0	8
44-5M-25	2	44	70.03	68.89	—	38.0	30.5	40.0	8
48-5M-25	4	48	76.39	75.25	—	38.0	30.5	40.0	8
60-5M-25	4	60	95.49	94.35	—	50.0	30.5	40.0	8
72-5M-25	4	72	114.59	113.45	—	50.0	30.5	40.0	8

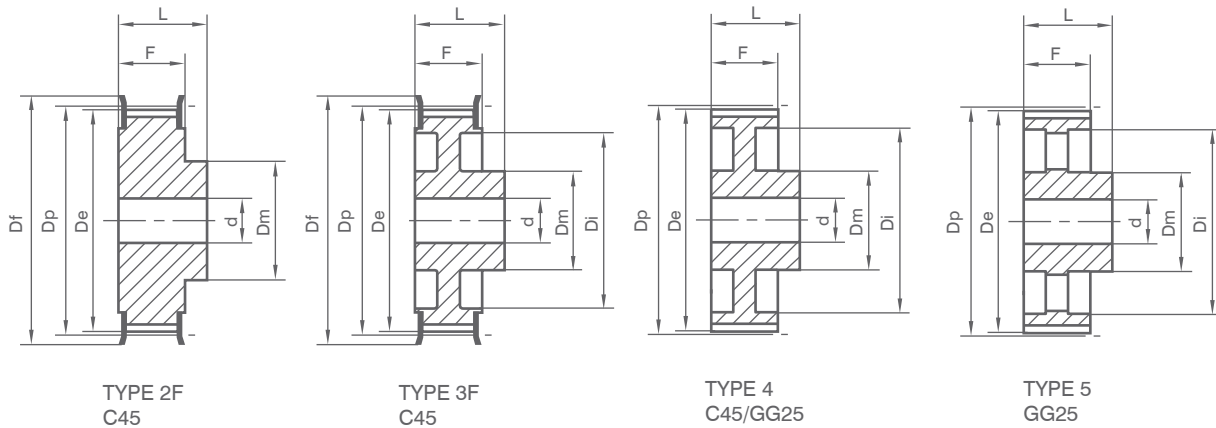
HTP *Timing pulley*



HTP 8M-20

SPCFCTN	TYPE	Z	Dp	De	Df	Dm	DI	F	L	d
22-8M-20F	2F	22	56.02	54.65	60	43	—	28	38	12
24-8M-20F	2F	24	61.11	59.74	67	45	—	28	38	12
26-8M-20F	2F	26	66.21	64.84	70	48	—	28	38	12
28-8M-20F	2F	28	71.30	70.08	75	50	—	28	38	14
30-8M-20F	2F	30	76.39	75.13	83	55	—	28	38	14
32-8M-20F	2F	32	81.49	80.16	87	60	—	28	38	14
34-8M-20F	2F	34	86.58	85.21	91	66	—	28	38	14
36-8M-20F	2F	36	91.67	90.30	97	70	—	28	38	14
38-8M-20F	2F	38	96.77	95.39	102	75	—	28	38	14
40-8M-20F	2F	40	101.86	100.49	112	75	—	28	38	14
44-8M-20F	2F	44	112.05	110.67	120	75	—	28	38	14
48-8M-20F	2F	48	122.23	120.86	128	75	—	28	38	14
56-8M-20F	3F	56	142.60	141.23	150	80	116	28	38	14
64-8M-20F	3F	64	162.97	161.60	168	80	137	28	38	14
72-8M-20F	3F	72	183.35	181.97	192	80	158	28	38	14
80-8M-20	4	80	203.72	202.35	—	90	180	28	38	14
90-8M-20	4	90	229.18	227.81	—	90	204	28	38	14
112-8M-20	5	112	285.21	283.83	—	90	254	28	38	18
144-8M-20	5	144	366.69	365.32	—	90	336	28	38	20
168-8M-20	5	168	427.81	426.44	—	100	400	28	38	20
192-8M-20	5	192	488.92	487.55	—	100	460	28	38	20

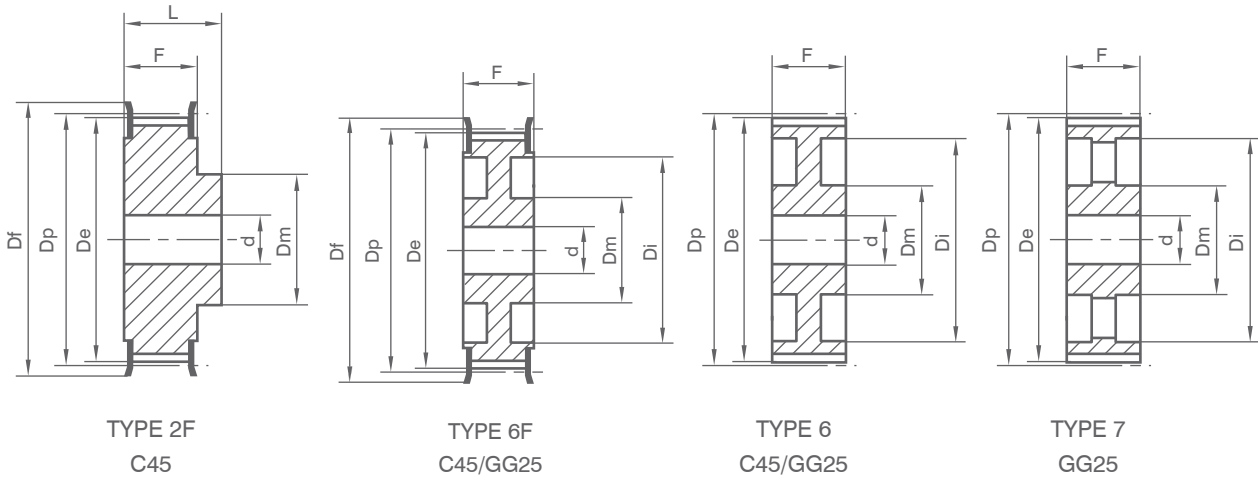
HTP *Timing pulley*



HTP 8M-30

SPCFCTN	TYPE	Z	Dp	De	Df	Dm	DI	F	L	d
22-8M-30F	2F	22	56.02	54.65	60	43	—	38	48	12
24-8M-30F	2F	24	61.11	59.74	67	45	—	38	48	12
26-8M-30F	2F	26	66.21	64.85	70	48	—	38	48	12
28-8M-30F	2F	28	71.30	70.08	75	50	—	38	48	14
30-8M-30F	2F	30	76.39	75.13	83	55	—	38	48	14
32-8M-30F	2F	32	81.49	80.16	87	60	—	38	48	14
34-8M-30F	2F	34	86.58	85.21	91	66	—	38	48	14
36-8M-30F	2F	36	91.67	90.30	97	70	—	38	48	14
38-8M-30F	2F	38	96.77	95.39	102	75	—	38	48	14
40-8M-30F	2F	40	101.86	100.49	112	75	—	38	48	14
44-8M-30F	2F	44	112.05	110.67	120	75	—	38	48	14
48-8M-30F	2F	48	122.23	120.86	128	75	—	38	48	14
56-8M-30F	3F	56	142.60	141.23	150	90	116	38	48	14
64-8M-30F	3F	64	162.97	161.60	168	90	137	38	48	14
72-8M-30F	3F	72	183.35	181.97	192	95	158	38	48	14
80-8M-30	4	80	203.72	202.35	—	100	180	38	48	14
90-8M-30	4	90	229.18	227.81	—	100	204	38	48	14
112-8M-30	5	112	285.21	283.83	—	100	254	38	48	18
144-8M-30	5	144	366.69	365.32	—	100	336	38	48	20
168-8M-30	5	168	427.81	426.44	—	100	400	38	48	20
192-8M-30	5	192	488.92	487.55	—	100	460	38	48	20

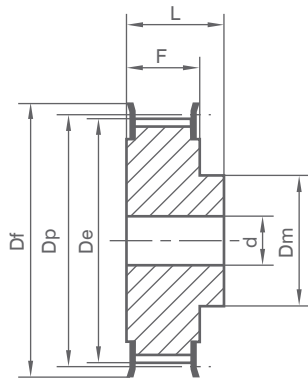
HTP *Timing pulley*



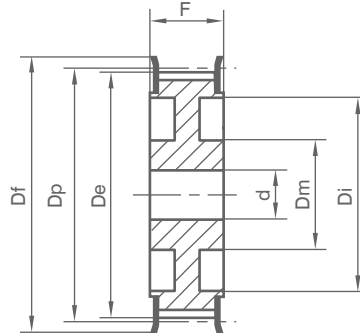
HTP 8M-50

SPCFCTN	TYPE	Z	Dp	De	Df	Dm	DI	F	L	d
22-8M-50F	2F	22	56.02	54.65	60	43	—	60	70	12
24-8M-50F	2F	24	61.11	59.74	67	45	—	60	70	12
26-8M-50F	2F	26	66.21	64.84	70	48	—	60	70	12
28-8M-50F	2F	28	71.3	70.08	75	50	—	60	70	14
30-8M-50F	2F	30	76.39	75.13	83	55	—	60	70	14
32-8M-50F	2F	32	81.49	80.16	87	60	—	60	70	14
34-8M-50F	2F	34	86.58	85.21	91	66	—	60	70	14
36-8M-50F	2F	36	91.67	90.30	97	70	—	60	70	14
38-8M-50F	2F	38	96.77	95.39	102	75	—	60	70	14
40-8M-50F	2F	40	101.86	100.49	112	75	—	60	70	14
44-8M-50F	2F	44	112.05	110.67	120	75	—	60	70	14
48-8M-50F	2F	48	122.23	120.86	128	75	—	60	70	14
56-8M-50F	6F	56	142.60	141.23	150	90	116	60	60	18
64-8M-50F	6F	64	162.97	161.60	168	100	137	60	60	18
72-8M-50F	6F	72	183.35	181.97	192	100	158	60	60	18
80-8M-50	6	80	203.72	202.35	—	110	180	60	60	18
90-8M-50	6	90	229.18	227.81	—	110	204	60	60	18
112-8M-50	7	112	285.21	283.83	—	110	254	60	60	18
144-8M-50	7	144	366.69	365.32	—	110	336	60	60	20
168-8M-50	7	168	427.81	426.44	—	120	400	60	60	20
192-8M-50	7	192	488.92	487.55	—	130	460	60	60	20

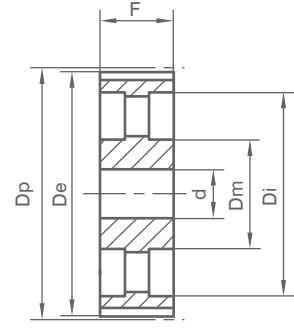
HTP *Timing pulley*



TYPE 2F
C45



TYPE 6F
C45/GG25

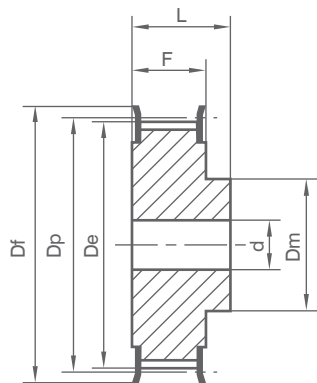


TYPE 7
GG25

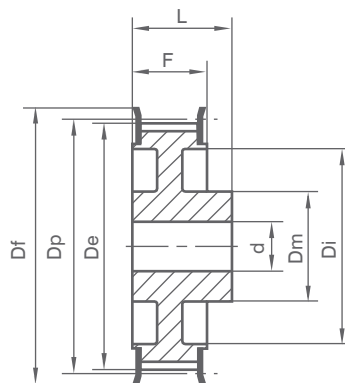
HTP 8M-85

SPCFCTN	TYPE	Z	Dp	De	Df	Dm	Di	F	L	d
22-8M-85F	2F	22	56.02	54.65	60	43	—	95	105	12
24-8M-85F	2F	24	61.12	59.75	67	45	—	95	105	12
26-8M-85F	2F	26	66.21	64.84	70	48	—	95	105	12
28-8M-85F	2F	28	71.3	70.08	75	50	—	95	105	14
30-8M-85F	2F	30	76.39	75.13	83	55	—	95	105	14
32-8M-85F	2F	32	81.49	80.16	87	60	—	95	105	14
34-8M-85F	2F	34	86.58	85.22	91	66	—	95	105	14
36-8M-85F	2F	36	91.67	90.30	97	70	—	95	105	14
38-8M-85F	2F	38	96.77	95.39	102	75	—	95	105	14
40-8M-85F	2F	40	101.86	100.49	112	75	—	95	105	14
44-8M-85F	2F	44	112.05	110.67	120	75	—	95	105	14
48-8M-85F	2F	48	122.23	120.86	128	75	—	95	105	14
56-8M-85F	2F	56	142.60	141.23	150	80	—	95	105	18
64-8M-85F	6F	64	162.97	161.60	168	100	137	95	95	18
72-8M-85F	6F	72	183.35	181.97	192	110	158	95	95	18
80-8M-85	7	80	203.72	202.35	—	110	180	95	95	20
90-8M-85	7	90	229.18	227.81	—	110	204	95	95	20
112-8M-85	7	112	285.21	283.83	—	110	254	95	95	24
144-8M-85	7	144	366.69	365.32	—	120	336	95	95	24
168-8M-85	7	168	427.81	426.44	—	120	400	95	95	24
192-8M-85	7	192	488.92	487.55	—	130	460	95	95	24

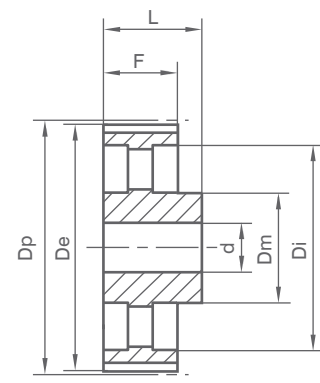
HTP *Timing pulley*



TYPE 2F
C45



TYPE 3F
C45/GG25

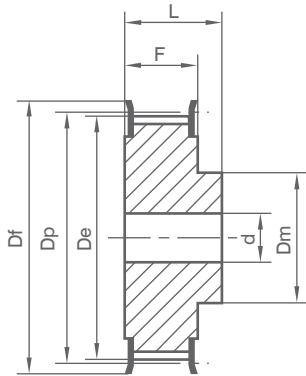


TYPE 5
GG25

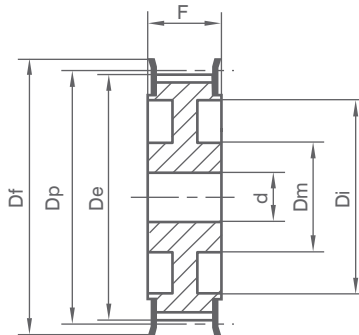
HTP 14M-40

SPCFCTN	TYPE	Z	Dp	De	Df	Dm	Di	F	L	d
28-14M-40F	2F	28	124.78	122.12	135	100	—	54	69	24
29-14M-40F	2F	29	129.23	126.57	150	100	—	54	69	24
30-14M-40F	2F	30	133.69	130.99	150	100	—	54	69	24
32-14M-40F	2F	32	142.60	139.88	168	100	—	54	69	24
34-14M-40F	2F	34	151.52	148.79	168	100	—	54	69	24
36-14M-40F	2F	36	160.43	157.68	175	100	—	54	69	24
38-14M-40F	2F	38	169.34	166.60	192	120	—	54	69	24
40-14M-40F	2F	40	178.25	175.49	200	120	—	54	69	24
44-14M-40F	2F	44	196.08	193.28	211	120	—	54	69	24
48-14M-40F	3F	48	213.90	211.11	226	135	170	54	69	24
56-14M-40F	3F	56	249.55	246.76	265	135	207	54	69	28
64-14M-40F	3F	64	285.21	282.41	296	135	240	54	69	28
72-14M-40	5	72	320.86	318.06	—	135	278	54	69	28
80-14M-40	5	80	356.51	353.71	—	135	314	54	69	28
90-14M-40	5	90	401.07	398.28	—	135	358	54	69	28
112-14M-40	5	112	499.11	496.32	—	135	456	54	69	28
144-14M-40	5	144	641.71	638.92	—	135	600	54	69	28
168-14M-40	5	168	748.66	745.87	—	135	706	54	69	28
192-14M-40	5	192	855.62	852.82	—	135	813	54	69	28
216-14M-40	5	216	962.57	959.76	—	150	920	54	69	28

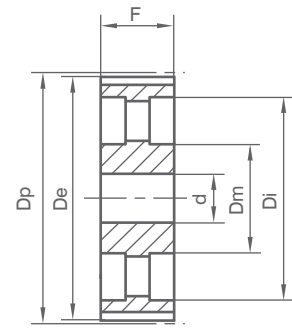
HTP *Timing pulley*



TYPE 2F
C45



TYPE 6F
C45/GG25

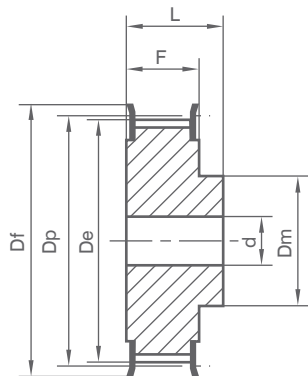


TYPE 7
GG25

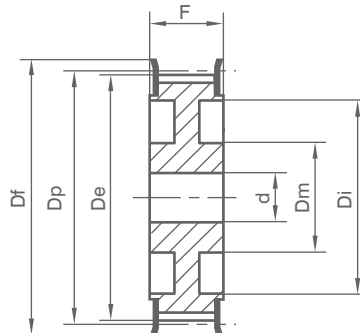
HTP 14M-55

SPCFCTN	TYPE	Z	Dp	De	Df	Dm	Di	F	L	d
28-14M-55F	2F	28	124.78	122.12	135	100	—	70	85	24
29-14M-55F	2F	29	129.23	126.57	150	100	—	70	85	24
30-14M-55F	2F	30	133.69	130.99	150	100	—	70	85	24
32-14M-55F	2F	32	142.60	139.88	168	100	—	70	85	24
34-14M-55F	2F	34	151.52	148.79	168	100	—	70	85	24
36-14M-55F	2F	36	160.43	157.68	175	100	—	70	85	24
38-14M-55F	2F	38	169.34	166.60	192	120	—	70	85	24
40-14M-55F	2F	40	178.25	175.49	200	120	—	70	85	24
44-14M-55F	2F	44	196.08	193.28	211	120	—	70	85	24
48-14M-55F	6F	48	213.90	211.11	226	135	170	70	70	24
56-14M-55F	6F	56	249.55	246.76	265	135	207	70	70	28
64-14M-55F	6F	64	285.21	282.41	296	135	240	70	70	28
72-14M-55	7	72	320.86	318.06	—	135	278	70	70	28
80-14M-55	7	80	356.51	353.71	—	135	314	70	70	28
90-14M-55	7	90	401.07	398.28	—	135	358	70	70	28
112-14M-55	7	112	499.11	496.32	—	135	456	70	70	28
144-14M-55	7	144	641.71	638.92	—	135	600	70	70	28
168-14M-55	7	168	748.66	745.87	—	135	706	70	70	28
192-14M-55	7	192	855.62	852.82	—	135	813	70	70	28
216-14M-55	7	216	962.57	959.76	—	150	920	70	70	28

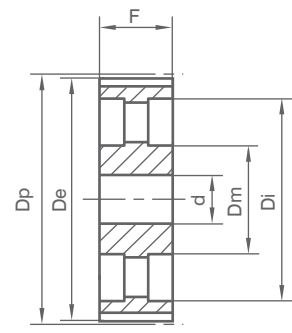
HTP *Timing pulley*



TYPE 2F
C45



TYPE 6F
C45/GG25

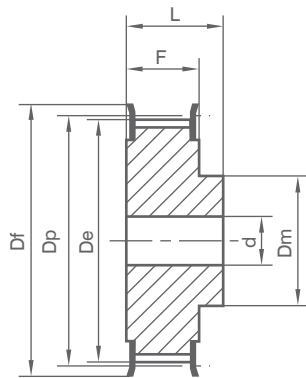


TYPE 7
GG25

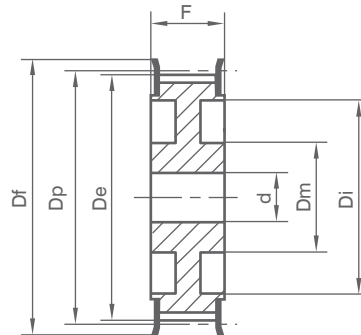
HTP 14M-85

SPCFCTN	TYPE	Z	Dp	De	Df	Dm	DI	F	L	d
28-14M-85F	2F	28	124.78	122.12	135	100	—	102	117	24
29-14M-85F	2F	29	129.23	126.57	150	100	—	102	117	24
30-14M-85F	2F	30	133.69	130.99	150	100	—	102	117	24
32-14M-85F	2F	32	142.60	139.88	168	100	—	102	117	24
34-14M-85F	2F	34	151.52	148.79	168	100	—	102	117	24
36-14M-85F	2F	36	160.43	157.68	175	100	—	102	117	32
38-14M-85F	2F	38	169.34	166.60	192	120	—	102	117	32
40-14M-85F	2F	40	178.25	175.49	200	135	—	102	117	32
44-14M-85F	2F	44	196.08	193.28	211	135	—	102	117	32
48-14M-85F	2F	48	213.90	211.11	226	150	—	102	117	32
56-14M-85F	6F	56	249.55	246.76	265	150	207	102	102	32
64-14M-85F	6F	64	285.21	282.41	296	150	240	102	102	32
72-14M-85	7	72	320.86	318.06	—	150	278	102	102	32
80-14M-85	7	80	356.51	353.71	—	150	314	102	102	32
90-14M-85	7	90	401.07	398.28	—	150	358	102	102	32
112-14M-85	7	112	499.11	496.32	—	150	456	102	102	32
144-14M-85	7	144	641.71	638.92	—	150	600	102	102	32
168-14M-85	7	168	748.66	745.87	—	150	706	102	102	32
192-14M-85	7	192	855.62	852.82	—	165	813	102	102	32
216-14M-85	7	216	962.57	959.76	—	165	920	102	102	32

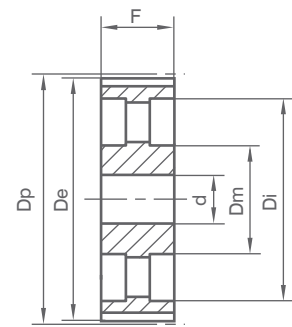
HTP *Timing pulley*



TYPE 2F
C45



TYPE 6F
C45/GG25

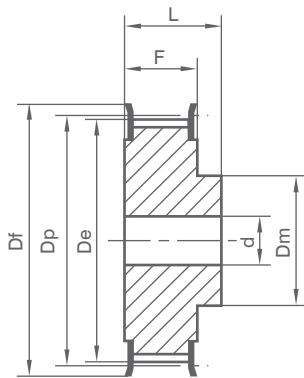


TYPE 7
GG25

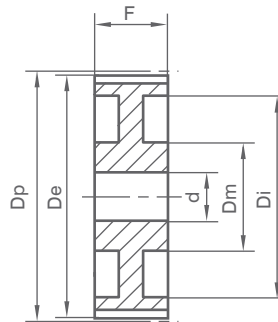
HTP 14M-115

SPCFCTN	TYPE	Z	Dp	De	Df	Dm	DI	F	L	d
28-14M-115F	2F	28	124.78	122.12	135	100	—	133	148	32
29-14M-115F	2F	29	129.23	126.57	150	100	—	133	148	32
30-14M-115F	2F	30	133.69	130.99	150	100	—	133	148	32
32-14M-115F	2F	32	142.60	139.88	168	100	—	133	148	32
34-14M-115F	2F	34	151.52	148.79	168	100	—	133	148	32
36-14M-115F	2F	36	160.43	157.68	175	120	—	133	148	32
38-14M-115F	2F	38	169.34	166.60	192	120	—	133	148	32
40-14M-115F	2F	40	178.25	175.49	200	135	—	133	148	32
44-14M-115F	2F	44	196.08	193.28	211	140	—	133	148	32
48-14M-115F	2F	48	213.90	211.11	226	150	—	133	148	32
56-14M-115F	2F	56	249.55	246.76	265	150	—	133	148	32
64-14M-115F	6F	64	285.21	282.41	296	150	240	133	133	32
72-14M-115	7	72	320.86	318.06	—	150	278	133	133	32
80-14M-115	7	80	356.51	353.71	—	150	314	133	133	32
90-14M-115	7	90	401.07	398.28	—	150	358	133	133	32
112-14M-115	7	112	499.11	496.32	—	150	456	133	133	32
144-14M-115	7	144	641.71	638.92	—	165	600	133	133	32
168-14M-115	7	168	748.66	745.87	—	165	706	133	133	32
192-14M-115	7	192	855.62	852.82	—	165	813	133	133	32
216-14M-115	7	216	962.57	959.76	—	165	920	133	133	32

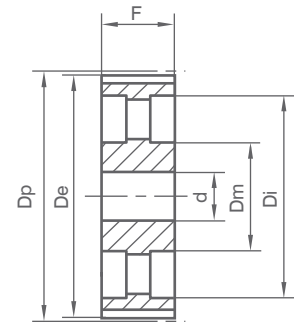
HTP *Timing pulley*



TYPE 2F
C45



TYPE 6
C45/GG25

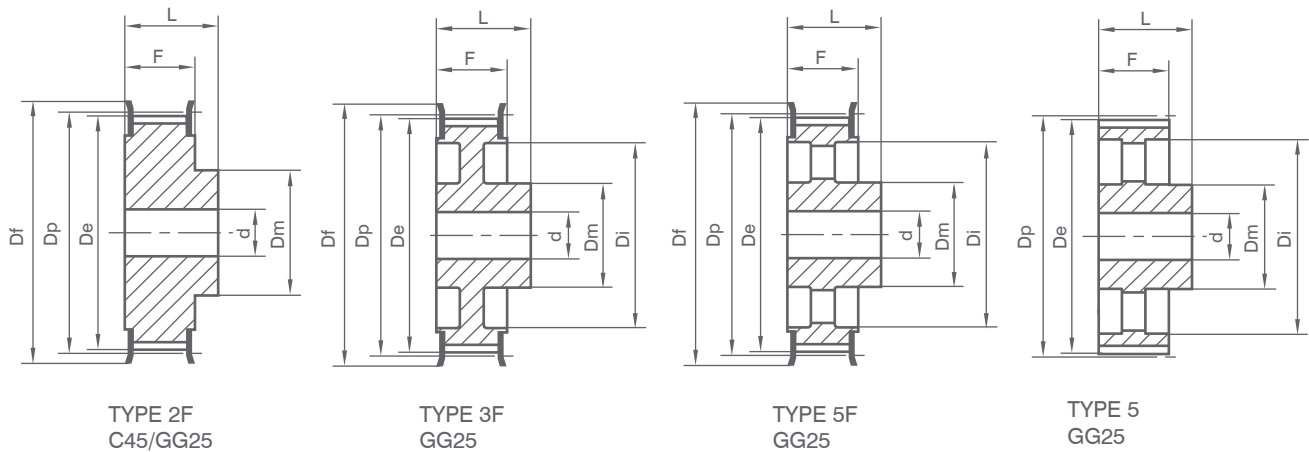


TYPE 7
GG25

HTP 14M-170

SPCFCTN	TYPE	Z	Dp	De	Df	Dm	Di	F	L	d
28-14M-170F	2F	28	124.78	122.12	135	100	—	187	202	32
29-14M-170F	2F	29	129.23	126.57	150	100	—	187	202	32
30-14M-170F	2F	30	133.69	130.99	150	100	—	187	202	32
32-14M-170F	2F	32	142.60	139.88	168	100	—	187	202	32
34-14M-170F	2F	34	151.52	148.79	168	100	—	187	202	32
36-14M-170F	2F	36	160.43	157.68	175	120	—	187	202	32
38-14M-170F	2F	38	169.34	166.60	192	135	—	187	202	32
40-14M-170F	2F	40	178.25	175.49	200	140	—	187	202	32
44-14M-170F	2F	44	196.08	193.28	211	160	—	187	202	32
48-14M-170F	2F	48	213.90	211.11	226	160	—	187	202	32
56-14M-170F	2F	56	249.55	246.76	265	160	—	187	202	32
64-14M-170F	2F	64	285.21	282.41	296	180	—	187	202	32
72-14M-170	6	72	320.86	318.06	—	180	278	187	187	32
80-14M-170	6	80	356.51	353.71	—	180	314	187	187	32
90-14M-170	7	90	401.07	398.28	—	180	358	187	187	38
112-14M-170	7	112	499.11	496.32	—	200	456	187	187	38
144-14M-170	7	144	641.71	638.92	—	220	600	187	187	38
168-14M-170	7	168	748.66	745.87	—	220	706	187	187	38
192-14M-170	7	192	855.62	852.82	—	220	813	187	187	38
216-14M-170	7	216	962.57	959.76	—	220	920	187	187	38

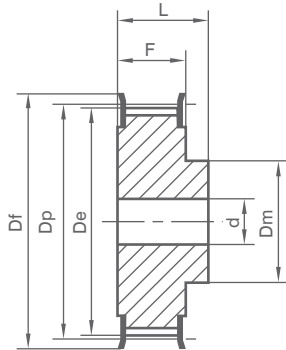
HTP *Timing pulley*



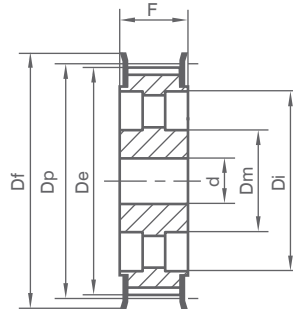
HTP 20M-115

SPCFCTN	TYPE	Z	Dp	De	Df	Dm	Di	F	L	d
34-20M-115F	2F	34	216.45	212.13	240	165	—	136.5	168.5	32
36-20M-115F	2F	36	229.18	224.87	250	178	—	136.5	168.5	32
38-20M-115F	2F	38	241.92	237.60	265	181	—	136.5	168.5	32
40-20M-115F	2F	40	254.56	250.33	275	203	—	136.5	168.5	32
44-20M-115F	2F	44	280.11	275.79	300	210	—	136.5	168.5	32
48-20M-115F	2F	48	305.88	301.26	325	228	—	136.5	168.5	32
52-20M-115F	2F	52	331.04	326.72	350	228	—	136.5	168.5	32
56-20M-115F	2F	56	356.51	352.19	375	228	—	136.5	168.5	32
60-20M-115F	3F	60	381.97	377.65	405	228	318	136.5	168.5	38
64-20M-115F	3F	64	407.44	403.12	430	228	343	136.5	168.5	38
68-20M-115F	3F	68	432.90	428.58	455	228	366	136.5	168.5	38
72-20M-115F	5F	72	458.37	454.05	480	228	435	136.5	168.5	38
80-20M-115F	5F	80	509.30	504.98	530	280	445	136.5	168.5	38
90-20M-115F	5F	90	572.96	568.64	595	280	508	136.5	168.5	38
112-20M-115	5	112	713.01	708.70	—	280	648	136.5	168.5	38
144-20M-115	5	144	916.73	912.41	—	300	852	136.5	168.5	44
168-20M-115	5	168	1069.52	1065.21	—	300	1005	136.5	168.5	44
192-20M-115	5	192	1222.31	1218.00	—	300	1158	136.5	168.5	48
216-20M-115	5	216	1375.10	1370.78	—	300	1300	136.5	168.5	48

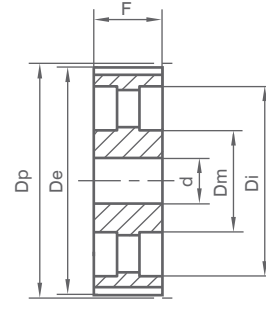
HTP *Timing pulley*



TYPE 2F
C45/GG25



TYPE 7F
GG45

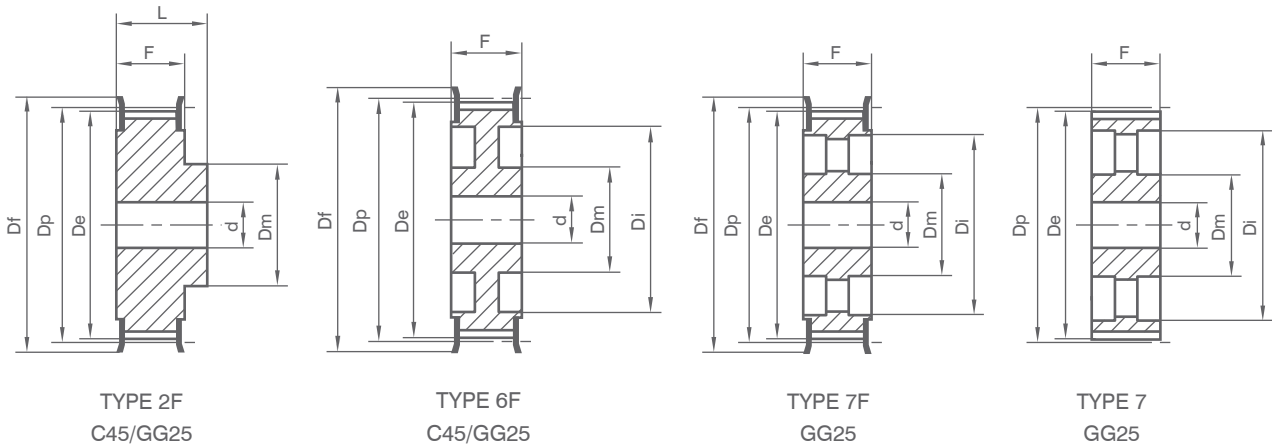


TYPE 7
GG25

HTP 20M-170

SPCFCTN	TYPE	Z	Dp	De	Df	Dm	DI	F	L	d
34-20M-170F	2F	34	216.45	212.13	240	165	—	190.5	222.5	32
36-20M-170F	2F	36	229.18	224.87	250	178	—	190.5	222.5	32
38-20M-170F	2F	38	241.92	237.60	265	181	—	190.5	222.5	32
40-20M-170F	2F	40	254.65	250.33	275	203	—	190.5	222.5	32
44-20M-170F	2F	44	280.11	275.79	300	210	—	190.5	222.5	32
48-20M-170F	2F	48	305.58	301.26	325	240	—	190.5	222.5	32
52-20M-170F	2F	52	331.04	326.72	350	280	—	190.5	222.5	32
56-20M-170F	2F	56	356.51	352.19	375	280	—	190.5	222.5	32
60-20M-170F	2F	60	381.97	377.65	405	280	—	190.5	222.5	38
64-20M-170F	2F	64	407.44	403.12	430	280	—	190.5	222.5	38
68-20M-170F	2F	68	432.90	428.58	455	280	—	190.5	222.5	38
72-20M-170F	7F	72	458.37	454.05	480	280	394	190.5	190.5	38
80-20M-170F	7F	80	509.30	504.98	530	280	445	190.5	190.5	38
90-20M-170F	7F	90	572.96	568.64	595	280	508	190.5	190.5	38
112-20M-170	7	112	713.01	708.70	—	300	648	190.5	190.5	38
144-20M-170	7	144	916.73	912.41	—	300	852	190.5	190.5	44
168-20M-170	7	168	1069.52	1065.21	—	350	1005	190.5	190.5	44
192-20M-170	7	192	1222.31	1218.00	—	350	1158	190.5	190.5	48
216-20M-170	7	216	1375.10	1371.78	—	350	1300	190.5	190.5	48

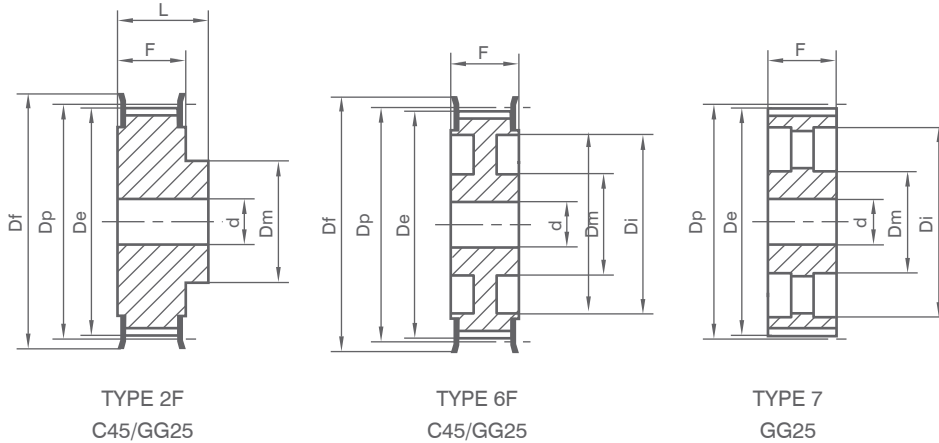
HTP *Timing pulley*



HTP 20M-230

SPCFCTN	TYPE	Z	Dp	De	Df	Dm	DI	F	L	d
38-20M-230F	2F	38	241.92	237.60	265	181	—	250.8	282.8	38
40-20M-230F	2F	40	254.65	250.33	275	203	—	250.8	282.8	38
44-20M-230F	2F	44	280.11	275.79	300	210	—	250.8	282.8	38
48-20M-230F	2F	48	305.58	301.26	325	228	—	250.8	282.8	38
52-20M-230F	2F	52	331.04	326.72	350	280	—	250.8	282.8	38
56-20M-230F	2F	56	356.51	352.19	375	280	—	250.8	282.8	38
60-20M-230F	2F	60	381.97	377.65	405	280	—	250.8	282.8	38
64-20M-230F	2F	64	407.44	403.12	430	300	—	250.8	282.8	38
68-20m-230F	2F	68	432.90	428.58	455	300	—	250.8	282.8	38
72-20M-230F	2F	72	458.37	454.05	480	300	—	250.8	282.8	38
80-20M-230F	6F	80	509.30	504.98	530	300	445	250.8	282.8	38
90-20M-230F	7F	90	572.96	568.64	595	300	508	250.8	282.8	38
112-20M-230	7	112	713.01	708.70	—	300	648	250.8	282.8	38
144-20M-230	7	144	916.73	912.41	—	350	852	250.8	282.8	44
168-20M-230	7	168	1069.52	1065.21	—	350	1005	250.8	282.8	44
192-20M-230	7	192	1222.31	1218.00	—	400	1158	250.8	282.8	48
216-20M-230	7	216	1375.10	1370.78	—	400	1300	250.8	282.8	48

HTP *Timing pulley*



HTP 20M-290

SPCFCTN	TYPE	Z	Dp	De	Df	Dm	DI	F	L	d
52-20M-290F	2F	52	331.04	326.72	350	280	—	311.2	343	38
56-20M-290F	2F	56	356.51	352.19	375	280	—	311.2	343	38
60-20M-290F	2F	60	381.97	377.65	405	300	—	311.2	343	38
64-20M-290F	2F	64	407.44	403.12	430	300	—	311.2	343	38
68-20m-290F	2F	68	432.90	428.58	455	300	—	311.2	343	38
72-20M-290F	2F	72	458.37	454.05	480	300	—	311.2	343	44
80-20M-290F	2F	80	509.30	504.98	530	300	—	311.2	343	44
90-20M-290F	6F	90	572.96	568.64	595	300	508	311.2	311.2	44
112-20M-290	7	112	713.01	708.70	—	350	648	311.2	311.2	48
144-20M-290	7	144	916.73	912.41	—	350	852	311.2	311.2	48
168-20M-290	7	168	1069.52	1065.21	—	400	1005	311.2	311.2	48
192-20M-290	7	192	1222.31	1218.00	—	400	1158	311.2	311.2	48
216-20M-290	7	216	1375.10	1370.78	—	400	1300	311.2	311.2	48

HTP 20M-340

SPCFCTN	TYPE	Z	Dp	De	Df	Dm	DI	F	L	d
52-20M-340F	2F	52	331.04	326.72	350	280	—	362	394	38
56-20M-340F	2F	56	356.51	352.19	375	280	—	362	394	38
60-20M-340F	2F	60	381.97	377.65	405	300	—	362	394	38
64-20M-340F	2F	64	407.44	403.12	430	300	—	362	394	44
68-20m-340F	2F	68	432.90	428.58	455	300	—	362	394	44
72-20M-340F	2F	72	458.37	454.05	480	300	—	362	394	44
80-20M-340F	2F	80	509.30	504.98	530	300	—	362	394	44
90-20M-340F	6F	90	572.96	568.64	595	350	508	362	394	48
112-20M-340	7	112	713.01	708.70	—	350	648	362	362	48
144-20M-340	7	144	916.73	912.41	—	400	852	362	362	48
168-20M-340	7	168	1069.52	1065.21	—	400	1005	362	362	48
192-20M-340	7	192	1222.31	1218.00	—	430	1158	362	362	48
216-20M-340	7	216	1375.10	1370.78	—	430	1300	362	362	48