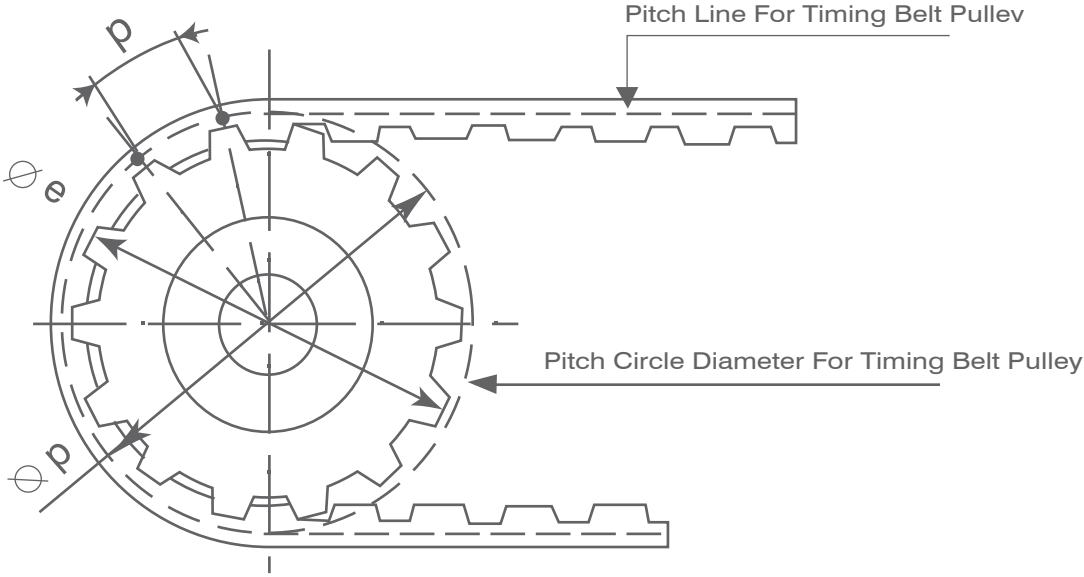


T/AT Timing pulley

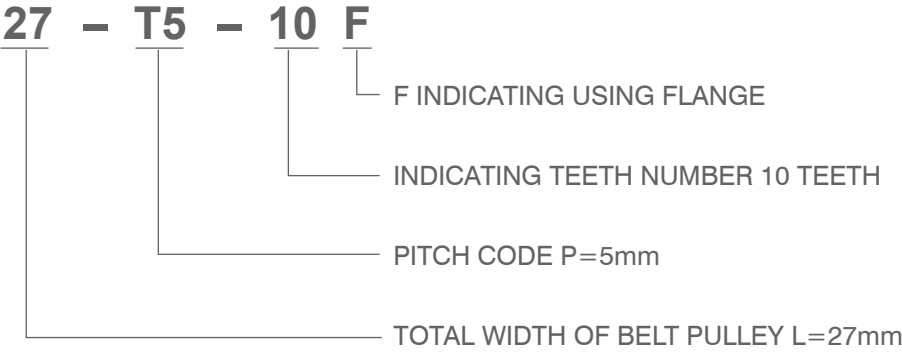


P=Pitch
 e=Actual Outer Circle Diameter For Timing Belt Pulley
 p=Pitch Circle Diameter For Timing Belt Pulley

Special Note
 T/AT timing belt pulleys are made of alloy aluminium
 Anodizing can be done according to the customers' requirements.

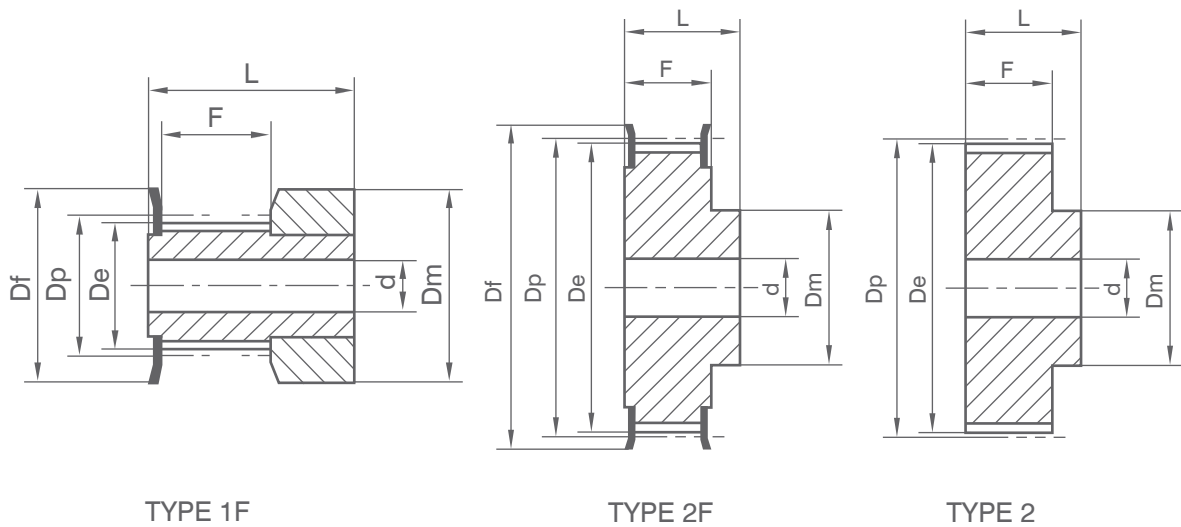
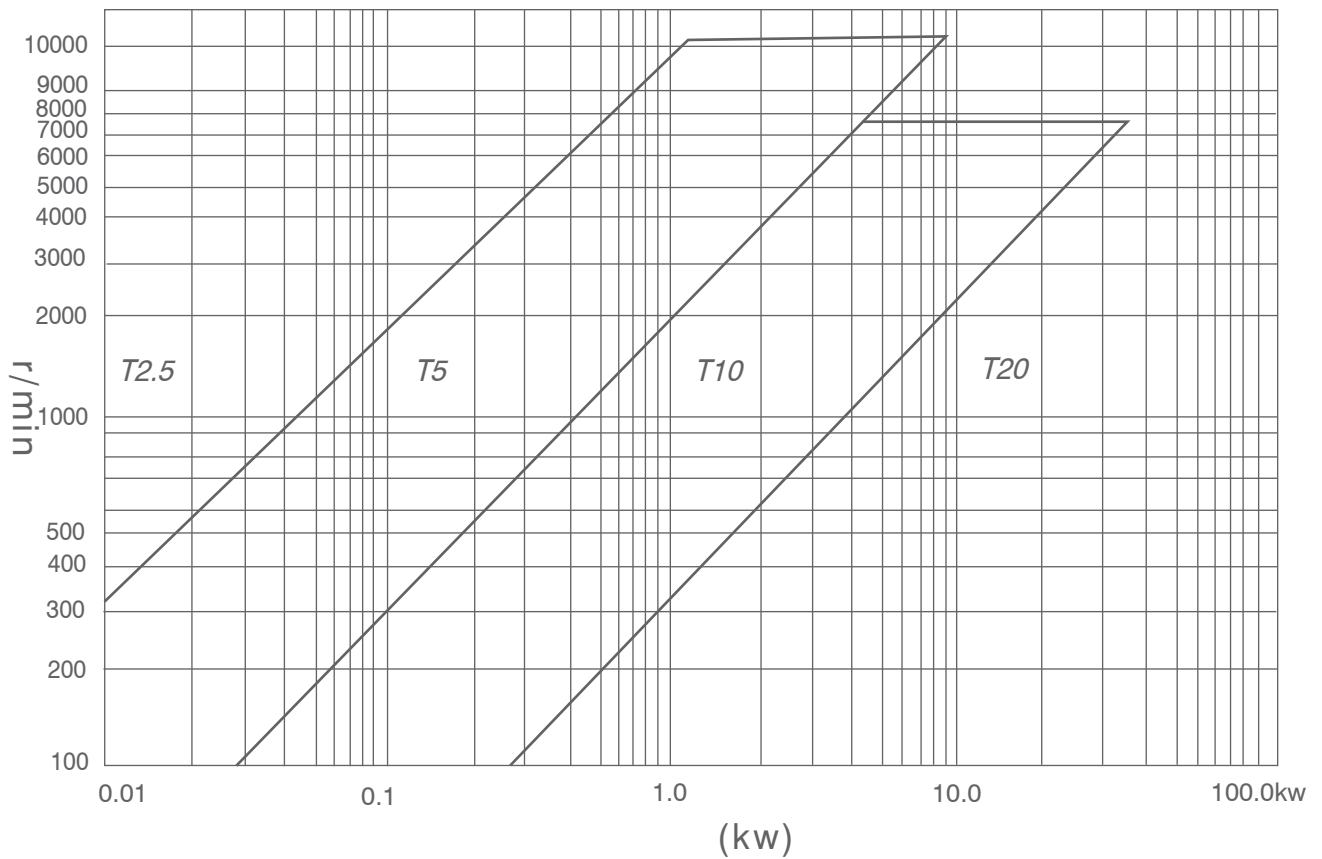
SPECIFICATION AND TYPE FOR TIMING BELT PULLEY

EXAMPLE:

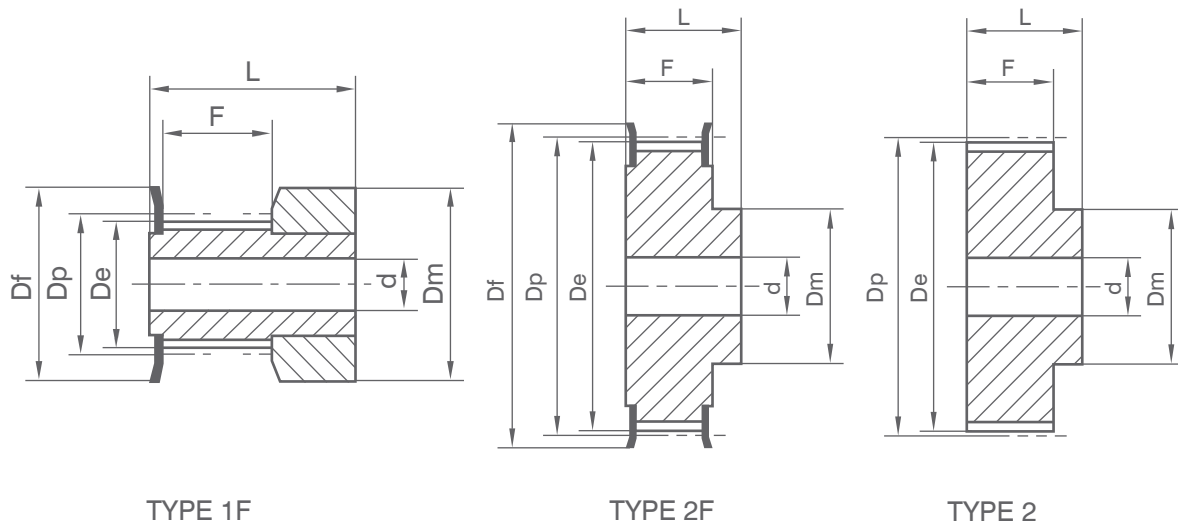


T/AT *Timing pulley*

DESIGN HORSEPOWER (HORSEPOWER SERVICE FACTOR)



T/AT *Timing pulley*

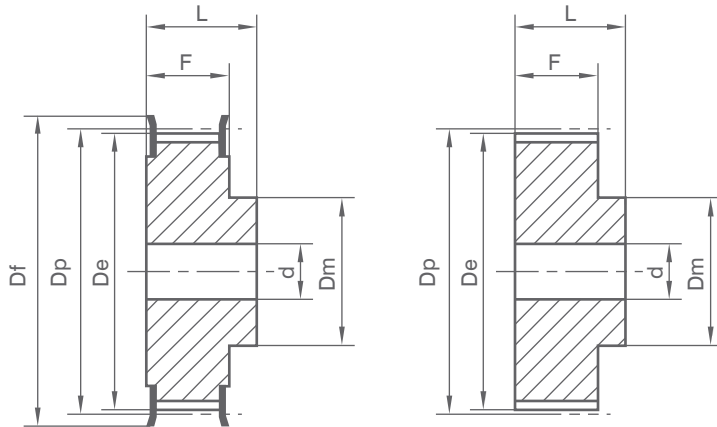


T2.5-16

PITCH=2.5mm FOR BELT WIDTH=6mm

| SPCFCTN | TYPE | Z | De | Df | Dm | F | L | d |
|-------------|------|----|-------|------|----|----|----|---|
| 16-T2.5-12F | 1F | 12 | 9.00 | 13 | 12 | 9 | 16 | - |
| 16-T2.5-14F | 1F | 14 | 10.60 | 15 | 14 | 9 | 16 | - |
| 16-T2.5-15F | 1F | 15 | 11.40 | 15 | 15 | 9 | 16 | - |
| 16-T2.5-16F | 1F | 16 | 12.2 | 16 | 16 | 9 | 16 | - |
| 16-T2.5-18F | 2F | 18 | 13.80 | 17.5 | 10 | 10 | 16 | - |
| 16-T2.5-19F | 2F | 19 | 14.60 | 18 | 10 | 10 | 16 | - |
| 16-T2.5-20F | 2F | 20 | 15.40 | 19.5 | 11 | 10 | 16 | - |
| 16-T2.5-22F | 2F | 22 | 17.00 | 23 | 11 | 10 | 16 | - |
| 16-T2.5-24F | 2F | 24 | 18.55 | 23 | 12 | 10 | 16 | - |
| 16-T2.5-25F | 2F | 25 | 19.35 | 23 | 13 | 10 | 16 | - |
| 16-T2.5-26F | 2F | 26 | 20.15 | 25 | 14 | 10 | 16 | - |
| 16-T2.5-28F | 2F | 28 | 21.75 | 25 | 14 | 10 | 16 | - |
| 16-T2.5-30F | 2F | 30 | 23.35 | 28 | 16 | 10 | 16 | 6 |
| 16-T2.5-32F | 2F | 32 | 24.95 | 32 | 16 | 10 | 16 | 6 |
| 16-T2.5-36F | 2F | 36 | 28.10 | 37 | 20 | 10 | 16 | 6 |
| 16-T2.5-40F | 2F | 40 | 31.30 | 38 | 22 | 10 | 16 | 6 |
| 16-T2.5-44 | 2 | 44 | 34.50 | — | 24 | 10 | 16 | 6 |
| 16-T2.5-48 | 2 | 48 | 37.70 | — | 26 | 10 | 16 | 6 |
| 16-T2.5-60 | 2 | 60 | 47.25 | — | 34 | 10 | 16 | 8 |

T/AT *Timing pulley*



TYPE 2F

TYPE 2

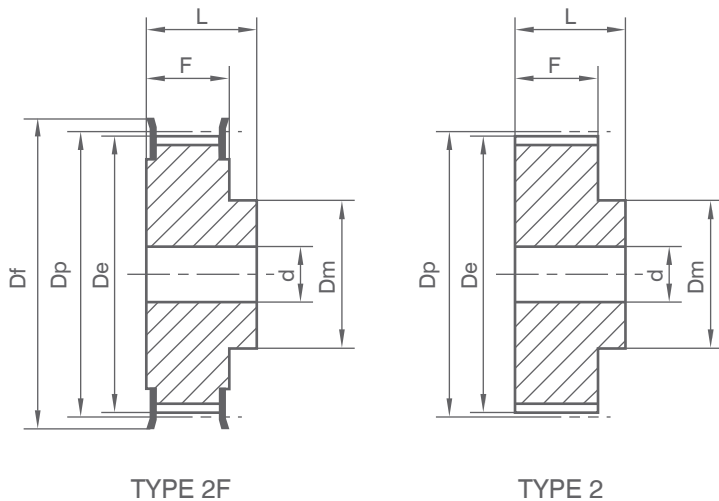


T5-21

PITCH=5mm FOR BELT WIDTH=10mm

| SPCFCTN | TYPE | Z | De | Df | Dm | F | L | d |
|-----------|------|----|-------|------|----|----|----|---|
| 21-T5-10F | 2F | 10 | 15.05 | 19.5 | 8 | 15 | 21 | 6 |
| 21-T5-12F | 2F | 12 | 18.25 | 23 | 10 | 15 | 21 | 6 |
| 21-T5-14F | 2F | 14 | 21.45 | 25 | 13 | 15 | 21 | 6 |
| 21-T5-15F | 2F | 15 | 23.05 | 28 | 16 | 15 | 21 | 6 |
| 21-T5-16F | 2F | 16 | 24.60 | 32 | 18 | 15 | 21 | 6 |
| 21-T5-18F | 2F | 18 | 27.80 | 32 | 20 | 15 | 21 | 6 |
| 21-T5-19F | 2F | 19 | 29.40 | 37 | 22 | 15 | 21 | 6 |
| 21-T5-20F | 2F | 20 | 31.00 | 37 | 23 | 15 | 21 | 6 |
| 21-T5-22F | 2F | 22 | 34.25 | 38 | 24 | 15 | 21 | 6 |
| 21-T5-24F | 2F | 24 | 37.40 | 43 | 26 | 15 | 21 | 6 |
| 21-T5-25F | 2F | 25 | 38.95 | 44 | 26 | 15 | 21 | 6 |
| 21-T5-26F | 2F | 26 | 40.60 | 44 | 26 | 15 | 21 | 6 |
| 21-T5-27F | 2F | 27 | 42.20 | 48 | 30 | 15 | 21 | 8 |
| 21-T5-28F | 2F | 28 | 43.75 | 48 | 32 | 15 | 21 | 8 |
| 21-T5-30F | 2F | 30 | 46.95 | 51 | 34 | 15 | 21 | 8 |
| 21-T5-32F | 2F | 32 | 50.10 | 54 | 38 | 15 | 21 | 8 |
| 21-T5-36F | 2F | 36 | 56.45 | 61 | 38 | 15 | 21 | 8 |
| 21-T5-40F | 2F | 40 | 62.85 | 67 | 40 | 15 | 21 | 8 |
| 21-T5-42F | 2F | 42 | 66.00 | 70 | 40 | 15 | 21 | 8 |
| 21-T5-44 | 2 | 44 | 69.20 | — | 45 | 15 | 21 | 8 |
| 21-T5-48 | 2 | 48 | 75.55 | — | 50 | 15 | 21 | 8 |
| 21-T5-60 | 2 | 60 | 94.65 | — | 65 | 15 | 21 | 8 |

T/AT Timing pulley

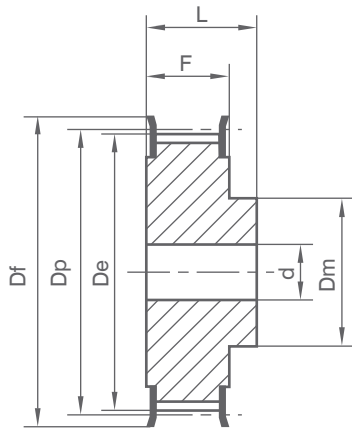


T5-27

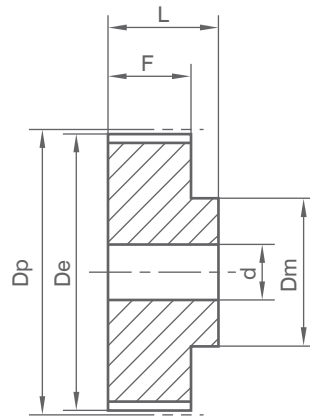
PITCH=5mm FOR BELT WIDTH=16mm

| SPCFCTN | TYPE | Z | De | Df | Dm | F | L | d |
|-----------|------|----|-------|------|----|----|----|---|
| 27-T5-10F | 2F | 10 | 15.05 | 19.5 | 8 | 21 | 27 | 6 |
| 27-T5-12F | 2F | 12 | 18.25 | 23 | 10 | 21 | 27 | 6 |
| 27-T5-14F | 2F | 14 | 21.45 | 25 | 13 | 21 | 27 | 6 |
| 27-T5-15F | 2F | 15 | 23.05 | 28 | 16 | 21 | 27 | 6 |
| 27-T5-16F | 2F | 16 | 24.60 | 32 | 18 | 21 | 27 | 6 |
| 27-T5-18F | 2F | 18 | 27.80 | 32 | 20 | 21 | 27 | 6 |
| 27-T5-19F | 2F | 19 | 29.40 | 37 | 22 | 21 | 27 | 6 |
| 27-T5-20F | 2F | 20 | 31.00 | 37 | 23 | 21 | 27 | 6 |
| 27-T5-22F | 2F | 22 | 34.25 | 38 | 24 | 21 | 27 | 6 |
| 27-T5-24F | 2F | 24 | 37.40 | 43 | 26 | 21 | 27 | 6 |
| 27-T5-25F | 2F | 25 | 38.95 | 44 | 26 | 21 | 27 | 6 |
| 27-T5-26F | 2F | 26 | 40.60 | 44 | 26 | 21 | 27 | 6 |
| 27-T5-27F | 2F | 27 | 42.20 | 48 | 30 | 21 | 27 | 8 |
| 27-T5-28F | 2F | 28 | 43.75 | 48 | 32 | 21 | 27 | 8 |
| 27-T5-30F | 2F | 30 | 46.95 | 51 | 34 | 21 | 27 | 8 |
| 27-T5-32F | 2F | 32 | 50.10 | 54 | 38 | 21 | 27 | 8 |
| 27-T5-36F | 2F | 36 | 56.45 | 61 | 38 | 21 | 27 | 8 |
| 27-T5-40F | 2F | 40 | 62.85 | 67 | 40 | 21 | 27 | 8 |
| 27-T5-42F | 2F | 42 | 66.00 | 70 | 40 | 21 | 27 | 8 |
| 27-T5-44 | 2 | 44 | 69.20 | — | 45 | 21 | 27 | 8 |
| 27-T5-48 | 2 | 48 | 75.55 | — | 50 | 21 | 27 | 8 |
| 27-T5-60 | 2 | 60 | 94.65 | — | 65 | 21 | 27 | 8 |

T/AT Timing pulley



TYPE 2F



TYPE 2

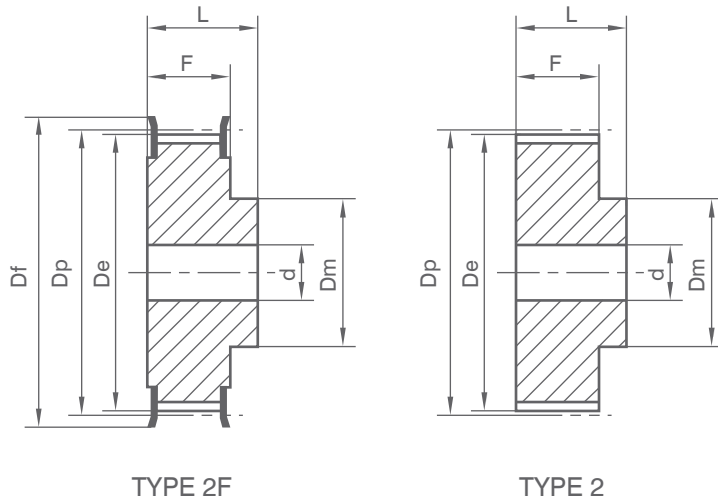


T5-36

PITCH=5mm FOR BELT WIDTH=25mm

| SPCFCTN | TYPE | Z | De | Df | Dm | F | L | d |
|-----------|------|----|-------|------|----|----|----|---|
| 36-T5-10F | 2F | 10 | 15.05 | 19.5 | 8 | 30 | 36 | 6 |
| 36-T5-12F | 2F | 12 | 18.25 | 23 | 10 | 30 | 36 | 6 |
| 36-T5-14F | 2F | 14 | 21.45 | 25 | 13 | 30 | 36 | 6 |
| 36-T5-15F | 2F | 15 | 23.05 | 28 | 16 | 30 | 36 | 6 |
| 36-T5-16F | 2F | 16 | 24.60 | 32 | 18 | 30 | 36 | 6 |
| 36-T5-18F | 2F | 18 | 27.80 | 32 | 20 | 30 | 36 | 6 |
| 36-T5-19F | 2F | 19 | 29.40 | 37 | 22 | 30 | 36 | 6 |
| 36-T5-20F | 2F | 20 | 31.00 | 37 | 23 | 30 | 36 | 6 |
| 36-T5-22F | 2F | 22 | 34.25 | 38 | 24 | 30 | 36 | 6 |
| 36-T5-24F | 2F | 24 | 37.40 | 43 | 26 | 30 | 36 | 6 |
| 36-T5-25F | 2F | 25 | 38.95 | 44 | 26 | 30 | 36 | 6 |
| 36-T5-26F | 2F | 26 | 40.60 | 44 | 26 | 30 | 36 | 6 |
| 36-T5-27F | 2F | 27 | 42.20 | 48 | 30 | 30 | 36 | 8 |
| 36-T5-28F | 2F | 28 | 43.75 | 48 | 32 | 30 | 36 | 8 |
| 36-T5-30F | 2F | 30 | 46.95 | 51 | 34 | 30 | 36 | 8 |
| 36-T5-32F | 2F | 32 | 50.10 | 54 | 38 | 30 | 36 | 8 |
| 36-T5-36F | 2F | 36 | 56.45 | 61 | 38 | 30 | 36 | 8 |
| 36-T5-40F | 2F | 40 | 62.85 | 67 | 40 | 30 | 36 | 8 |
| 36-T5-42F | 2F | 42 | 66.00 | 70 | 40 | 30 | 36 | 8 |
| 36-T5-44 | 2 | 44 | 69.20 | — | 45 | 30 | 36 | 8 |
| 36-T5-48 | 2 | 48 | 75.55 | — | 50 | 30 | 36 | 8 |
| 36-T5-60 | 2 | 60 | 94.65 | — | 65 | 30 | 36 | 8 |

T/AT Timing pulley

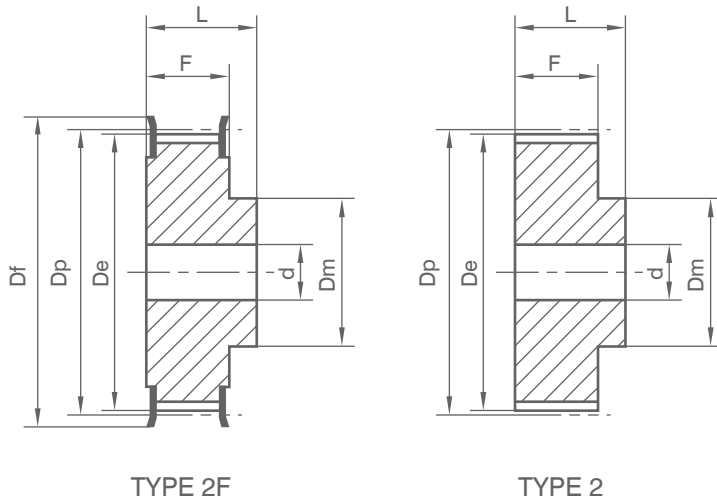


T10-31

PITCH=10mm FOR BELT WIDTH=16mm

| SPCFCTN | TYPE | Z | De | Df | Dm | F | L | d |
|------------|------|----|--------|-----|-----|----|----|----|
| 31-T10-12F | 2F | 12 | 36.35 | 43 | 28 | 21 | 31 | 6 |
| 31-T10-14F | 2F | 14 | 42.70 | 48 | 32 | 21 | 31 | 8 |
| 31-T10-15F | 2F | 15 | 45.90 | 51 | 32 | 21 | 31 | 8 |
| 31-T10-16F | 2F | 16 | 49.10 | 54 | 35 | 21 | 31 | 8 |
| 31-T10-18F | 2F | 18 | 55.45 | 60 | 40 | 21 | 31 | 8 |
| 31-T10-19F | 2F | 19 | 58.65 | 67 | 44 | 21 | 31 | 8 |
| 31-T10-20F | 2F | 20 | 61.80 | 67 | 46 | 21 | 31 | 8 |
| 31-T10-22F | 2F | 22 | 68.20 | 75 | 52 | 21 | 31 | 8 |
| 31-T10-24F | 2F | 24 | 74.55 | 83 | 58 | 21 | 31 | 8 |
| 31-T10-25F | 2F | 25 | 77.75 | 83 | 60 | 21 | 31 | 8 |
| 31-T10-26F | 2F | 26 | 80.90 | 87 | 60 | 21 | 31 | 8 |
| 31-T10-27F | 2F | 27 | 84.10 | 91 | 60 | 21 | 31 | 8 |
| 31-T10-28F | 2F | 28 | 87.25 | 94 | 60 | 21 | 31 | 8 |
| 31-T10-30F | 2F | 30 | 93.65 | 97 | 60 | 21 | 31 | 8 |
| 31-T10-32F | 2F | 32 | 100.00 | 112 | 65 | 21 | 31 | 10 |
| 31-T10-36F | 2F | 36 | 112.75 | 120 | 70 | 21 | 31 | 10 |
| 31-T10-40F | 2F | 40 | 125.45 | 135 | 80 | 21 | 31 | 10 |
| 31-T10-44 | 2 | 44 | 138.20 | — | 88 | 21 | 31 | 10 |
| 31-T10-48 | 2 | 48 | 150.95 | — | 95 | 21 | 31 | 16 |
| 31-T10-60 | 2 | 60 | 189.15 | — | 110 | 21 | 31 | 16 |

T/AT *Timing pulley*

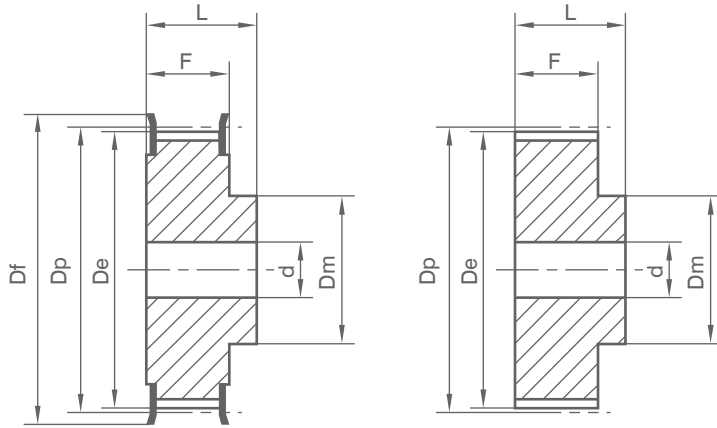


T10-40

PITCH=10mm FOR BELT WIDTH=25mm

| SPCFCTN | TYPE | Z | De | Df | Dm | F | L | d |
|------------|------|----|--------|-----|-----|----|----|----|
| 40-T10-12F | 2F | 12 | 36.35 | 43 | 28 | 30 | 40 | 6 |
| 40-T10-14F | 2F | 14 | 42.70 | 48 | 32 | 30 | 40 | 8 |
| 40-T10-15F | 2F | 15 | 45.90 | 51 | 32 | 30 | 40 | 8 |
| 40-T10-16F | 2F | 16 | 49.10 | 54 | 35 | 30 | 40 | 8 |
| 40-T10-18F | 2F | 18 | 55.45 | 60 | 40 | 30 | 40 | 8 |
| 40-T10-19F | 2F | 19 | 58.65 | 67 | 44 | 30 | 40 | 8 |
| 40-T10-20F | 2F | 20 | 61.80 | 67 | 46 | 30 | 40 | 8 |
| 40-T10-22F | 2F | 22 | 68.20 | 75 | 52 | 30 | 40 | 8 |
| 40-T10-24F | 2F | 24 | 74.55 | 83 | 58 | 30 | 40 | 8 |
| 40-T10-25F | 2F | 25 | 77.75 | 83 | 60 | 30 | 40 | 8 |
| 40-T10-26F | 2F | 26 | 80.90 | 87 | 60 | 30 | 40 | 8 |
| 40-T10-27F | 2F | 27 | 84.10 | 91 | 60 | 30 | 40 | 8 |
| 40-T10-28F | 2F | 28 | 87.25 | 94 | 60 | 30 | 40 | 8 |
| 40-T10-30F | 2F | 30 | 93.65 | 97 | 60 | 30 | 40 | 8 |
| 40-T10-32F | 2F | 32 | 100.00 | 112 | 65 | 30 | 40 | 10 |
| 40-T10-36F | 2F | 36 | 112.75 | 120 | 70 | 30 | 40 | 10 |
| 40-T10-40F | 2F | 40 | 125.45 | 135 | 80 | 30 | 40 | 10 |
| 40-T10-44 | 2 | 44 | 138.20 | — | 88 | 30 | 40 | 10 |
| 40-T10-48 | 2 | 48 | 150.95 | — | 95 | 30 | 40 | 16 |
| 40-T10-60 | 2 | 60 | 189.15 | — | 110 | 30 | 40 | 16 |

T/AT Timing pulley



TYPE 2F

TYPE 2



T10-47

PITCH=10mm FOR BELT WIDTH=30mm

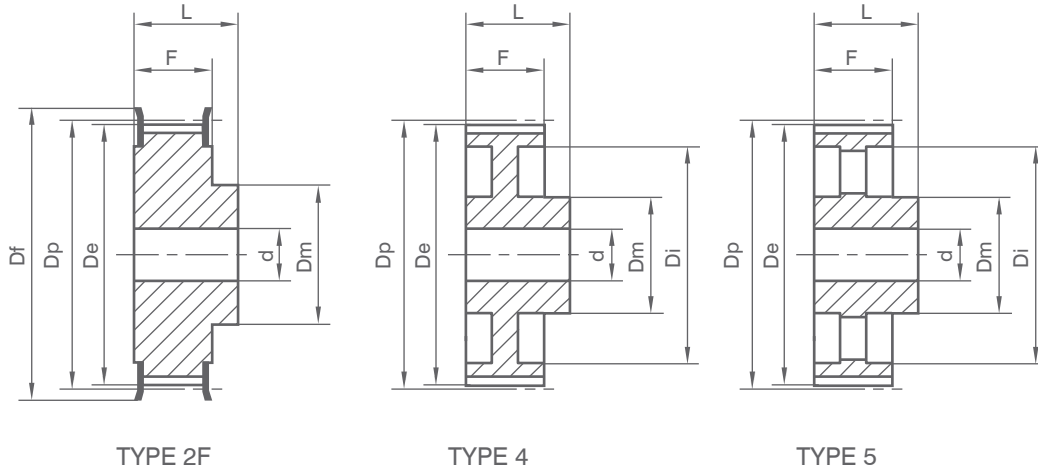
| SPCFCTN | TYPE | Z | De | Df | Dm | F | L | d |
|------------|------|----|--------|-----|-----|----|----|----|
| 47-T10-18F | 2F | 18 | 55.45 | 60 | 40 | 37 | 47 | 10 |
| 47-T10-19F | 2F | 19 | 58.65 | 67 | 44 | 37 | 47 | 10 |
| 47-T10-20F | 2F | 20 | 61.80 | 67 | 46 | 37 | 47 | 12 |
| 47-T10-22F | 2F | 22 | 68.20 | 75 | 52 | 37 | 47 | 12 |
| 47-T10-24F | 2F | 24 | 74.55 | 83 | 58 | 37 | 47 | 12 |
| 47-T10-25F | 2F | 25 | 77.75 | 83 | 60 | 37 | 47 | 12 |
| 47-T10-26F | 2F | 26 | 80.90 | 87 | 60 | 37 | 47 | 12 |
| 47-T10-27F | 2F | 27 | 84.10 | 91 | 60 | 37 | 47 | 12 |
| 47-T10-28F | 2F | 28 | 87.25 | 94 | 60 | 37 | 47 | 12 |
| 47-T10-30F | 2F | 30 | 93.65 | 97 | 60 | 37 | 47 | 12 |
| 47-T10-32F | 2F | 32 | 100.00 | 112 | 65 | 37 | 47 | 12 |
| 47-T10-36F | 2F | 36 | 112.75 | 120 | 70 | 37 | 47 | 16 |
| 47-T10-40F | 2F | 40 | 125.45 | 135 | 80 | 37 | 47 | 16 |
| 47-T10-44 | 2 | 44 | 138.20 | — | 88 | 37 | 47 | 16 |
| 47-T10-48 | 2 | 48 | 150.95 | — | 95 | 37 | 47 | 16 |
| 47-T10-60 | 2 | 60 | 189.10 | — | 110 | 37 | 47 | 16 |

T10-66

PITCH=10mm FOR BELT WIDTH=50mm

| SPCFCTN | TYPE | Z | De | Df | Dm | F | L | d |
|------------|------|----|--------|-----|-----|----|----|----|
| 66-T10-18F | 2F | 18 | 55.45 | 60 | 40 | 56 | 66 | 10 |
| 66-T10-19F | 2F | 19 | 58.65 | 67 | 44 | 56 | 66 | 10 |
| 66-T10-20F | 2F | 20 | 61.80 | 67 | 46 | 56 | 66 | 12 |
| 66-T10-22F | 2F | 22 | 68.20 | 75 | 52 | 56 | 66 | 12 |
| 66-T10-24F | 2F | 24 | 74.55 | 83 | 58 | 56 | 66 | 12 |
| 66-T10-25F | 2F | 25 | 77.75 | 83 | 60 | 56 | 66 | 12 |
| 66-T10-26F | 2F | 26 | 80.90 | 87 | 60 | 56 | 66 | 12 |
| 66-T10-27F | 2F | 27 | 84.10 | 94 | 60 | 56 | 66 | 12 |
| 66-T10-28F | 2F | 28 | 87.25 | 93 | 60 | 56 | 66 | 12 |
| 66-T10-30F | 2F | 30 | 93.65 | 97 | 60 | 56 | 66 | 12 |
| 66-T10-32F | 2F | 32 | 100.00 | 112 | 65 | 56 | 66 | 12 |
| 66-T10-36F | 2F | 36 | 112.75 | 120 | 70 | 56 | 66 | 16 |
| 66-T10-40F | 2F | 40 | 125.45 | 135 | 80 | 56 | 66 | 16 |
| 66-T10-44 | 2 | 44 | 138.20 | — | 88 | 56 | 66 | 16 |
| 66-T10-48 | 2 | 48 | 150.95 | — | 95 | 56 | 66 | 16 |
| 66-T10-60 | 2 | 60 | 189.10 | — | 110 | 56 | 66 | 16 |

T/AT Timing pulley



T20-53

PITCH=20mm FOR BELT WIDTH=32mm

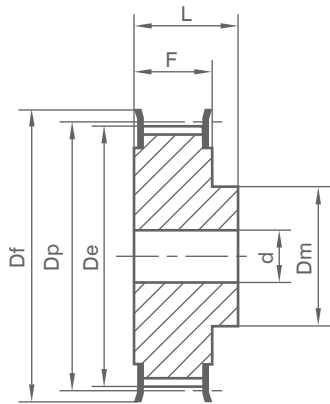
| SPCFCTN | TYPE | Z | De | Df | Dm | F | L | d |
|------------|------|----|--------|-----|-----|----|----|----|
| 53-T20-18F | 2F | 18 | 111.75 | 120 | 80 | 38 | 53 | 16 |
| 53-T20-20F | 2F | 20 | 124.50 | 142 | 90 | 38 | 53 | 16 |
| 53-T20-22F | 2F | 22 | 137.20 | 150 | 90 | 38 | 53 | 16 |
| 53-T20-24F | 2F | 24 | 149.95 | 158 | 95 | 38 | 53 | 16 |
| 53-T20-25F | 2F | 25 | 156.30 | 168 | 95 | 38 | 53 | 16 |
| 53-T20-30F | 2F | 30 | 188.15 | 200 | 110 | 38 | 53 | 16 |
| 53-T20-32F | 4 | 32 | 200.85 | 216 | 110 | 38 | 53 | 18 |
| 53-T20-36F | 4 | 36 | 226.35 | — | 110 | 38 | 53 | 18 |
| 53-T20-40F | 5 | 40 | 251.80 | — | 110 | 38 | 53 | 20 |
| 53-T20-48F | 5 | 48 | 302.70 | — | 130 | 38 | 53 | 20 |
| 53-T20-60F | 5 | 60 | 379.10 | — | 130 | 38 | 53 | 20 |
| 53-T20-72F | 5 | 72 | 455.50 | — | 140 | 38 | 53 | 20 |

T20-71

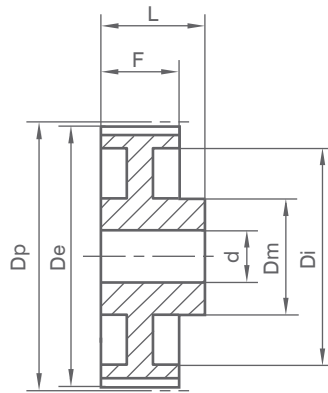
PITCH=20mm FOR BELT WIDTH=50mm

| SPCFCTN | TYPE | Z | De | Df | Dm | F | L | d |
|------------|------|----|--------|-----|-----|----|----|----|
| 71-T20-18F | 2F | 18 | 111.75 | 120 | 80 | 56 | 71 | 18 |
| 71-T20-20F | 2F | 20 | 124.50 | 142 | 90 | 56 | 71 | 18 |
| 71-T20-22F | 2F | 22 | 137.20 | 150 | 90 | 56 | 71 | 18 |
| 71-T20-24F | 2F | 24 | 149.95 | 158 | 95 | 56 | 71 | 18 |
| 71-T20-25F | 2F | 25 | 156.30 | 168 | 95 | 56 | 71 | 18 |
| 71-T20-30F | 2F | 30 | 188.15 | 200 | 110 | 56 | 71 | 18 |
| 71-T20-32F | 4 | 32 | 200.85 | 216 | 110 | 56 | 71 | 20 |
| 71-T20-36F | 4 | 36 | 226.35 | — | 110 | 56 | 71 | 20 |
| 77-T20-40F | 5 | 40 | 251.80 | — | 110 | 56 | 71 | 20 |
| 71-T20-48F | 5 | 48 | 302.70 | — | 130 | 56 | 71 | 24 |
| 71-T20-60F | 5 | 60 | 379.10 | — | 130 | 56 | 71 | 24 |
| 71-T20-72F | 5 | 72 | 455.50 | — | 140 | 56 | 71 | 24 |

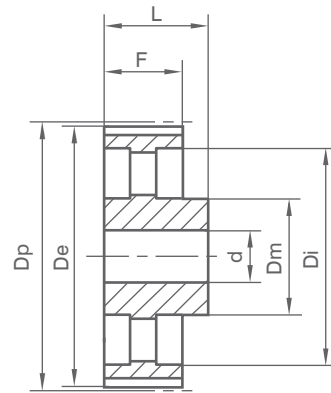
T/AT *Timing pulley*



TYPE 2F



TYPE 4



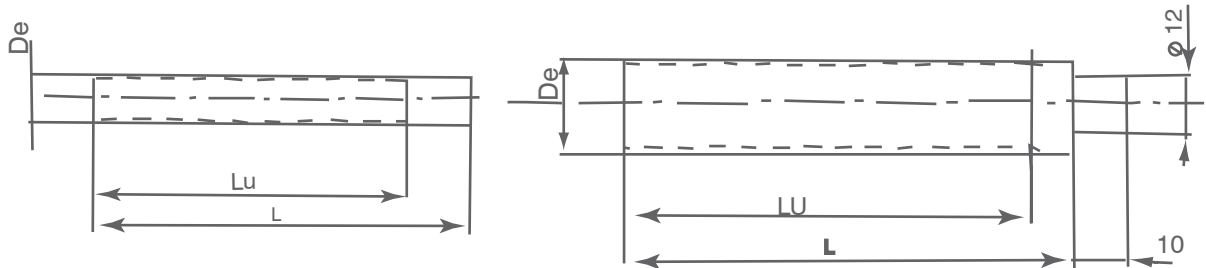
TYPE 5

T20-123

PITCH=20mm FOR BELT WIDTH=100mm

| SPCFCTN | TYPE | Z | De | Df | Dm | F | L | d |
|-------------|------|----|--------|-----|-----|-----|-----|----|
| 123-T20-18F | 2F | 18 | 111.75 | 120 | 80 | 108 | 123 | 24 |
| 123-T20-20F | 2F | 20 | 124.50 | 142 | 90 | 108 | 123 | 24 |
| 123-T20-22F | 2F | 22 | 137.20 | 150 | 90 | 108 | 123 | 24 |
| 123-T20-24F | 2F | 24 | 149.95 | 158 | 95 | 108 | 123 | 24 |
| 123-T20-25F | 2F | 25 | 156.30 | 168 | 95 | 108 | 123 | 24 |
| 123-T20-30F | 2F | 30 | 188.15 | 200 | 110 | 108 | 123 | 24 |
| 123-T20-32F | 4 | 32 | 200.85 | 216 | 110 | 108 | 123 | 24 |
| 123-T20-36F | 4 | 36 | 226.35 | — | 110 | 108 | 123 | 32 |
| 123-T20-40F | 5 | 40 | 251.80 | — | 110 | 108 | 123 | 32 |
| 123-T20-48F | 5 | 48 | 302.70 | — | 130 | 108 | 123 | 32 |
| 123-T20-60F | 5 | 60 | 379.10 | — | 130 | 108 | 123 | 32 |
| 123-T20-72F | 5 | 72 | 455.50 | — | 140 | 108 | 123 | 32 |

T/AT Standard toothed bars



T2.5

| | | De | LU | L |
|----------|-----|-------|-----|-----|
| T2,5-10 | 10 | 7.42 | 50 | 75 |
| T2,5-12 | 12 | 9.00 | 50 | 75 |
| T2,5-13 | 13 | 9.80 | 50 | 75 |
| T2,5-14 | 14 | 10.60 | 50 | 75 |
| T2,5-15 | 15 | 11.40 | 75 | 75 |
| T2,5-16 | 16 | 12.20 | 75 | 75 |
| T2,5-17 | 17 | 13.00 | 75 | 75 |
| T2,5-18 | 18 | 13.80 | 75 | 75 |
| T2,5-19 | 19 | 14.60 | 120 | 120 |
| T2,5-20 | 20 | 15.40 | 120 | 120 |
| T2,5-21 | 21 | 16.20 | 120 | 120 |
| T2,5-22 | 22 | 17.00 | 140 | 140 |
| T2,5-24 | 24 | 18.55 | 140 | 140 |
| T2,5-26 | 26 | 20.15 | 140 | 140 |
| T2,5-27 | 27 | 20.95 | 140 | 140 |
| T2,5-28 | 28 | 21.75 | 140 | 140 |
| T2,5-29 | 29 | 22.55 | 140 | 140 |
| T2,5-30 | 30 | 23.35 | 140 | 140 |
| T2,5-32 | 32 | 24.95 | 140 | 140 |
| T2,5-34 | 34 | 26.55 | 140 | 140 |
| T2,5-35 | 35 | 27.35 | 140 | 140 |
| T2,5-36 | 36 | 28.10 | 140 | 140 |
| T2,5-38 | 38 | 29.70 | 140 | 140 |
| T2,5-40 | 40 | 31.30 | 140 | 140 |
| T2,5-42 | 42 | 32.90 | 140 | 140 |
| T2,5-44 | 44 | 34.50 | 140 | 140 |
| T2,5-45 | 45 | 35.30 | 140 | 140 |
| T2,5-48 | 48 | 37.70 | 140 | 140 |
| T2,5-50 | 50 | 39.29 | 160 | 160 |
| T2,5-60 | 60 | 47.25 | 160 | 160 |
| T2,5-65 | 65 | 51.20 | 160 | 160 |
| T2,5-70 | 70 | 55.20 | 160 | 160 |
| T2,5-72 | 72 | 56.80 | 160 | 160 |
| T2,5-90 | 90 | 71.12 | 160 | 160 |
| T2,5-100 | 100 | 79.08 | 160 | 160 |

T5

| | | De | LU | L |
|--------|-----|--------|-----|-----|
| T5-10 | 10 | 15.05 | 140 | 140 |
| T5-11 | 11 | 16.65 | 140 | 140 |
| T5-12 | 12 | 18.25 | 140 | 140 |
| T5-13 | 13 | 19.85 | 140 | 140 |
| T5-14 | 14 | 21.45 | 140 | 140 |
| T5-15 | 15 | 23.05 | 140 | 140 |
| T5-16 | 16 | 24.60 | 140 | 140 |
| T5-17 | 17 | 26.20 | 140 | 140 |
| T5-18 | 18 | 27.80 | 140 | 140 |
| T5-19 | 19 | 29.40 | 140 | 140 |
| T5-20 | 20 | 31.00 | 160 | 160 |
| T5-21 | 21 | 32.70 | 160 | 160 |
| T5-22 | 22 | 34.25 | 160 | 160 |
| T5-23 | 23 | 35.85 | 160 | 160 |
| T5-24 | 24 | 37.40 | 160 | 160 |
| T5-25 | 25 | 38.95 | 160 | 160 |
| T5-26 | 26 | 40.60 | 160 | 160 |
| T5-27 | 27 | 42.20 | 160 | 160 |
| T5-28 | 28 | 43.75 | 160 | 160 |
| T5-29 | 29 | 45.35 | 160 | 160 |
| T5-30 | 30 | 46.95 | 160 | 160 |
| T5-32 | 32 | 50.10 | 160 | 160 |
| T5-34 | 34 | 53.25 | 160 | 160 |
| T5-35 | 35 | 54.85 | 160 | 160 |
| T5-36 | 36 | 56.45 | 160 | 160 |
| T5-37 | 37 | 58.06 | 160 | 160 |
| T5-38 | 38 | 59.65 | 160 | 160 |
| T5-40 | 40 | 62.85 | 160 | 160 |
| T5-42 | 42 | 66.00 | 160 | 160 |
| T5-44 | 44 | 69.20 | 160 | 160 |
| T5-45 | 45 | 70.80 | 160 | 160 |
| T5-46 | 46 | 72.40 | 160 | 160 |
| T5-48 | 48 | 75.55 | 160 | 160 |
| T5-50 | 50 | 78.75 | 160 | 160 |
| T5-60 | 60 | 94.65 | 160 | 160 |
| T5-72 | 72 | 113.75 | 160 | 160 |
| T5-80 | 80 | 126.48 | 160 | 160 |
| T5-90 | 90 | 142.40 | 160 | 160 |
| T5-100 | 100 | 158.31 | 160 | 160 |

T10

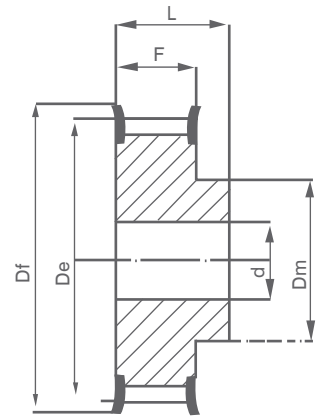
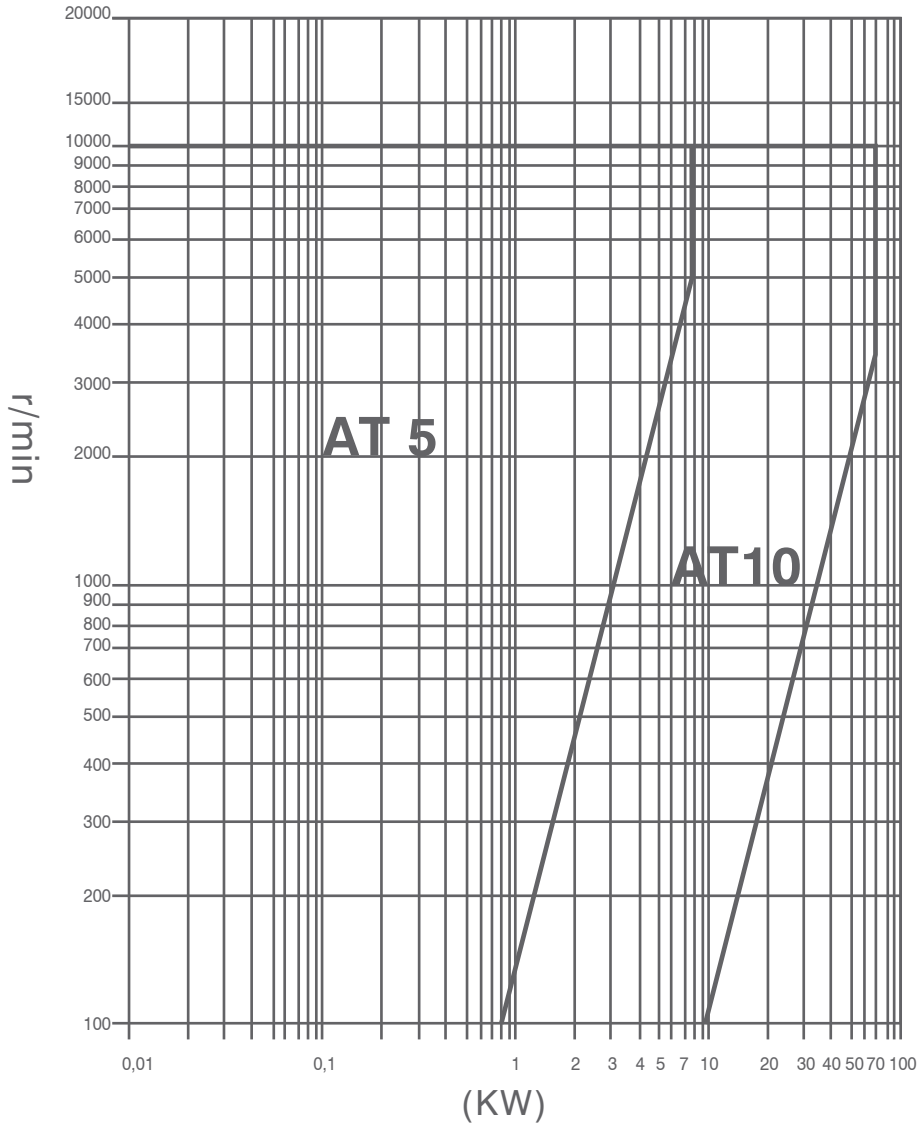
| | | De | LU | L |
|--------|----|--------|-----|-----|
| T10-10 | 10 | 29.98 | 140 | 140 |
| T10-11 | 11 | 33.16 | 140 | 140 |
| T10-12 | 12 | 36.35 | 140 | 140 |
| T10-13 | 13 | 39.55 | 140 | 140 |
| T10-14 | 14 | 42.70 | 160 | 160 |
| T10-15 | 15 | 45.90 | 160 | 160 |
| T10-16 | 16 | 49.10 | 160 | 160 |
| T10-17 | 17 | 52.25 | 160 | 160 |
| T10-18 | 18 | 55.45 | 160 | 160 |
| T10-19 | 19 | 58.65 | 160 | 160 |
| T10-20 | 20 | 61.80 | 160 | 160 |
| T10-21 | 21 | 65.00 | 160 | 160 |
| T10-22 | 22 | 68.20 | 160 | 160 |
| T10-23 | 23 | 71.35 | 160 | 160 |
| T10-24 | 24 | 74.55 | 160 | 160 |
| T10-26 | 26 | 80.90 | 160 | 160 |
| T10-28 | 28 | 87.25 | 160 | 160 |
| T10-30 | 30 | 93.65 | 160 | 160 |
| T10-32 | 32 | 100.00 | 160 | 160 |
| T10-34 | 34 | 106.40 | 160 | 160 |
| T10-36 | 36 | 112.75 | 160 | 160 |
| T10-38 | 38 | 119.10 | 160 | 160 |
| T10-40 | 40 | 125.45 | 160 | 160 |
| T10-45 | 45 | 141.40 | 160 | 160 |
| T10-48 | 48 | 150.95 | 160 | 160 |
| T10-60 | 60 | 189.10 | 160 | 160 |
| T10-72 | 72 | 227.29 | 160 | 160 |

Special Note

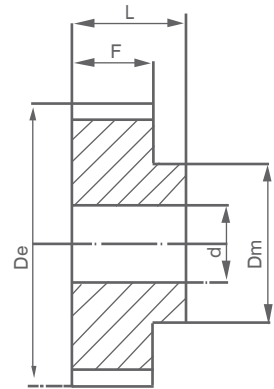
We can also supply the flanges of the above timing belt pulleys separately. The customers can order flanges according to the corresponding pulleys part numbers.

Timing pulley

DESIGN HORSEPOWER (HORSEPOWER SERVICE FACTOR)



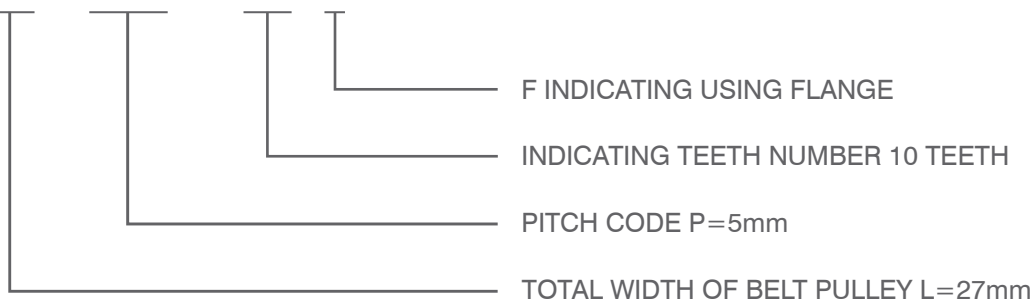
TYPE 2F



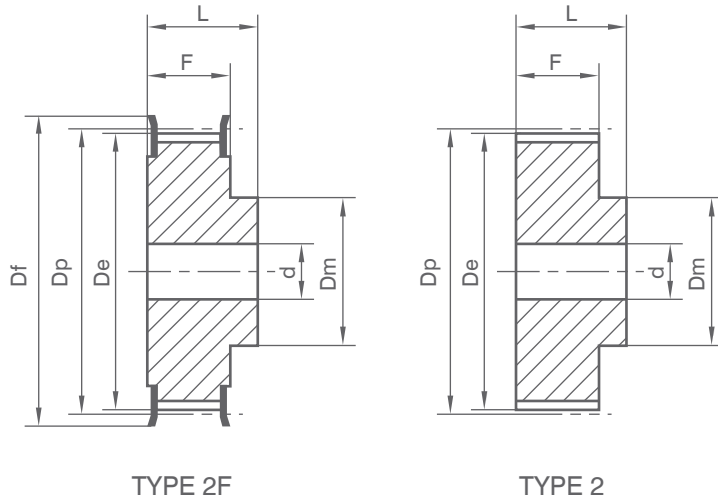
TYPE 2

EXAMPLE:

27 -AT5 - 10 F



T/AT Timing pulley

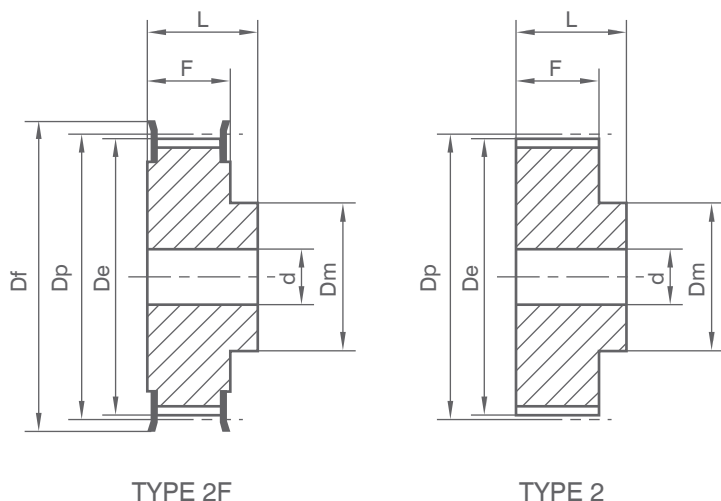


AT5-21

PITCH=5mm FOR BELT WIDTH=10mm

| SPCFCTN | TYPE | Z | De | Df | Dm | F | L | d |
|------------|------|----|-------|------|----|----|----|---|
| 21-AT5-12F | 2F | 12 | 17.85 | 23.0 | 10 | 15 | 21 | — |
| 21-AT5-14F | 2F | 14 | 21.05 | 25.0 | 13 | 15 | 21 | — |
| 21-AT5-15F | 2F | 15 | 22.65 | 28.0 | 16 | 15 | 21 | — |
| 21-AT5-16F | 2F | 16 | 24.20 | 32.0 | 18 | 15 | 21 | — |
| 21-AT5-18F | 2F | 18 | 27.40 | 32.0 | 20 | 15 | 21 | — |
| 21-AT5-19F | 2F | 19 | 29.00 | 37.0 | 22 | 15 | 21 | — |
| 21-AT5-20F | 2F | 20 | 30.60 | 37.0 | 23 | 15 | 21 | — |
| 21-AT5-22F | 2F | 22 | 33.85 | 38.0 | 24 | 15 | 21 | — |
| 21-AT5-24F | 2F | 24 | 37.00 | 43.0 | 26 | 15 | 21 | — |
| 21-AT5-25F | 2F | 25 | 38.55 | 44.0 | 26 | 15 | 21 | — |
| 21-AT5-26F | 2F | 26 | 40.20 | 44.0 | 26 | 15 | 21 | — |
| 21AT5-27F | 2F | 27 | 41.80 | 48.0 | 30 | 15 | 21 | 8 |
| 21-AT5-28F | 2F | 28 | 43.35 | 48.0 | 32 | 15 | 21 | 8 |
| 21-AT5-30F | 2F | 30 | 46.55 | 51.0 | 34 | 15 | 21 | 8 |
| 21-AT5-32F | 2F | 32 | 49.70 | 54.0 | 38 | 15 | 21 | 8 |
| 21-AT5-36F | 2F | 36 | 56.05 | 61.0 | 38 | 15 | 21 | 8 |
| 21-AT5-40F | 2F | 40 | 62.45 | 67.0 | 40 | 15 | 21 | 8 |
| 21-AT5-42F | 2F | 42 | 65.60 | 70.0 | 40 | 15 | 21 | 8 |
| 21-AT5-44 | 2 | 44 | 68.80 | — | 45 | 15 | 21 | 8 |
| 21-AT5-48 | 2 | 48 | 75.15 | — | 50 | 15 | 21 | 8 |
| 21-AT5-60 | 2 | 60 | 94.25 | — | 65 | 15 | 21 | 8 |

T/AT Timing pulley

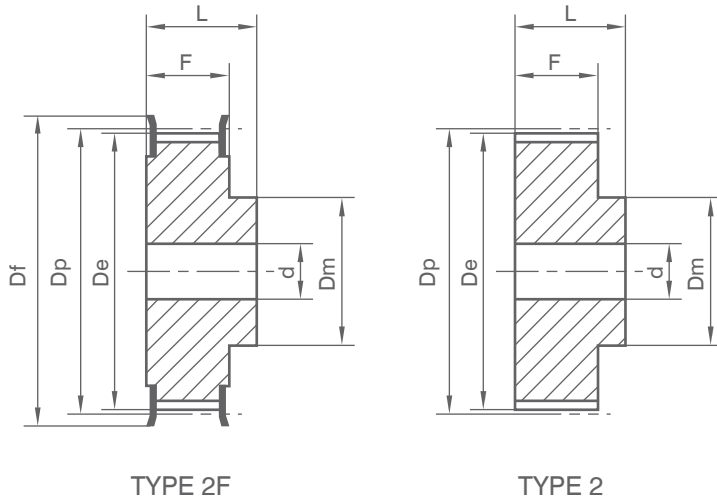


AT5-27

PITCH=5mm FOR BELT WIDTH=16mm

| SPCFCTN | TYPE | Z | De | Df | Dm | F | L | d |
|------------|------|----|-------|------|----|----|----|---|
| 27-AT5-12F | 2F | 12 | 17.85 | 23.0 | 10 | 21 | 27 | — |
| 27-AT5-14F | 2F | 14 | 21.05 | 25.0 | 13 | 21 | 27 | — |
| 27-AT5-15F | 2F | 15 | 22.65 | 28.0 | 16 | 21 | 27 | — |
| 27-AT5-16F | 2F | 16 | 24.20 | 32.0 | 18 | 21 | 27 | — |
| 27-AT5-18F | 2F | 18 | 27.40 | 32.0 | 20 | 21 | 27 | — |
| 27-AT5-19F | 2F | 19 | 29.00 | 37.0 | 22 | 21 | 27 | — |
| 27-AT5-20F | 2F | 20 | 30.60 | 37.0 | 23 | 21 | 27 | — |
| 27-AT5-22F | 2F | 22 | 33.85 | 38.0 | 24 | 21 | 27 | — |
| 27-AT5-24F | 2F | 24 | 37.00 | 43.0 | 26 | 21 | 27 | — |
| 27-AT5-25F | 2F | 25 | 38.55 | 44.0 | 26 | 21 | 27 | — |
| 27-AT5-26F | 2F | 26 | 40.20 | 44.0 | 26 | 21 | 27 | 6 |
| 27-AT5-27F | 2F | 27 | 41.80 | 48.0 | 30 | 21 | 27 | 8 |
| 27-AT5-28F | 2F | 28 | 43.35 | 48.0 | 32 | 21 | 27 | 8 |
| 27-AT5-30F | 2F | 30 | 46.55 | 51.0 | 34 | 21 | 27 | 8 |
| 27-AT5-32F | 2F | 32 | 49.70 | 54.0 | 38 | 21 | 27 | 8 |
| 27-AT5-36F | 2F | 36 | 56.05 | 61.0 | 38 | 21 | 27 | 8 |
| 27-AT5-40F | 2F | 40 | 62.45 | 67.0 | 40 | 21 | 27 | 8 |
| 27-AT5-42F | 2F | 42 | 65.60 | 70.0 | 40 | 21 | 27 | 8 |
| 27-AT5-44 | 2 | 44 | 68.80 | — | 45 | 21 | 27 | 8 |
| 27-AT5-48 | 2 | 48 | 75.15 | — | 50 | 21 | 27 | 8 |
| 27-AT5-60 | 2 | 60 | 94.25 | — | 65 | 21 | 27 | 8 |

T/AT Timing pulley

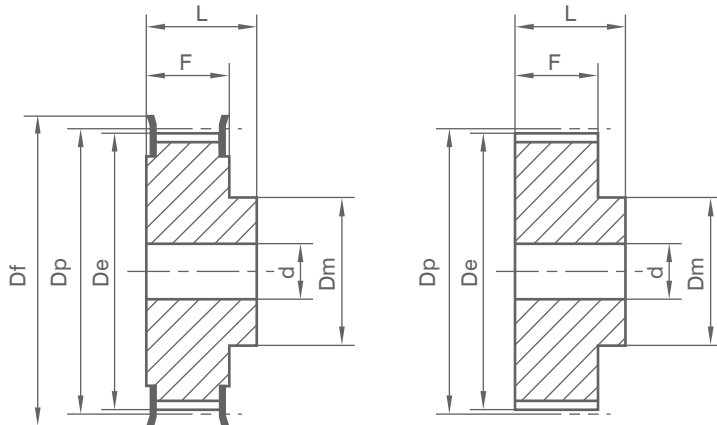


AT5-36

PITCH=5mm FOR BELT WIDTH=25mm

| SPCFCTN | TYPE | Z | De | Df | Dm | F | L | d |
|------------|------|----|-------|------|----|----|----|---|
| 36-AT5-12F | 2F | 12 | 17.85 | 23.0 | 10 | 30 | 36 | — |
| 36-AT5-14F | 2F | 14 | 21.05 | 25.0 | 13 | 30 | 36 | — |
| 36-AT5-15F | 2F | 15 | 22.65 | 28.0 | 16 | 30 | 36 | — |
| 36-AT5-16F | 2F | 16 | 24.20 | 32.0 | 18 | 30 | 36 | — |
| 36-AT5-18F | 2F | 18 | 27.40 | 32.0 | 20 | 30 | 36 | — |
| 36-AT5-19F | 2F | 19 | 29.00 | 37.0 | 22 | 30 | 36 | — |
| 36-AT5-20F | 2F | 20 | 30.60 | 37.0 | 23 | 30 | 36 | — |
| 36-AT5-22F | 2F | 22 | 33.85 | 38.0 | 24 | 30 | 36 | — |
| 36-AT5-24F | 2F | 24 | 37.00 | 43.0 | 26 | 30 | 36 | 8 |
| 36-AT5-25F | 2F | 25 | 38.55 | 44.0 | 26 | 30 | 36 | 8 |
| 36-AT5-26F | 2F | 26 | 40.20 | 44.0 | 26 | 30 | 36 | 8 |
| 36-AT5-27F | 2F | 27 | 41.80 | 48.0 | 30 | 30 | 36 | 8 |
| 36-AT5-18F | 2F | 28 | 43.35 | 48.0 | 32 | 30 | 36 | 8 |
| 36-AT5-30F | 2F | 30 | 46.55 | 51.0 | 34 | 30 | 36 | 8 |
| 36-AT5-32F | 2F | 32 | 49.70 | 54.0 | 38 | 30 | 36 | 8 |
| 36-AT5-36F | 2F | 36 | 56.05 | 61.0 | 38 | 30 | 36 | 8 |
| 36-AT5-40F | 2F | 40 | 62.45 | 67.0 | 40 | 30 | 36 | 8 |
| 36-AT5-42F | 2F | 42 | 65.60 | 70.0 | 40 | 30 | 36 | 8 |
| 36-AT5-44 | 2 | 44 | 68.80 | — | 45 | 30 | 36 | 8 |
| 36-AT5-48 | 2 | 48 | 75.15 | — | 50 | 30 | 36 | 8 |
| 36-AT5-60 | 2 | 60 | 94.25 | — | 65 | 30 | 36 | 8 |

T/AT Timing pulley



TYPE 2F

TYPE 2

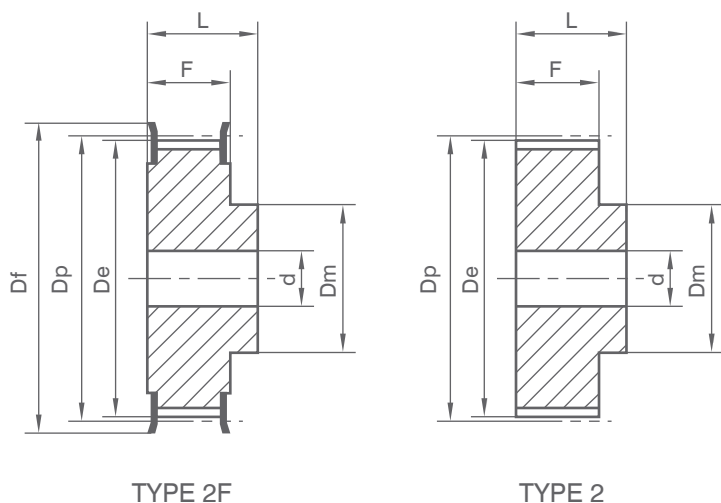


AT10-31

PITCH=10mm FOR BELT WIDTH=16mm

| SPCFCTN | TYPE | Z | De | Df | Dm | F | L | d |
|-------------|------|----|--------|-----|-----|----|----|----|
| 31-AT10-15F | 2F | 15 | 45.90 | 51 | 32 | 21 | 31 | 8 |
| 31-AT10-16F | 2F | 16 | 49.10 | 54 | 35 | 21 | 31 | 8 |
| 31-AT10-18F | 2F | 18 | 55.45 | 60 | 40 | 21 | 31 | 8 |
| 31-AT10-19F | 2F | 19 | 58.65 | 67 | 44 | 21 | 31 | 8 |
| 31AT10-20F | 2F | 20 | 61.80 | 67 | 46 | 21 | 31 | 8 |
| 31AT10-22F | 2F | 22 | 68.20 | 75 | 52 | 21 | 31 | 8 |
| 31-AT10-24F | 2F | 24 | 74.55 | 83 | 58 | 21 | 31 | 8 |
| 31-AT10-25F | 2F | 25 | 77.75 | 83 | 60 | 21 | 31 | 8 |
| 31-AT10-26F | 2F | 26 | 80.90 | 87 | 60 | 21 | 31 | 8 |
| 31-AT10-27F | 2F | 27 | 84.05 | 91 | 60 | 21 | 31 | 8 |
| 31-AT10-28F | 2F | 28 | 87.25 | 94 | 60 | 21 | 31 | 8 |
| 31-AT10-30F | 2F | 30 | 93.65 | 97 | 60 | 21 | 31 | 8 |
| 31-AT10-32F | 2F | 32 | 100.00 | 112 | 65 | 21 | 31 | 10 |
| 31-AT10-36F | 2F | 36 | 112.75 | 120 | 70 | 21 | 31 | 10 |
| 31-AT10-40F | 2F | 40 | 125.45 | 135 | 80 | 21 | 31 | 10 |
| 31-AT10-44 | 2 | 44 | 138.20 | — | 88 | 21 | 31 | 10 |
| 31-AT10-48 | 2 | 48 | 150.95 | — | 95 | 21 | 31 | 16 |
| 31-AT10-60 | 2 | 60 | 189.15 | — | 110 | 21 | 31 | 16 |

T/AT Timing pulley

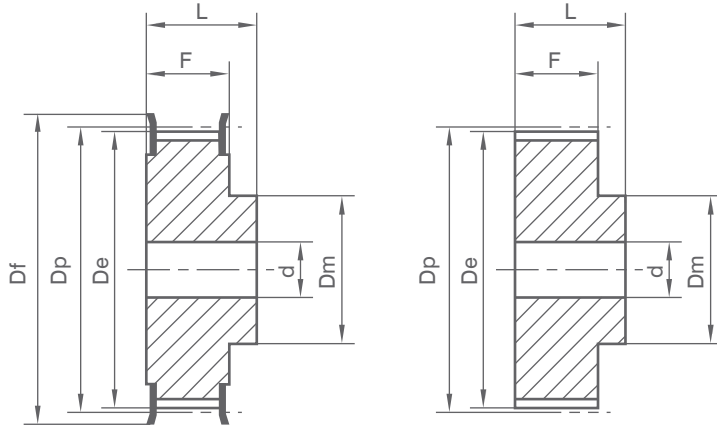


AT10-40

PITCH=10mm FOR BELT WIDTH=25mm

| SPCFCTN | TYPE | Z | De | Df | Dm | F | L | d |
|-------------|------|----|--------|-----|-----|----|----|----|
| 40-AT10-15F | 2F | 15 | 45.90 | 51 | 32 | 30 | 40 | 8 |
| 40-AT10-10F | 2F | 16 | 49.10 | 54 | 35 | 30 | 40 | 8 |
| 40-AT10-18D | 2F | 18 | 55.45 | 60 | 40 | 30 | 40 | 8 |
| 40-AT10-19F | 2F | 19 | 58.65 | 67 | 44 | 30 | 40 | 8 |
| 40-AT10-20F | 2F | 20 | 61.80 | 67 | 46 | 30 | 40 | 8 |
| 40-AT10-22F | 2F | 22 | 68.20 | 75 | 52 | 30 | 40 | 8 |
| 40-AT10-24F | 2F | 24 | 74.55 | 83 | 58 | 30 | 40 | 8 |
| 40-AT10-25F | 2F | 25 | 77.75 | 83 | 60 | 30 | 40 | 8 |
| 40-AT10-26F | 2F | 26 | 80.90 | 87 | 60 | 30 | 40 | 8 |
| 40-AT10-27F | 2F | 27 | 84.05 | 91 | 60 | 30 | 40 | 8 |
| 40-AT10-28F | 2F | 28 | 87.25 | 94 | 60 | 30 | 40 | 8 |
| 40-AT10-30F | 2F | 30 | 93.65 | 97 | 60 | 30 | 40 | 8 |
| 40-AT10-32D | 2F | 32 | 100.00 | 112 | 65 | 30 | 40 | 10 |
| 40-AT10-36F | 2F | 36 | 112.75 | 120 | 70 | 30 | 40 | 10 |
| 40-AT10-40F | 2F | 40 | 125.45 | 135 | 80 | 30 | 40 | 10 |
| 40-AT10-40 | 2 | 44 | 138.20 | — | 88 | 30 | 40 | 10 |
| 40-AT10-44 | 2 | 48 | 150.95 | — | 95 | 30 | 40 | 16 |
| 40-AT10-48 | 2 | 48 | 150.95 | — | 95 | 30 | 40 | 16 |
| 40-AT10-60 | 2 | 60 | 189.15 | — | 110 | 30 | 40 | 16 |

T/AT Timing pulley



TYPE 2F

TYPE 2



AT10-47

PITCH=10mm FOR BELT WIDTH=30mm

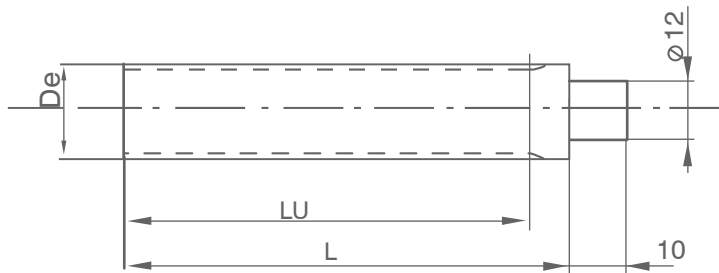
| SPCFCTN | TYPE | Z | De | Df | Dm | F | L | d |
|-------------|------|----|--------|-----|-----|----|----|----|
| 47-AT10-18F | 2F | 18 | 55.45 | 60 | 40 | 37 | 47 | 10 |
| 47-AT10-19F | 2F | 19 | 58.65 | 67 | 44 | 37 | 47 | 10 |
| 47-AT10-20F | 2F | 20 | 61.80 | 67 | 46 | 37 | 47 | 12 |
| 47-AT10-22F | 2F | 22 | 68.20 | 75 | 52 | 37 | 47 | 12 |
| 47-AT10-24F | 2F | 24 | 74.55 | 83 | 58 | 37 | 47 | 12 |
| 47-AT10-25F | 2F | 25 | 77.75 | 83 | 60 | 37 | 47 | 12 |
| 47-AT10-26F | 2F | 26 | 80.90 | 87 | 60 | 37 | 47 | 12 |
| 47-AT10-27F | 2F | 27 | 84.05 | 91 | 60 | 37 | 47 | 12 |
| 47-AT10-28F | 2F | 28 | 87.25 | 94 | 60 | 37 | 47 | 12 |
| 47-AT10-30F | 2F | 30 | 93.65 | 97 | 60 | 37 | 47 | 12 |
| 47-AT10-32F | 2F | 32 | 100.00 | 106 | 65 | 37 | 47 | 12 |
| 47-AT10-36F | 2F | 36 | 112.75 | 120 | 70 | 37 | 47 | 16 |
| 47-AT10-40F | 2F | 40 | 125.45 | 135 | 80 | 37 | 47 | 16 |
| 47-AT10-44 | 2 | 44 | 138.20 | — | 88 | 37 | 47 | 16 |
| 47-AT10-48 | 2 | 48 | 150.95 | — | 95 | 37 | 47 | 16 |
| 47-AT10-60 | 2 | 60 | 189.15 | — | 110 | 37 | 47 | 16 |

AT10-66

PITCH=10mm FOR BELT WIDTH=50mm

| SPCFCTN | TYPE | Z | De | Df | Dm | F | L | d |
|-------------|------|----|--------|-----|-----|----|----|----|
| 66-AT10-18F | 2F | 18 | 55.45 | 60 | 40 | 56 | 66 | 10 |
| 66-AT10-19F | 2F | 19 | 58.65 | 67 | 44 | 56 | 66 | 10 |
| 66-AT10-20F | 2F | 20 | 61.85 | 67 | 46 | 56 | 66 | 12 |
| 66-AT10-22F | 2F | 22 | 68.20 | 75 | 52 | 56 | 66 | 12 |
| 66-AT10-24F | 2F | 24 | 74.55 | 83 | 58 | 56 | 66 | 12 |
| 66-AT10-25F | 2F | 25 | 77.75 | 83 | 60 | 56 | 66 | 12 |
| 66-AT10-26F | 2F | 26 | 80.90 | 87 | 60 | 56 | 66 | 12 |
| 66-AT10-27F | 2F | 27 | 84.05 | 91 | 60 | 56 | 66 | 12 |
| 66-AT10-28F | 2F | 28 | 87.25 | 94 | 60 | 56 | 66 | 12 |
| 66-AT10-30F | 2F | 30 | 93.65 | 97 | 60 | 56 | 66 | 12 |
| 66-AT10-32F | 2F | 32 | 100.00 | 106 | 65 | 56 | 66 | 12 |
| 66-AT10-36F | 2F | 36 | 112.75 | 120 | 70 | 56 | 66 | 16 |
| 66-AT10-40F | 2F | 40 | 125.45 | 135 | 80 | 56 | 66 | 16 |
| 66-AT10-44 | 2 | 44 | 138.20 | — | 88 | 56 | 66 | 16 |
| 66-AT10-48 | 2 | 48 | 150.95 | — | 95 | 56 | 66 | 16 |
| 66-AT10-60 | 2 | 60 | 189.15 | — | 110 | 56 | 66 | 16 |

HTD *Standard toothed bars*



Special Note

We can also supply the flanges of the above timing belt pulleys separately. The customers can order flanges according to the corresponding pulley part number

AT5

| Spcfctn | Z | De | Lu | L |
|---------|----|--------|-----|-----|
| 12-AT5 | 12 | 17.85 | 125 | 140 |
| 13-AT5 | 13 | 19.45 | 125 | 140 |
| 14-AT5 | 14 | 21.05 | 132 | 140 |
| 15-AT5 | 15 | 22.65 | 132 | 140 |
| 16-AT5 | 16 | 24.20 | 140 | 140 |
| 17-AT5 | 17 | 25.80 | 140 | 140 |
| 18-AT5 | 18 | 27.40 | 140 | 140 |
| 19-AT5 | 19 | 29.00 | 140 | 140 |
| 20-AT5 | 20 | 30.60 | 160 | 160 |
| 21-AT5 | 21 | 32.30 | 160 | 160 |
| 22-AT5 | 22 | 33.85 | 160 | 160 |
| 23-AT5 | 23 | 35.45 | 160 | 160 |
| 24-AT5 | 24 | 37.00 | 160 | 160 |
| 25-AT5 | 25 | 38.55 | 160 | 160 |
| 26-AT5 | 26 | 40.20 | 160 | 160 |
| 27-AT5 | 27 | 41.80 | 160 | 160 |
| 28-AT5 | 28 | 43.35 | 160 | 160 |
| 29-AT5 | 29 | 44.95 | 160 | 160 |
| 30-AT5 | 30 | 46.55 | 160 | 160 |
| 31-AT5 | 31 | 48.15 | 160 | 160 |
| 32-AT5 | 32 | 49.70 | 160 | 160 |
| 33-AT5 | 33 | 51.30 | 160 | 160 |
| 34-AT5 | 34 | 52.85 | 160 | 160 |
| 35-AT5 | 35 | 54.45 | 160 | 160 |
| 36-AT5 | 36 | 56.05 | 160 | 160 |
| 38-AT5 | 38 | 59.25 | 160 | 160 |
| 40-AT5 | 40 | 62.45 | 160 | 160 |
| 42-AT5 | 42 | 65.60 | 160 | 160 |
| 44-AT5 | 44 | 68.80 | 160 | 160 |
| 45-AT5 | 45 | 70.40 | 160 | 160 |
| 46-AT5 | 46 | 72.00 | 160 | 160 |
| 48-AT5 | 48 | 75.15 | 160 | 160 |
| 50-AT5 | 50 | 78.35 | 160 | 160 |
| 52-AT5 | 52 | 81.55 | 160 | 160 |
| 54-AT5 | 54 | 84.70 | 160 | 160 |
| 55-AT5 | 55 | 86.30 | 160 | 160 |
| 56-AT5 | 56 | 87.90 | 160 | 160 |
| 58-AT5 | 58 | 91.10 | 160 | 160 |
| 60-AT5 | 60 | 94.25 | 160 | 160 |
| 62-AT5 | 62 | 97.45 | 160 | 160 |
| 64-AT5 | 64 | 100.65 | 160 | 160 |
| 65-AT5 | 65 | 102.25 | 160 | 160 |
| 70-AT5 | 70 | 110.20 | 160 | 160 |
| 72-AT5 | 72 | 113.25 | 160 | 160 |

AT10

| Specification | Z | De | Lu | L |
|---------------|----|--------|-----|-----|
| 15-AT10 | 15 | 45.90 | 160 | 160 |
| 16-AT10 | 16 | 49.10 | 160 | 160 |
| 17-AT10 | 17 | 52.25 | 160 | 160 |
| 18-AT10 | 18 | 55.45 | 160 | 160 |
| 19-AT10 | 19 | 58.65 | 160 | 160 |
| 20-AT10 | 20 | 61.80 | 160 | 160 |
| 21-AT10 | 21 | 65.00 | 160 | 160 |
| 22-AT10 | 22 | 68.20 | 160 | 160 |
| 23-AT10 | 23 | 71.35 | 160 | 160 |
| 24-AT10 | 24 | 74.55 | 160 | 160 |
| 25-AT10 | 25 | 77.75 | 160 | 160 |
| 26-AT10 | 26 | 80.90 | 160 | 160 |
| 27-AT10 | 27 | 84.05 | 160 | 160 |
| 28-AT10 | 28 | 87.25 | 160 | 160 |
| 29-AT10 | 29 | 90.45 | 160 | 160 |
| 30-AT10 | 30 | 93.65 | 160 | 160 |
| 31-AT10 | 31 | 96.80 | 160 | 160 |
| 32-AT10 | 32 | 100.00 | 160 | 160 |
| 33-AT10 | 33 | 103.20 | 160 | 160 |
| 34-AT10 | 34 | 106.40 | 160 | 160 |
| 35-AT10 | 35 | 109.55 | 160 | 160 |
| 36-AT10 | 36 | 112.75 | 160 | 160 |
| 37-AT10 | 37 | 115.90 | 160 | 160 |
| 38-AT10 | 38 | 119.10 | 160 | 160 |
| 40-AT10 | 40 | 125.45 | 160 | 160 |
| 41-AT10 | 41 | 128.65 | 160 | 160 |
| 42-AT10 | 42 | 131.85 | 160 | 160 |
| 44-AT10 | 44 | 138.20 | 160 | 160 |
| 45-AT10 | 45 | 141.40 | 160 | 160 |
| 46-AT10 | 46 | 144.55 | 160 | 160 |
| 48-AT10 | 48 | 150.95 | 160 | 160 |
| 50-AT10 | 50 | 157.30 | 160 | 160 |
| 51-AT10 | 51 | 160.50 | 160 | 160 |
| 52-AT10 | 52 | 163.65 | 160 | 160 |
| 54-AT10 | 54 | 170.05 | 160 | 160 |
| 55-AT10 | 55 | 173.20 | 160 | 160 |
| 56-AT10 | 56 | 176.40 | 160 | 160 |
| 57-AT10 | 57 | 179.60 | 160 | 160 |
| 58-AT10 | 58 | 182.75 | 160 | 160 |
| 59-AT10 | 59 | 185.95 | 160 | 160 |
| 60-AT10 | 60 | 189.15 | 160 | 160 |
| 62-AT10 | 62 | 195.50 | 160 | 160 |
| 70-AT10 | 70 | 220.95 | 160 | 160 |
| 75-AT10 | 75 | 236.90 | 160 | 160 |