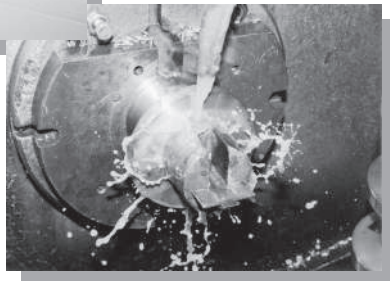




V-pulleys

BS3790 - 1981

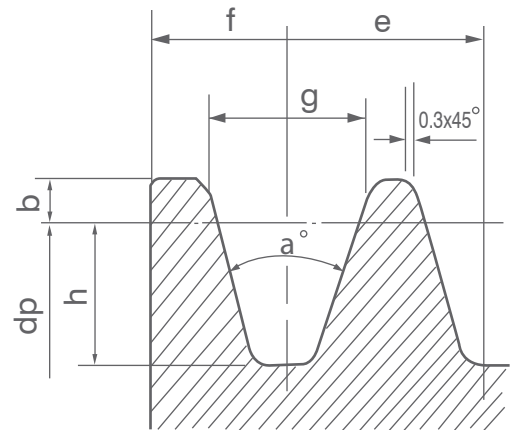
SPA-SPB-SPC-SPZ





V-pulleys

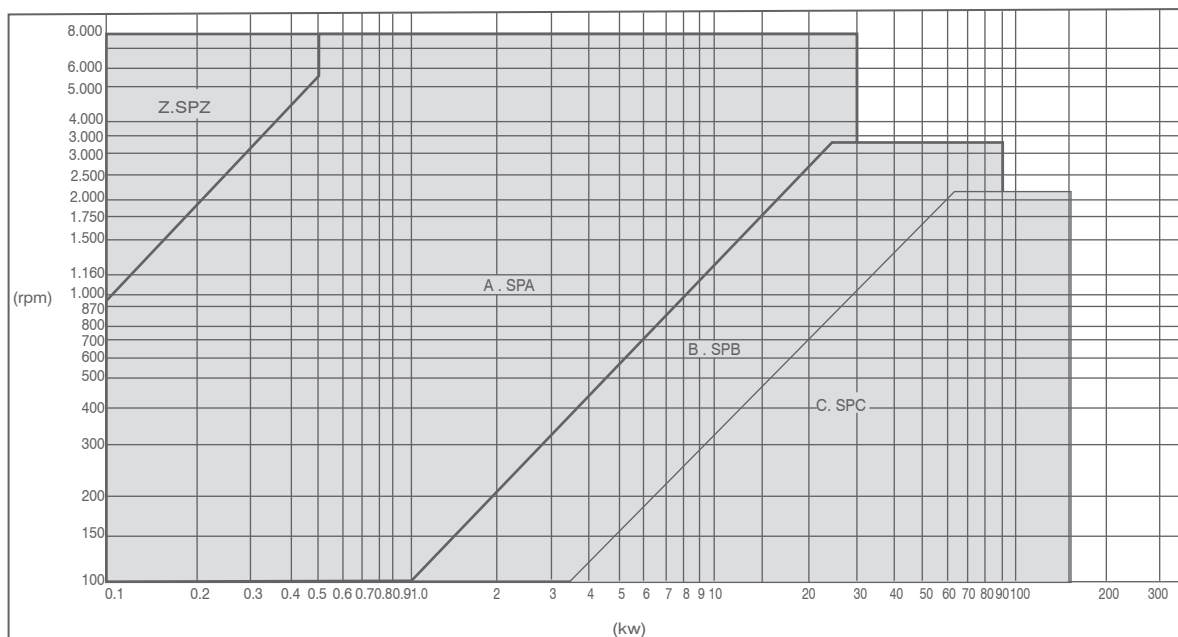
BS3790 - 1981



SPZ - SPA - SPB - SPC

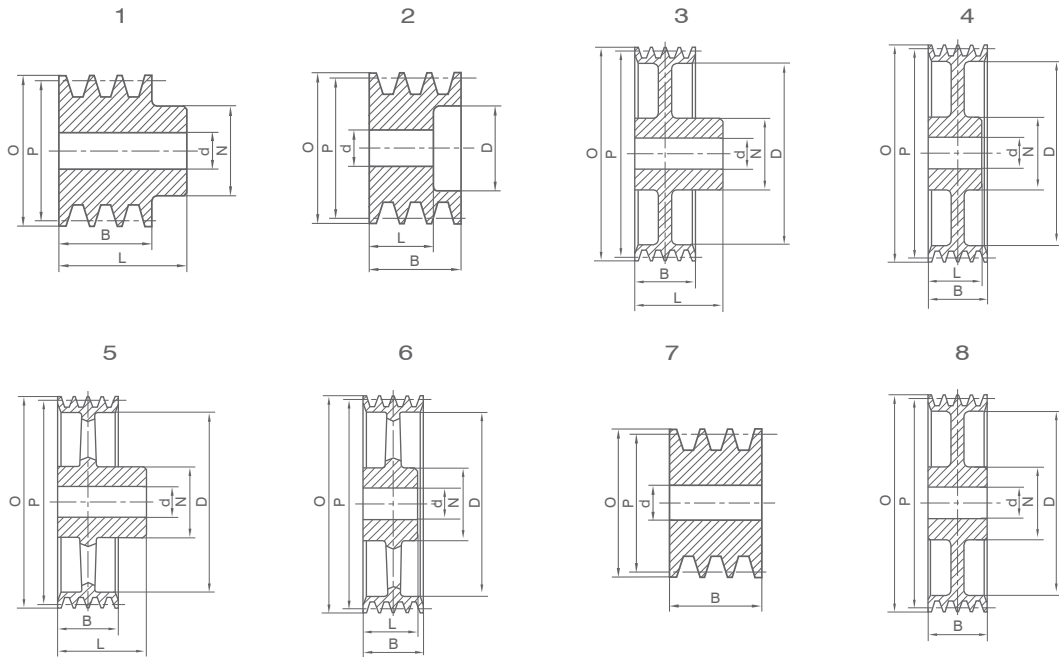
SEZIONE	PD(mm)	a°	f	e	g	h	b
Z-SPZ	<80	34	8	12	9.7	9	2
	>80	38			9.9		
A-SPA	<118	34	10	15	12.7	11	2.75
	>118	38			12.9		
B-SPB	<190	34	12.5	19	16.1	14	3.5
	>190	38			16.4		
C-SPC	<315	34	17	25.5	21.9	19	4.8
	>315	38			22.3		

SELECTION FOR STOCK V-BELT PULLEYS



S tandard
B ore *V-pulleys*

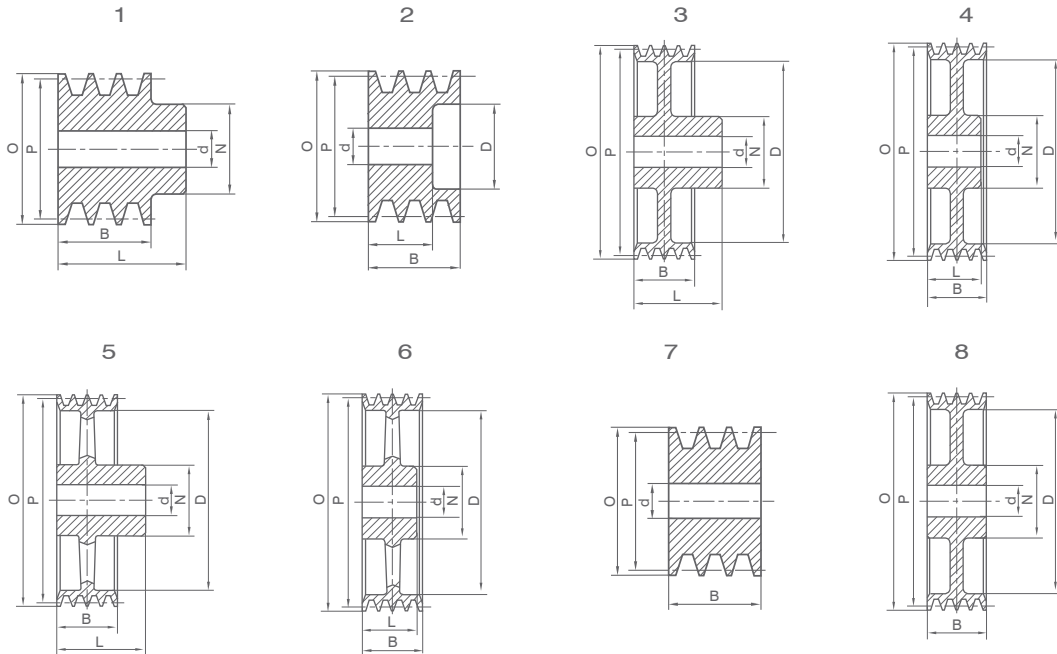
SPZ-1



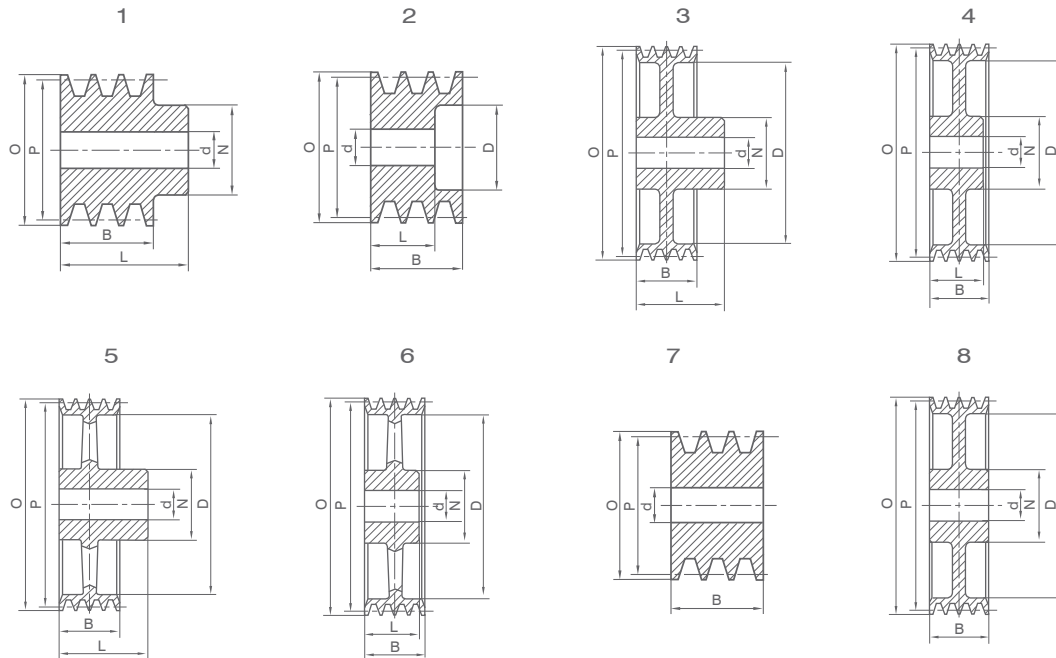
PART NO.	NO.OF GROOVES	O.D	R.D	TYPE	N	L	D	E	B	d
SPZ50-1S	1	54	50	1	40	28	—	—	16	10
SPZ56-1S	1	60	56	1	45	28	—	—	16	10
SPZ63-1S	1	67	63	1	50	28	—	—	16	10
SPZ71-1S	1	75	71	1	50	28	—	—	16	10
SPZ75-1S	1	79	75	1	50	28	—	—	16	10
SPZ80-1S	1	84	80	1	50	28	—	—	16	10
SPZ85-1S	1	89	85	1	50	28	—	—	16	10
SPZ90-1S	1	94	90	1	50	28	—	—	16	10
SPZ95-1S	1	99	95	1	50	28	—	—	16	10
SPZ100-1S	1	104	100	1	50	28	—	—	16	10
SPZ106-1S	1	110	106	1	50	28	—	—	16	10
SPZ112-1S	1	116	112	1	50	28	—	—	16	10
SPZ118-1S	1	122	118	3	50	28	93	8	16	10
SPZ125-1S	1	129	125	3	50	28	100	8	16	15
SPZ132-1S	1	136	132	3	50	28	106	8	16	15
SPZ140-1S	1	144	140	3	50	28	114	8	16	15
SPZ150-1S	1	154	150	3	50	28	124	8	16	15
SPZ160-1S	1	164	160	3	55	32	134	8	16	15
SPZ180-1S	1	184	180	5	55	32	154	8	16	20
SPZ200-1S	1	204	200	5	55	32	174	8	16	20
SPZ224-1S	1	228	224	5	55	32	198	8	16	20
SPZ250-1S	1	254	250	5	55	32	224	8	16	20

S tandard
B ore *V-pulleys*

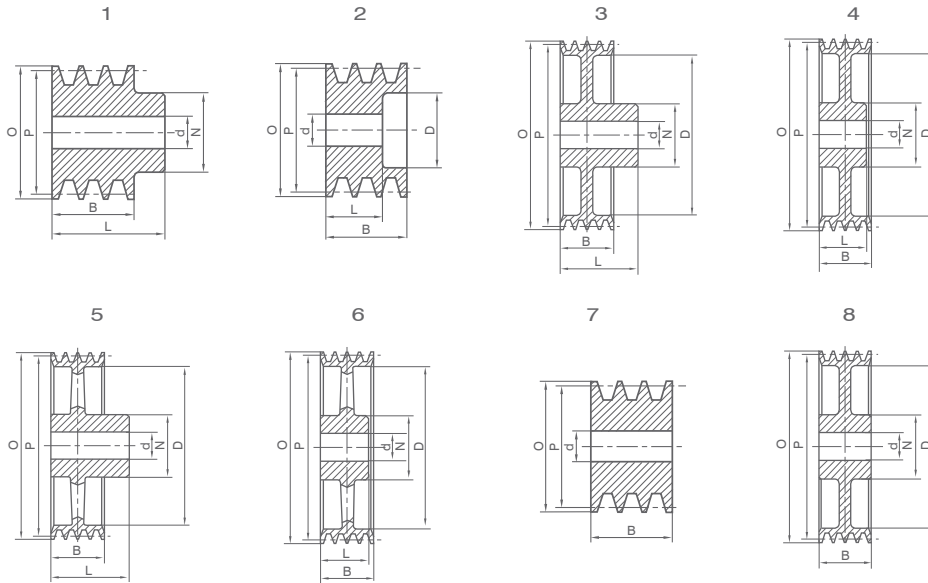
SPZ-2



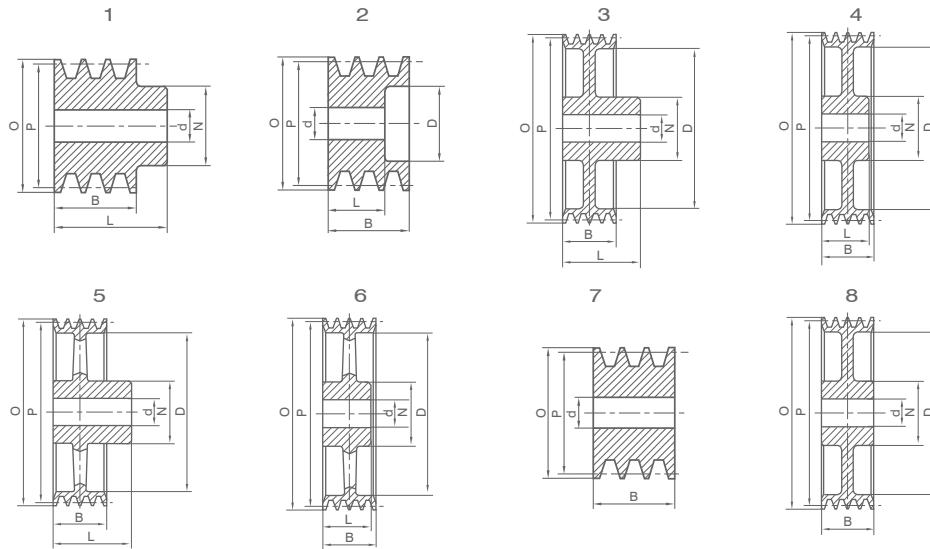
PART NO.	NO.OF GROOVES	O.D	P.D	TYPE	N	L	D	E	B	d
SPZ50-2S	2	54	50	1	40	35	—	—	28	10
SPZ56-2S	2	60	56	1	45	35	—	—	28	10
SPZ63-2S	2	67	63	1	50	35	—	—	28	10
SPZ71-2S	2	75	71	1	55	35	—	—	28	10
SPZ75-2S	2	79	75	1	60	35	—	—	28	10
SPZ80-2S	2	84	80	1	60	35	—	—	28	10
SPZ85-2S	2	89	85	1	60	35	—	—	28	10
SPZ90-2S	2	94	90	1	60	35	—	—	28	10
SPZ95-2S	2	99	95	1	60	35	—	—	28	15
SPZ100-2S	2	104	100	1	60	35	—	—	28	15
SPZ106-2S	2	110	106	1	60	35	—	—	28	15
SPZ112-2S	2	116	112	1	60	35	—	—	28	15
SPZ118-2S	2	122	118	3	60	35	97	8	28	15
SPZ125-2S	2	129	125	3	60	35	99	8	28	15
SPZ132-2S	2	136	132	3	60	40	105	8	28	15
SPZ140-2S	2	144	140	3	60	40	114	8	28	15
SPZ150-2S	2	154	150	3	60	40	124	8	28	15
SPZ160-2S	2	164	160	3	60	40	134	8	28	15
SPZ180-2S	2	184	180	5	60	40	154	8	28	20
SPZ200-2S	2	204	200	5	60	40	174	8	28	20
SPZ224-2S	2	228	224	5	60	40	198	8	28	20
SPZ250-2S	2	254	250	5	60	40	224	10	28	20
SPZ280-2S	2	284	280	5	65	45	254	10	28	20
SPZ315-2S	2	319	315	5	65	45	289	10	28	20



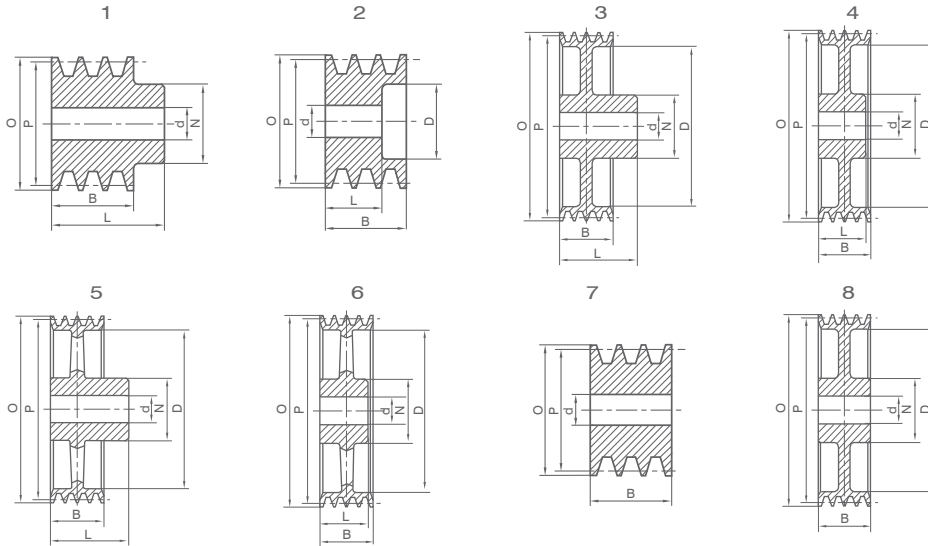
PART NO.	NO.OF GROOVES	O.D	P.D	TYPE	N	L	D	E	B	d
SPZ50-3S	3	54	50	7	—	—	—	—	40	10
SPZ56-3S	3	60	56	7	—	—	—	—	40	10
SPZ63-3S	3	67	63	7	—	—	—	—	40	10
SPZ71-3S	3	75	71	7	—	—	—	—	40	10
SPZ75-3S	3	79	75	7	—	—	—	—	40	10
SPZ80-3S	3	84	80	7	—	—	—	—	40	10
SPZ85-3S	3	89	85	7	—	—	—	—	40	15
SPZ90-3S	3	94	90	7	—	—	—	—	40	15
SPZ95-3S	3	99	95	7	—	—	—	—	40	15
SPZ100-3S	3	104	100	7	—	—	—	—	40	15
SPZ106-3S	3	110	106	7	—	—	—	—	40	15
SPZ112-3S	3	116	112	7	—	—	—	—	40	15
SPZ118-3S	3	122	118	7	—	—	—	—	40	15
SPZ125-3S	3	129	125	7	—	—	—	—	40	15
SPZ132-3S	3	136	132	8	60	40	106	8	40	15
SPZ140-3S	3	144	140	8	60	40	114	8	40	15
SPZ150-3S	3	154	150	8	60	40	124	8	40	20
SPZ160-3S	3	164	160	3	65	45	134	8	40	20
SPZ180-3S	3	184	180	5	65	45	154	8	40	20
SPZ200-3S	3	204	200	5	65	45	174	10	40	20
SPZ224-3S	3	228	224	5	65	45	198	10	40	20
SPZ250-3S	3	254	250	5	65	45	224	12	40	20



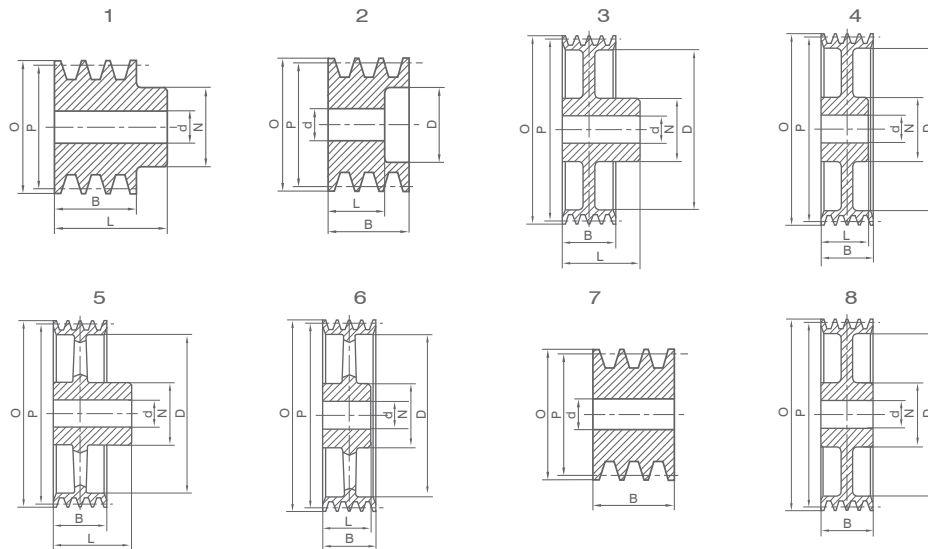
PART NO.	NO.OF GROOVES	O.D	P.D	TYPE	N	L	D	E	B	d
SPA40-1S	1	45.5	40	1	40	35	—	—	20	10
SPA50-1S	1	55.5	50	1	40	35	—	—	20	10
SPA60-1S	1	65.5	60	1	40	35	—	—	20	10
SPA71-1S	1	76.5	71	1	40	40	—	—	20	10
SPA75-1S	1	80.5	75	1	40	40	—	—	20	10
SPA80-1S	1	85.5	80	1	45	40	—	—	20	10
SPA85-1S	1	90.5	85	1	45	40	—	—	20	10
SPA90-1S	1	95.5	90	1	45	40	—	—	20	10
SPA95-1S	1	100.5	95	1	45	40	—	—	20	10
SPA100-1S	1	105.5	100	1	48	40	—	—	20	10
SPA106-1S	1	111.5	106	1	48	40	—	—	20	10
SPA112-1S	1	117.5	112	1	48	40	—	—	20	10
SPA118-1S	1	123.5	118	1	60	40	—	—	20	15
SPA132-1S	1	137.5	132	1	60	40	—	—	20	15
SPA140-1S	1	145.5	140	3	60	40	107	10	20	15
SPA150-1S	1	155.5	150	3	60	40	117	10	20	15
SPA160-1S	1	165.5	160	3	60	40	127	10	20	15
SPA170-1S	1	175.5	170	3	60	40	137	10	20	15
SPA180-1S	1	185.5	180	3	65	40	147	10	20	20
SPA200-1S	1	205.5	200	3	65	45	167	10	20	20
SPA224-1S	1	229.5	224	3	65	45	192	10	20	20
SPA250-1S	1	255.5	250	3	75	50	217	12	20	20
SPA280-1S	1	285.5	280	5	75	50	247	14	20	20
SPA300-1S	1	305.5	300	5	75	50	267	14	20	20
SPA315-1S	1	320.5	315	5	75	60	282	14	20	20
SPA355-1S	1	360.5	355	5	75	50	322	14	20	20
SPA400-1S	1	405.5	400	5	90	50	367	14	20	20
SPA450-1S	1	455.5	450	5	90	50	417	14	20	20



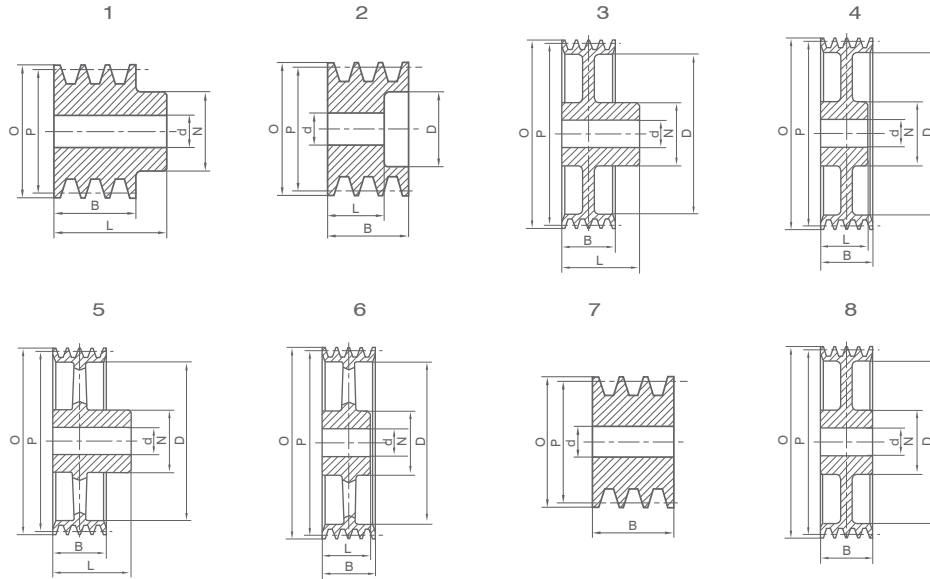
PART NO.	NO.OF GROOVES	O.D	P.D	TYPE	N	L	D	E	B	d
SPA50-2S	2	55.5	50	1	40	45	—	—	35	10
SPA60-2S	2	65.5	60	1	40	45	—	—	35	10
SPA71-2S	2	76.5	71	1	50	45	—	—	35	10
SPA75-2S	2	80.5	75	1	50	45	—	—	35	10
SPA80-2S	2	85.5	80	1	50	45	—	—	35	10
SPA85-2S	2	90.5	85	1	50	45	—	—	35	10
SPA90-2S	2	95.5	90	1	60	45	—	—	35	15
SPA95-2S	2	100.5	95	1	60	45	—	—	35	15
SPA100-2S	2	105.5	100	1	60	45	—	—	35	15
SPA106-2S	2	111.5	106	1	60	45	—	—	35	15
SPA112-2S	2	117.5	112	1	60	45	—	—	35	15
SPA118-2S	2	123.5	118	1	60	45	—	—	35	15
SPA132-2S	2	137.5	132	1	60	45	—	—	35	15
SPA140-2S	2	145.5	140	3	60	45	107	10	35	15
SPA150-2S	2	155.5	150	3	60	45	117	10	35	15
SPA160-2S	2	165.5	160	3	60	45	127	10	35	15
SPA170-2S	2	175.5	170	3	60	45	137	10	35	15
SPA180-2S	2	185.5	180	3	70	50	147	12	35	20
SPA200-2S	2	205.5	200	3	70	50	167	12	35	20
SPA224-2S	2	229.5	224	3	70	50	192	12	35	20
SPA250-2S	2	255.5	250	3	75	50	217	12	35	20
SPA280-2S	2	285.5	280	5	80	50	247	14	35	20
SPA300-2S	2	305.5	300	5	80	50	267	14	35	20
SPA315-2S	2	320.5	315	5	80	50	282	14	35	20
SPA355-2S	2	360.5	355	5	80	50	322	14	35	20
SPA400-2S	2	405.5	400	5	90	50	367	14	35	20
SPA450-2S	2	455.5	450	5	100	50	417	14	35	25
SPA500-2S	2	505.5	500	5	100	50	467	16	35	25
SPA560-2S	2	565.5	560	5	100	50	527	18	35	25
SPA600-2S	2	605.5	600	5	110	50	567	18	35	25
SPA630-2S	2	635.5	630	5	110	50	597	18	35	25



PART NO.	NO.OF GROOVES	O.D	P.D	TYPE	N	L	D	E	B	d
SPA60-3S	3	65.5	60	7	—	—	—	—	50	10
SPA71-3S	3	76.5	71	1	52	52	—	—	50	10
SPA75-3S	3	80.5	75	7	—	—	—	—	50	10
SPA80-3S	3	85.5	80	7	—	—	—	—	50	15
SPA85-3S	3	90.5	85	7	—	—	—	—	50	15
SPA90-3S	3	95.5	90	7	—	—	—	—	50	15
SPA95-3S	3	100.5	95	7	—	—	—	—	50	15
SPA100-3S	3	105.5	100	7	—	—	—	—	50	15
SPA112-3S	3	117.5	112	7	—	—	—	—	50	15
SPA118-3S	3	123.5	118	7	—	—	—	—	50	15
SPA132-3S	3	137.5	132	7	—	—	—	—	50	15
SPA140-3S	3	145.5	140	3	65	52	107	12	50	15
SPA150-3S	3	155.5	150	3	65	52	117	12	50	20
SPA160-3S	3	165.5	160	3	70	52	127	12	50	20
SPA170-3S	3	175.5	170	3	70	52	137	12	50	20
SPA180-3S	3	185.5	180	3	70	52	147	12	50	20
SPA200-3S	3	205.5	200	3	70	52	167	12	50	20
SPA224-3S	3	229.5	224	3	80	52	192	12	50	20
SPA250-3S	3	255.5	250	3	80	60	217	12	50	20
SPA280-3S	3	285.5	280	5	80	60	247	14	50	20
SPA300-3S	3	305.5	300	5	80	60	267	14	50	20
SPA315-3S	3	320.5	315	5	90	60	282	14	50	20
SPA355-3S	3	360.5	355	5	90	60	322	14	50	20
SPA400-3S	3	405.5	400	5	100	60	367	16	50	25
SPA450-3S	3	455.5	450	5	100	60	417	16	50	25
SPA500-3S	3	505.5	500	5	105	60	467	20	50	25
SPA560-3S	3	565.5	560	5	120	65	527	20	50	25
SPA600-3S	3	605.5	600	5	120	65	567	20	50	25
SPA630-3S	3	635.5	630	5	120	65	597	20	50	25



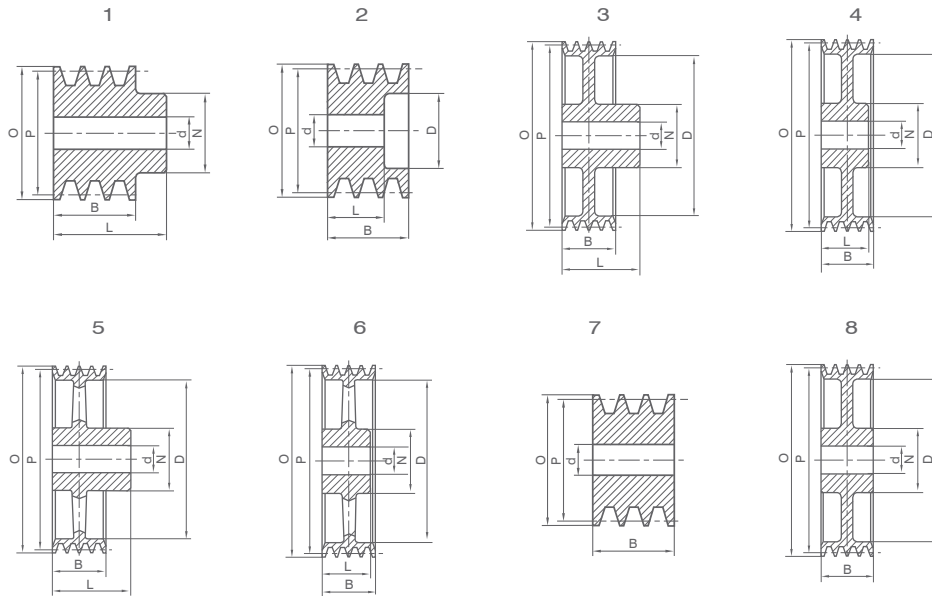
PART NO.	NO.OF GROOVES	O.D	R.D	TYPE	N	L	D	E	B	d
SPA75-4S	4	80.5	75	7	—	—	—	—	65	10
SPA80-4S	4	85.5	80	7	—	—	—	—	65	15
SPA85-4S	4	90.5	85	7	—	—	—	—	65	15
SPA90-4S	4	95.5	90	7	—	—	—	—	65	15
SPA95-4S	4	100.5	95	7	—	—	—	—	65	15
SPA100-4S	4	105.5	100	2	—	52	67	—	65	15
SPA112-4S	4	117.5	112	2	—	52	79	—	65	15
SPA118-4S	4	123.5	118	2	—	52	87	—	65	15
SPA132-4S	4	137.5	132	2	—	52	97	—	65	15
SPA140-4S	4	145.5	140	2	—	52	107	—	65	20
SPA150-4S	4	155.5	150	2	—	52	117	—	65	20
SPA160-4S	4	165.5	160	4	70	52	127	12	65	20
SPA170-4S	4	175.5	170	4	80	52	137	12	65	20
SPA180-4S	4	185.5	180	4	80	60	147	12	65	20
SPA200-4S	4	205.5	200	4	80	60	167	12	65	20
SPA224-4S	4	229.5	224	4	90	60	192	12	65	20
SPA250-4S	4	255.5	250	3	90	65	217	12	65	20
SPA280-4S	4	285.5	280	5	90	65	247	14	65	20
SPA300-4S	4	305.5	300	5	90	65	267	14	65	20
SPA315-4S	4	320.5	315	5	90	65	282	14	65	20
SPA355-4S	4	360.5	355	5	90	65	322	16	65	25
SPA400-4S	4	405.5	400	5	100	65	367	20	65	25
SPA450-4S	4	455.5	450	5	105	65	417	20	65	25
SPA500-4S	4	505.5	500	5	105	65	467	20	65	25
SPA560-4S	4	565.5	560	5	120	65	527	22	65	25
SPA600-4S	4	605.5	600	5	120	65	567	22	65	25
SPA630-4S	4	635.5	630	5	120	65	597	22	65	25



PART NO.	NO.OF GROOVES	O.D	P.D	TYPE	N	L	D	E	B	d
SPA75-5S	5	80.5	75	7	—	—	—	—	80	10
SPA80-5S	5	85.5	80	7	—	—	—	—	80	15
SPA85-5S	5	90.5	85	7	—	—	—	—	80	15
SPA90-5S	5	95.5	90	7	—	—	—	—	80	15
SPA95-5S	5	100.5	95	7	—	—	—	—	80	15
SPA100-5S	5	105.5	100	2	—	52	67	—	80	15
SPA112-5S	5	117.5	112	2	—	52	79	—	80	15
SPA118-5S	5	123.5	118	2	—	52	87	—	80	15
SPA132-5S	5	137.5	132	2	—	52	97	—	80	15
SPA140-5S	5	145.5	140	2	—	52	107	—	80	20
SPA150-5S	5	155.5	150	2	—	52	117	—	80	20
SPA160-5S	5	165.5	160	4	80	52	127	12	80	20
SPA170-5S	5	175.5	170	4	80	52	137	12	80	20
SPA180-5S	5	185.5	180	4	80	65	147	12	80	20
SPA200-5S	5	205.5	200	4	80	65	167	12	80	20
SPA224-5S	5	229.5	224	4	90	65	192	12	80	20
SPA250-5S	5	255.5	250	4	90	65	217	12	80	20
SPA280-5S	5	285.5	280	6	100	65	247	14	80	25
SPA300-5S	5	305.5	300	6	100	65	267	14	80	25
SPA315-5S	5	320.5	315	6	100	65	282	16	80	25
SPA355-5S	5	360.5	355	6	100	65	322	18	80	25
SPA400-5S	5	405.5	400	6	100	65	367	22	80	25
SPA450-5S	5	455.5	450	6	105	65	417	22	80	25
SPA500-5S	5	505.5	500	6	110	65	467	22	80	25
SPA560-5S	5	565.5	560	5	120	80	527	24	80	25
SPA600-5S	5	605.5	600	5	120	80	567	24	80	25
SPA630-5S	5	635.5	630	5	120	80	597	24	80	25

S standard
B ore *V-pulleys*

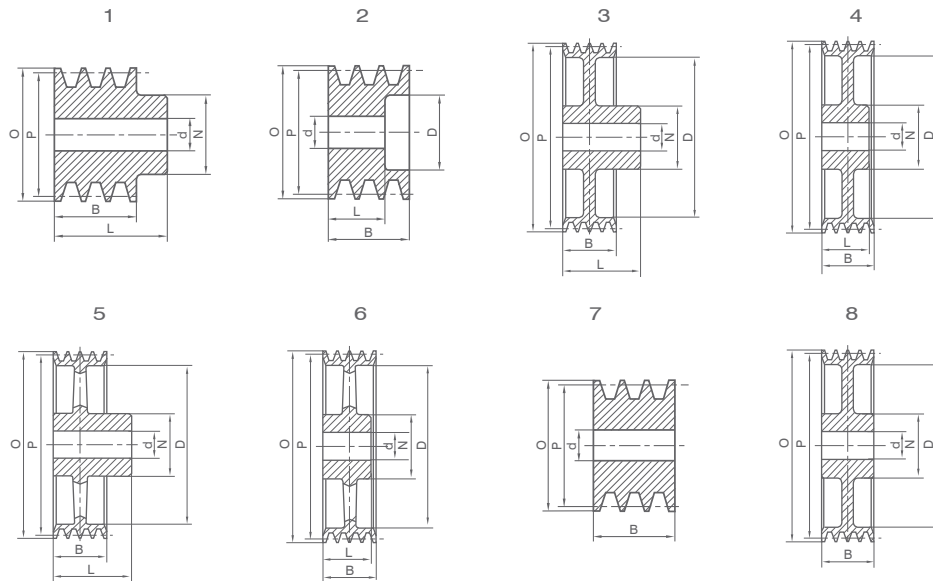
SPB-1



PART NO.	NO.OF GROOVES	O.D	P.D	TYPE	N	L	D	E	B	d
SPB70-1S	1	77	70	1	45	45	—	—	25	10
SPB80-1S	1	87	80	1	50	45	—	—	25	10
SPB90-1S	1	97	90	1	50	45	—	—	25	10
SPB100-1S	1	107	100	1	52	45	—	—	25	10
SPB112-1S	1	119	112	1	55	45	—	—	25	15
SPB120-1S	1	127	120	1	55	45	—	—	25	15
SPB125-1S	1	132	125	1	58	45	—	—	25	15
SPB132-1S	1	139	132	1	60	45	—	—	25	15
SPB140-1S	1	147	140	1	65	45	—	—	25	20
SPB150-1S	1	157	150	1	65	45	—	—	25	20
SPB160-1S	1	167	160	3	65	45	118	12	25	20
SPB170-1S	1	177	170	3	65	45	128	12	25	20
SPB180-1S	1	187	180	3	65	45	138	12	25	20
SPB200-1S	1	207	200	3	70	45	158	14	25	20
SPB212-1S	1	219	212	3	70	45	170	14	25	20
SPB225-1S	1	232	225	3	70	45	183	14	25	20
SPB250-1S	1	257	250	3	70	50	208	14	25	20
SPB280-1S	1	287	280	3	76	50	238	14	25	20
SPB300-1S	1	307	300	5	76	50	258	15	25	20
SPB315-1S	1	322	315	5	76	50	273	15	25	20
SPB355-1S	1	362	355	5	80	50	313	15	25	20
SPB400-1S	1	407	400	5	85	55	358	18	25	20
SPB450-1S	1	457	450	5	90	60	408	18	25	20
SPB500-1S	1	507	500	5	100	60	458	18	25	25
SPB560-1S	1	567	560	5	100	60	518	18	25	25
SPA600-1S	1	607	600	5	100	60	558	18	25	25
SPB630-1S	1	637	630	5	100	60	588	18	25	25

S standard
B ore *V-pulleys*

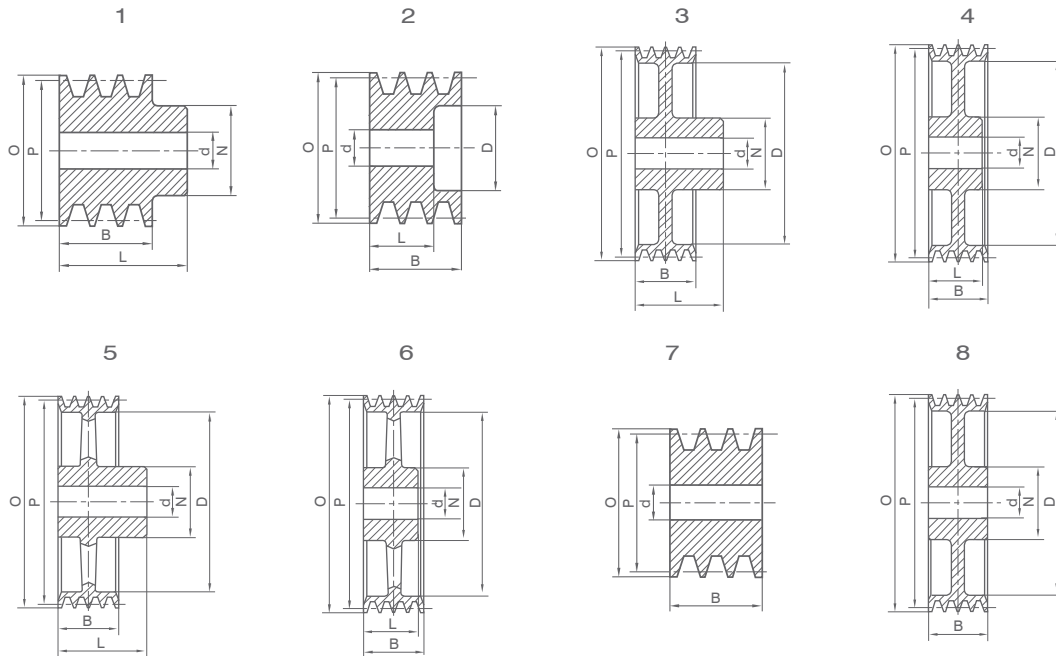
SPB-2



PART NO.	NO.OF GROOVES	O.D	P.D	TYPE	N	L	D	E	B	d
SPB70-2S	2	77	70	1	45	55	—	—	44	10
SPB80-2S	2	87	80	1	50	55	—	—	44	10
SPB90-2S	2	97	90	1	50	55	—	—	44	10
SPB100-2S	2	107	100	1	55	55	—	—	44	15
SPB112-2S	2	119	112	1	60	55	—	—	44	15
SPB120-2S	2	127	120	1	60	55	—	—	44	15
SPB125-2S	2	132	125	1	60	55	—	—	44	15
SPB132-2S	2	139	132	1	60	55	—	—	44	15
SPB140-2S	2	147	140	1	65	55	—	—	44	20
SPB150-2S	2	157	150	1	65	55	—	—	44	20
SPB160-2S	2	167	160	3	70	55	118	12	44	20
SPB170-2S	2	177	170	3	70	55	128	12	44	20
SPB180-2S	2	187	180	3	70	55	138	12	44	20
SPB2000-2S	2	207	200	3	70	55	158	12	44	20
SPB212-2S	2	219	212	3	77	55	170	14	44	20
SPB225-2S	2	232	225	3	77	55	183	14	44	20
SPB250-2S	2	257	250	3	77	55	208	14	44	20
SPB280-2S	2	287	280	3	80	55	238	14	44	20
SPB300-2S	2	307	300	5	80	55	258	15	44	20
SPB315-2S	2	322	315	5	88	60	273	15	44	20
SPB355-2S	2	362	355	5	88	60	313	15	44	20
SPB400-2S	2	407	400	5	88	60	358	18	44	20
SPB450-2S	2	457	450	5	90	60	408	18	44	20
SPB500-2S	2	507	500	5	100	65	458	20	44	25
SPB560-2S	2	567	560	5	100	65	518	20	44	25
SPB600-2S	2	607	600	5	100	65	558	20	44	25
SPB630-2S	2	637	630	5	100	65	588	20	44	25

S standard
B ore *V-pulleys*

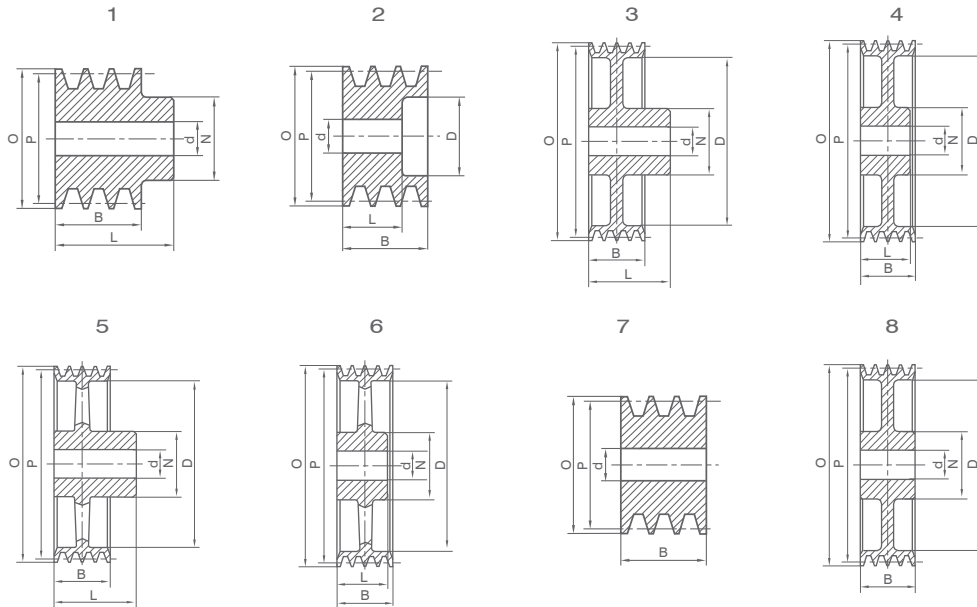
SPB-3



PART NO.	NO.OF GROOVES	O.D	P.D	TYPE	N	L	D	E	B	d
SPB80-3S	3	87	80	7	—	—	—	—	63	15
SPB90-3S	3	97	90	7	—	—	—	—	63	15
SPB100-3S	3	107	100	7	—	—	—	—	63	15
SPB112-3S	3	119	112	7	—	—	—	—	63	15
SPB120-3S	3	127	120	7	—	—	—	—	63	15
SPB125-3S	3	132	125	2	—	60	83	—	63	15
SPB132-3S	3	139	132	2	—	60	88	—	63	15
SPB140-3S	3	147	140	2	—	60	98	—	63	20
SPB150-3S	3	157	150	2	—	60	108	—	63	20
SPB160-3S	3	167	160	2	—	60	118	—	63	20
SPB170-3S	3	177	170	4	70	60	128	18	63	20
SPB180-3S	3	187	180	4	80	60	138	18	63	20
SPB200-3S	3	207	200	4	80	60	158	18	63	20
SPB212-3S	3	219	212	4	80	60	170	18	63	20
SPB225-3S	3	232	225	4	80	60	183	18	63	20
SPB250-3S	3	257	250	4	80	60	208	18	63	20
SPB280-3S	3	287	280	4	90	60	238	18	63	20
SPB300-3S	3	307	300	6	90	60	258	18	63	20
SPB315-3S	3	322	315	6	90	60	273	18	63	20
SPB355-3S	3	362	355	6	92	60	313	18	63	25
SPB400-3S	3	407	400	5	96	65	358	22	63	25
SPB450-3S	3	457	450	5	96	65	408	22	63	25
SPB500-3S	3	507	500	5	104	75	458	24	63	25
SPB560-3S	3	567	560	5	104	75	518	24	63	25
SPB600-3S	3	607	600	5	104	75	558	24	63	25
SPB630-3S	3	637	630	5	105	75	588	26	63	25

S tandard
B ore *V-pulleys*

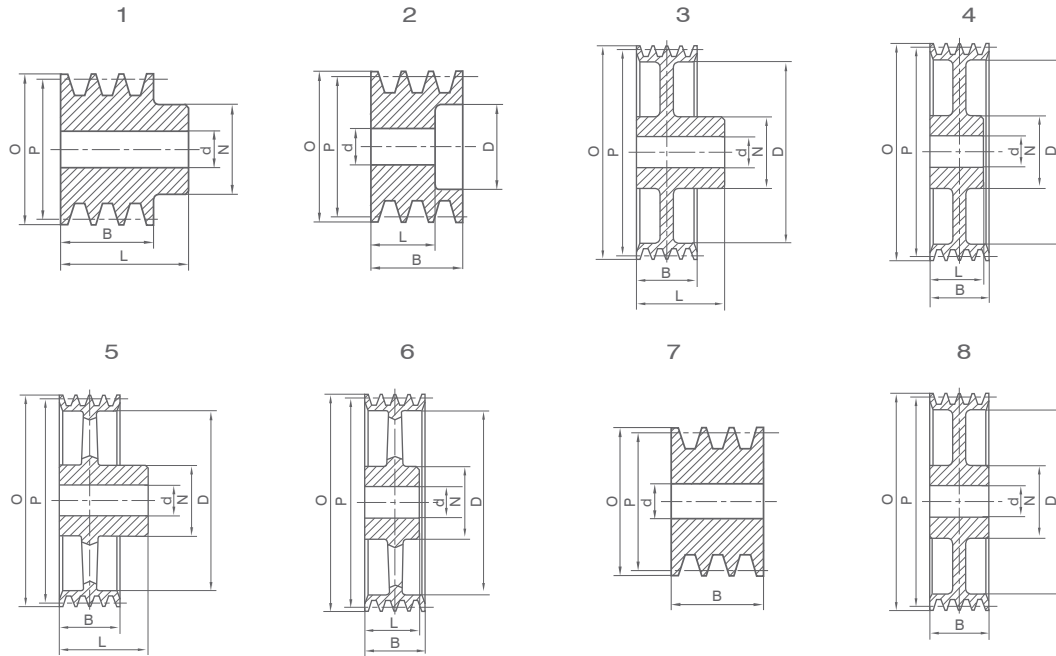
SPB-4



PART NO.	NO.OF GROOVES	O.D	P.D	TYPE	N	L	D	E	B	d
SPB80-4S	4	87	80	7	—	—	—	—	82	15
SPB90-4S	4	97	90	7	—	—	—	—	82	15
SPB100-4S	4	107	100	7	—	—	—	—	82	15
SPB112-4S	4	119	112	7	—	—	—	—	82	20
SPB120-4S	4	127	120	7	—	—	—	—	82	20
SPB125-4S	4	132	125	2	—	60	83	—	82	20
SPB132-4S	4	139	132	2	—	60	88	—	82	20
SPB140-4S	4	147	140	2	—	60	98	—	82	20
SPB150-4S	4	157	150	2	—	60	108	—	82	20
SPB160-4S	4	167	160	2	—	60	118	—	82	20
SPB170-4S	4	177	170	4	70	60	128	20	82	20
SPB180-4S	4	187	180	4	80	60	138	20	82	20
SPB200-4S	4	207	200	4	88	60	158	25	82	20
SPB212-4S	4	219	212	4	88	60	170	25	82	20
SPB225-4S	4	232	225	4	88	60	183	25	82	20
SPB250-4S	4	257	250	4	96	65	208	25	82	25
SPB280-4S	4	287	280	4	96	65	238	25	82	25
SPB300-4S	4	307	300	6	96	65	258	20	82	25
SPB315-4S	4	322	315	6	96	65	273	20	82	25
SPB355-4S	4	362	355	6	96	65	313	20	82	25
SPB400-4S	4	407	400	6	104	75	358	24	82	25
SPB450-4S	4	457	450	6	104	75	408	24	82	25
SPB500-4S	4	507	500	5	112	85	458	28	82	25
SPB560-4S	4	567	560	5	112	85	518	28	82	25
SPB600-4S	4	607	600	5	115	85	558	28	82	25
SPB630-4S	4	637	630	5	120	85	588	28	82	25

S standard
B ore *V-pulleys*

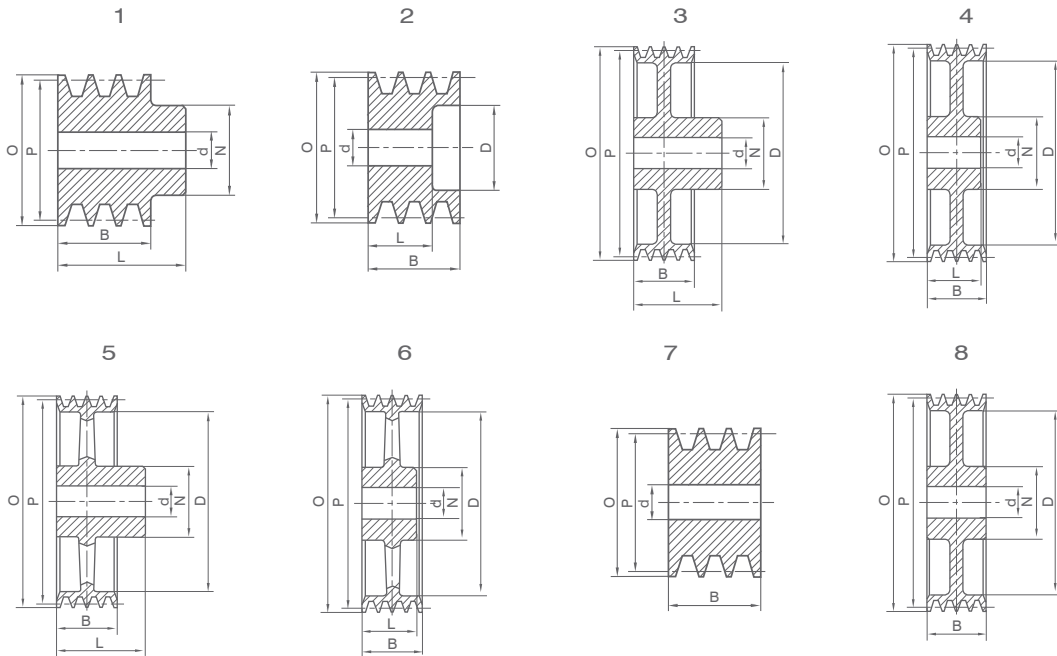
SPB-5



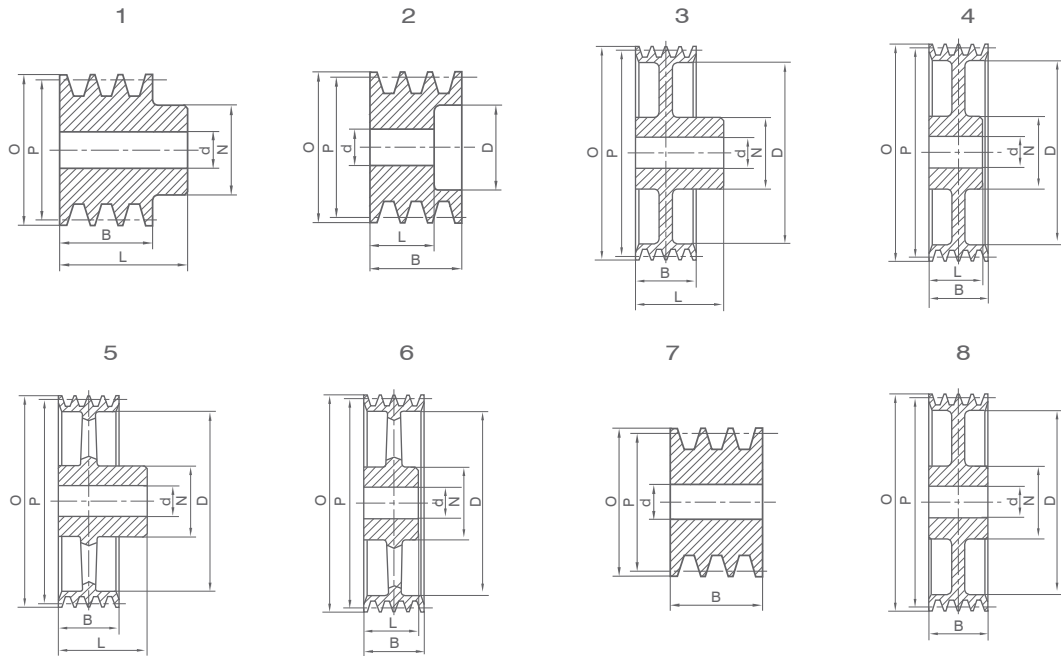
PART NO.	NO.OF GROOVES	O.D	P.D	TYPE	N	L	D	E	B	d
SPB80-5S	5	87	80	7	—	—	—	—	101	15
SPB90-5S	5	97	90	7	—	—	—	—	101	15
SPB100-5S	5	107	100	7	—	—	—	—	101	15
SPB112-5S	5	119	112	7	—	—	—	—	101	20
SPB120-5S	5	127	120	7	—	—	—	—	101	20
SPB125-5S	5	132	125	2	—	60	83	—	101	20
SPB132-5S	5	139	132	2	—	60	88	—	101	20
SPB140-5S	5	147	140	2	—	60	98	—	101	20
SPB150-5S	5	157	150	2	—	60	108	—	101	20
SPB160-5S	5	167	160	2	—	60	118	—	101	20
SPB170-5S	5	177	170	4	70	60	128	22	101	20
SPB180-5S	5	187	180	4	80	70	138	22	101	20
SPB200-5S	5	207	200	4	96	70	158	25	101	25
SPB212-5S	5	219	212	4	96	70	170	25	101	25
SPB225-5S	5	232	225	4	96	70	183	25	101	25
SPB250-5S	5	257	250	4	104	75	208	25	101	25
SPB280-5S	5	287	280	4	104	75	238	25	101	25
SPB300-5S	5	307	300	6	104	75	258	22	101	25
SPB315-5S	5	322	315	6	104	75	273	22	101	25
SPB355-5S	5	362	355	6	104	75	313	22	101	25
SPB400-5S	5	407	400	6	112	85	358	24	101	25
SPB450-5S	5	457	450	6	112	85	408	26	101	25
SPB500-5S	5	507	500	6	120	90	458	30	101	25
SPB560-5S	5	567	560	6	120	90	518	30	101	25
SPB600-5S	5	607	600	6	120	90	558	30	101	25
SPB630-5S	5	637	630	6	128	90	588	30	101	25

S tandard
B ore *V-pulleys*

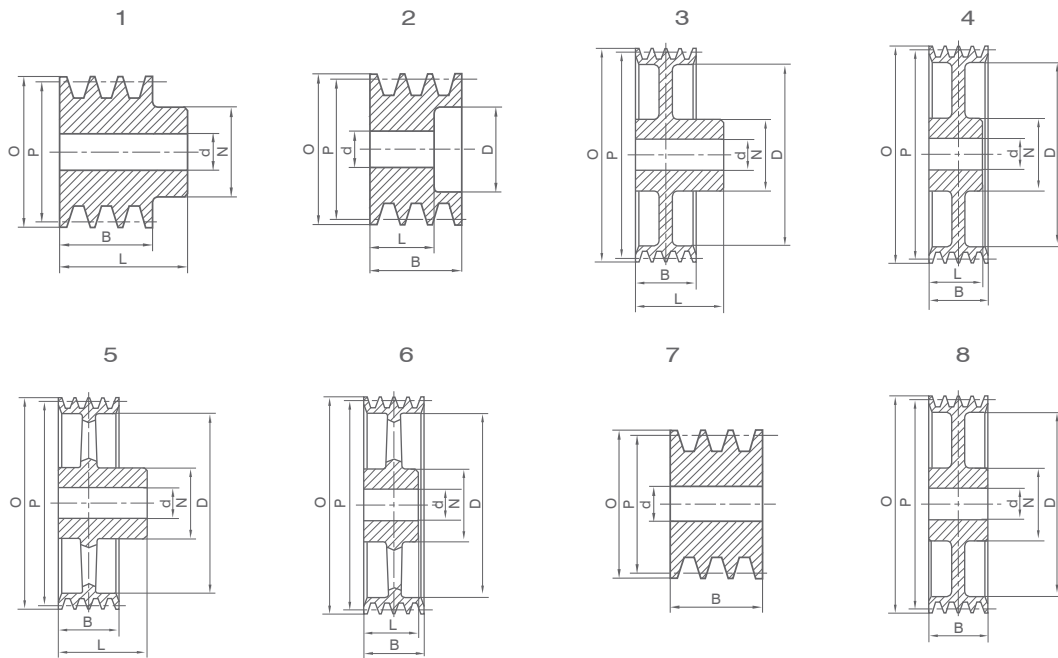
SPB-6



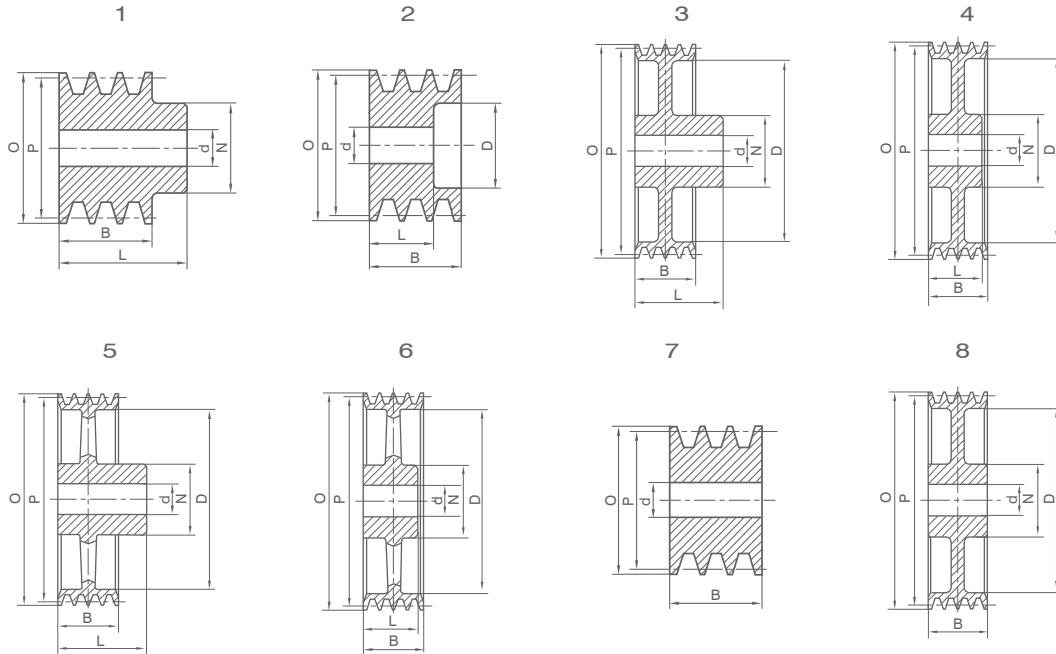
PART NO.	NO.OF GROOVES	O.D	P.D	TYPE	N	L	D	E	B	d
SPB120-6S	6	127	120	7	—	—	—	—	120	20
SPB125-6S	6	132	125	2	—	60	83	—	120	20
SPB132-6S	6	139	132	2	—	60	88	—	120	20
SPB140-6S	6	147	140	2	—	60	98	—	120	20
SPB150-6S	6	157	150	2	—	60	108	—	120	20
SPB160-6S	6	167	160	2	—	65	118	—	120	20
SPB170-6S	6	177	170	4	70	65	128	22	120	20
SPB180-6S	6	187	180	4	80	70	138	22	120	20
SPB200-6S	6	207	200	4	96	70	158	25	120	25
SPB212-6S	6	219	212	4	104	80	170	25	120	25
SPB225-6S	6	232	225	4	104	80	183	25	120	25
SPB250-6S	6	257	250	4	104	80	208	25	120	25
SPB280-6S	6	287	280	4	104	80	238	25	120	25
SPB300-6S	6	307	300	6	104	80	258	25	120	25
SPB315-6S	6	322	315	6	120	90	273	25	120	25
SPB355-6S	6	362	355	6	120	90	313	25	120	25
SPB400-6S	6	407	400	6	120	100	358	28	120	25
SPB450-6S	6	457	450	6	120	100	408	28	120	25
SPB500-6S	6	507	500	6	129	105	458	33	120	25
SPB560-6S	6	567	560	6	129	105	518	33	120	25
SPB600-6S	6	607	600	6	129	105	558	33	120	25
SPB630-6S	6	637	630	6	140	105	588	33	120	25



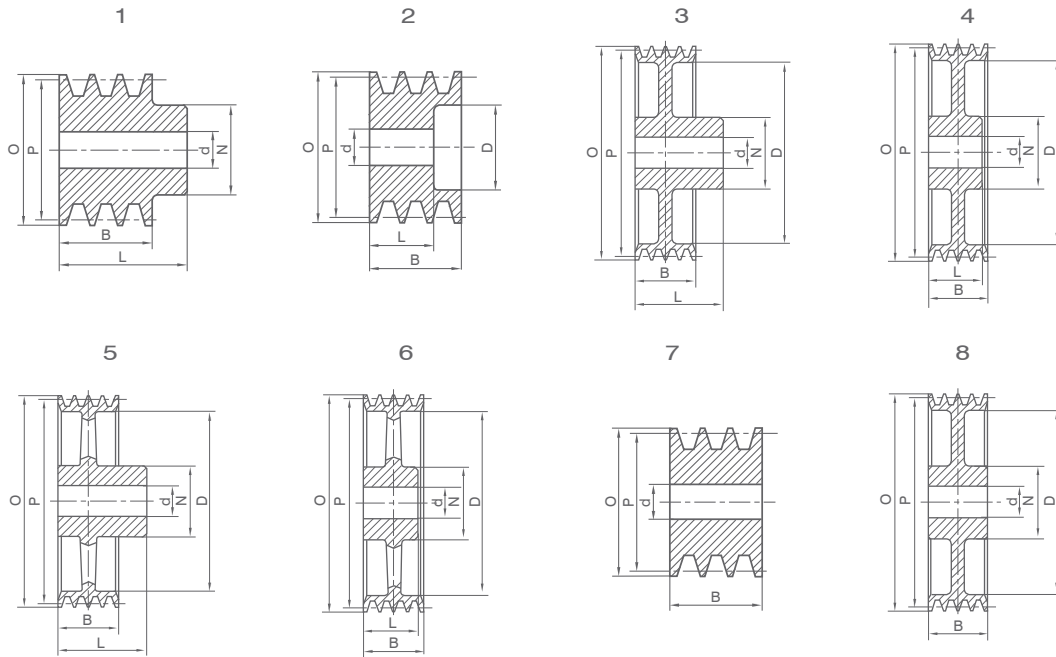
PART NO.	NO.OF GROOVES	O.D	P.D	TYPE	N	L	D	E	B	d
SPC100-1S	1	109.6	100	1	60	50	—	—	34	15
SPC120-1S	1	129.6	120	1	65	50	—	—	34	15
SPC140-1S	1	149.6	140	1	70	50	—	—	34	20
SPC150-1S	1	159.6	150	1	70	50	—	—	34	20
SPC160-1S	1	169.6	160	1	72	50	—	—	34	20
SPC180-1S	1	189.6	180	3	76	50	123	16	34	20
SPC200-1S	1	209.6	200	3	76	50	143	16	34	20
SPC225-1S	1	234.6	225	3	86	50	168	16	34	20
SPC250-1S	1	259.6	250	3	86	50	193	16	34	20
SPC280-1S	1	289.6	280	3	86	50	223	16	34	20
SPC300-1S	1	309.6	300	3	86	50	243	16	34	20
SPC315-1S	1	324.6	315	5	92	50	258	16	34	20
SPC340-1S	1	349.6	340	5	100	50	283	16	34	20
SPC355-1S	1	364.6	355	5	110	50	298	16	34	20
SPC400-1S	1	409.6	400	5	110	60	343	18	34	25
SPC450-1S	1	459.6	450	5	110	60	393	18	34	25
SPC500-1S	1	509.6	500	5	114	60	443	18	34	25
SPC560-1S	1	569.6	560	5	114	60	503	20	34	25
SPC600-1S	1	609.6	600	5	114	60	543	20	34	25
SPC630-1S	1	639.6	630	5	114	60	573	20	34	25



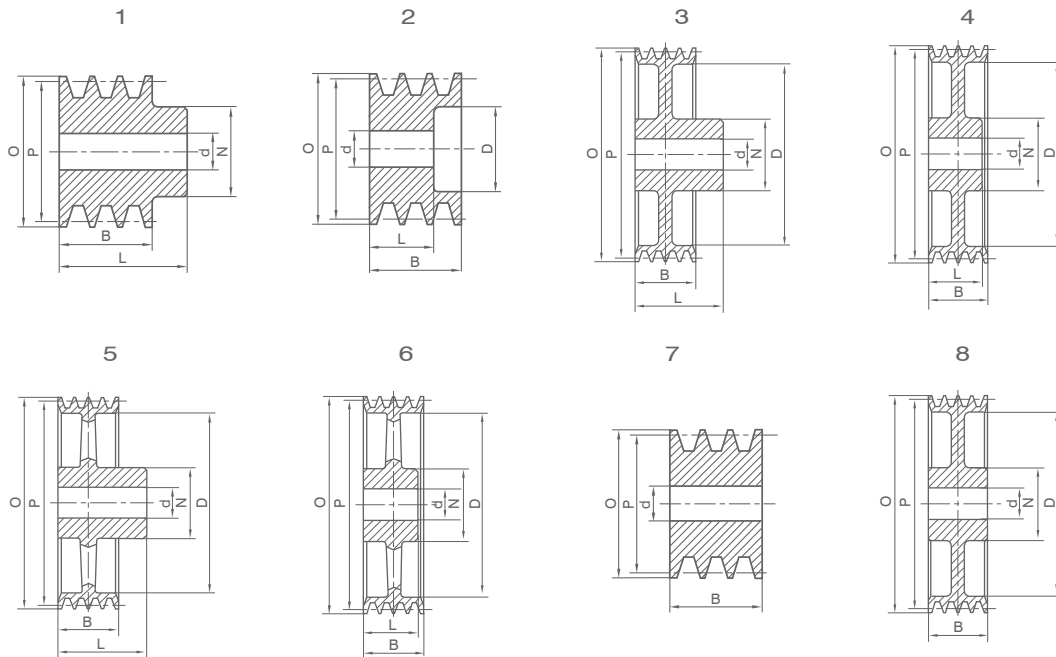
PART NO.	NO.OF GROOVES	O.D	P.D	TYPE	N	L	D	E	B	d
SPC120-2S	2	129.6	120	7	—	—	—	—	59.5	15
SPC140-2S	2	149.6	140	7	—	—	—	—	59.5	20
SPC150-2S	2	159.6	150	7	—	—	—	—	59.5	20
SPC160-2S	2	169.6	160	7	—	—	—	—	59.5	20
SPC180-2S	2	189.6	180	3	80	60	123	16	59.5	20
SPC200-2S	2	209.6	200	3	80	60	143	16	59.5	20
SPC225-2S	2	234.6	225	3	88	60	168	18	59.5	20
SPC250-2S	2	259.6	250	3	92	60	193	18	59.5	20
SPC280-2S	2	289.6	280	3	92	60	223	18	59.5	20
SPC300-2S	2	309.6	300	3	92	60	243	18	59.5	20
SPC315-2S	2	324.6	315	5	92	60	258	18	59.5	20
SPC340-2S	2	349.6	340	5	100	60	283	18	59.5	20
SPC355-2S	2	364.6	355	5	110	60	298	18	59.5	25
SPC400-2S	2	409.6	400	5	110	70	343	20	59.5	25
SPC450-2S	2	459.6	450	5	110	70	393	20	59.5	25
SPC500-2S	2	509.6	500	5	114	70	443	20	59.5	25
SPC560-2S	2	569.6	560	5	114	70	503	24	59.5	25
SPC600-2S	2	609.6	600	5	114	70	543	24	59.5	25
SPC630-2S	2	639.6	630	5	114	70	573	24	59.5	25



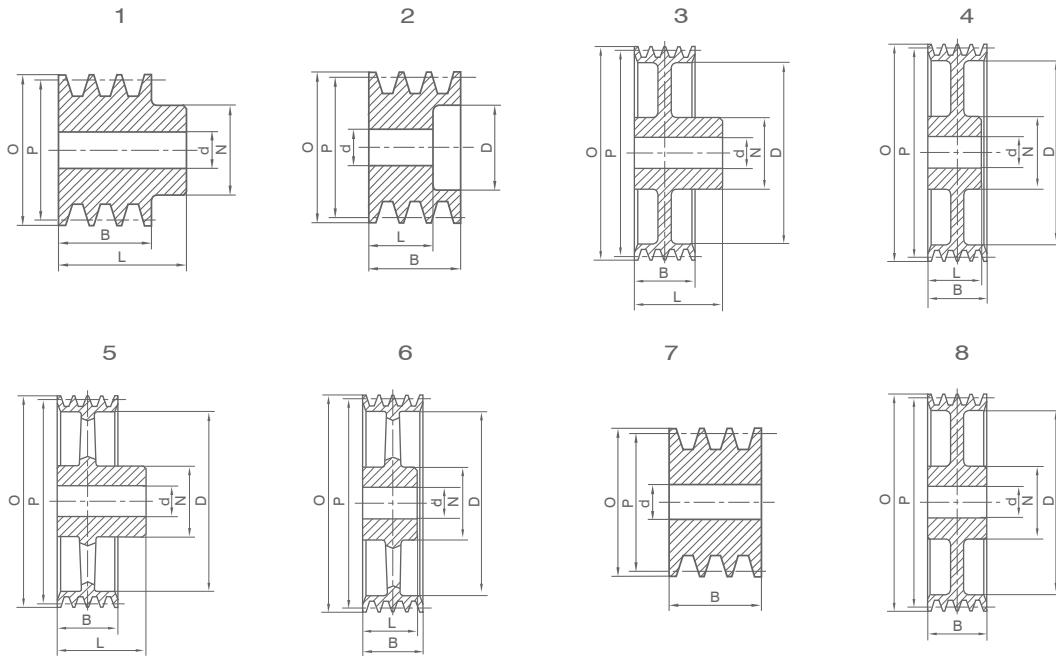
PART NO.	NO.OF GROOVES	O.D	P.D	TYPE	N	L	D	E	B	d
SPC140-3S	3	149.6	140	2	—	65	83	—	85	20
SPC150-3S	3	159.6	150	2	—	65	93	—	85	20
SPC160-3S	3	169.6	160	2	—	65	103	—	85	20
SPC180-3S	3	189.6	180	4	82	65	123	18	85	20
SPC200-3S	3	209.6	200	4	86	65	143	18	85	20
SPC225-3S	3	234.6	225	4	90	70	168	21	85	20
SPC250-3S	3	259.6	250	4	92	70	193	21	85	20
SPC280-3S	3	289.6	280	4	92	70	223	21	85	20
SPC300-3S	3	309.6	300	4	92	70	243	21	85	20
SPC315-3S	3	324.6	315	6	92	70	258	22	85	25
SPC340-3S	3	349.6	340	6	100	70	283	22	85	25
SPC355-3S	3	364.6	355	6	110	70	298	22	85	25
SPC400-3S	3	409.6	400	5	114	90	343	24	85	25
SPC450-3S	3	459.6	450	5	114	90	393	24	85	25
SPC500-3S	3	509.6	500	5	114	90	443	24	85	25
SPC560-3S	3	569.6	560	5	114	90	503	28	85	25
SPC600-3S	3	609.6	600	5	114	90	543	28	85	25
SPC630-3S	3	639.6	630	5	114	90	573	28	85	25



PART NO.	NO.OF GROOVES	O.D	P.D	TYPE	N	L	D	E	B	d
SPC140-4S	4	149.6	140	2	—	80	83	—	110.5	20
SPC150-4S	4	159.6	150	2	—	80	93	—	110.5	20
SPC160-4S	4	169.6	160	2	—	80	103	—	110.5	20
SPC180-4S	4	189.6	180	4	82	80	123	20	110.5	20
SPC200-4S	4	209.6	200	4	90	90	143	25	110.5	20
SPC225-4S	4	234.6	225	4	90	90	168	25	110.5	25
SPC250-4S	4	259.6	250	4	100	90	193	25	110.5	25
SPC280-4S	4	289.6	280	4	100	90	223	25	110.5	25
SPC300-4S	4	309.6	300	4	100	90	243	25	110.5	25
SPC315-4S	4	324.6	315	4	110	90	258	25	110.5	25
SPC340-4S	4	349.6	340	6	114	90	283	25	110.5	25
SPC355-4S	4	364.6	355	6	114	90	298	25	110.5	25
SPC400-4S	4	409.6	400	6	114	90	343	26	110.5	25
SPC450-4S	4	459.6	450	6	120	90	393	28	110.5	25
SPC500-4S	4	509.6	500	6	126	90	443	28	110.5	25
SPC560-4S	4	569.6	560	6	130	90	503	30	110.5	25
SPC600-4S	4	609.6	600	6	130	90	543	30	110.5	25
SPC630-4S	4	639.6	630	6	130	90	573	30	110.5	25



PART NO.	NO.OF GROOVES	O.D	P.D	TYPE	N	L	D	E	B	d
SPC150-5S	5	159.6	150	2	—	96	93	—	136	20
SPC160-5S	5	169.6	160	2	—	96	103	—	136	20
SPC180-5S	5	189.6	180	4	82	96	123	20	136	20
SPC200-5S	5	209.6	200	4	90	100	143	25	136	25
SPC225-5S	5	234.6	225	4	90	100	168	25	136	25
SPC250-5S	5	259.6	250	4	102	100	193	25	136	25
SPC280-5S	5	289.6	280	4	102	100	223	25	136	25
SPC300-5S	5	309.6	300	4	104	100	243	25	136	25
SPC315-5S	5	324.6	315	4	112	100	258	25	136	25
SPC340-5S	5	349.6	340	6	114	100	283	28	136	25
SPC355-5S	5	364.6	355	6	114	100	298	28	136	25
SPC400-5S	5	409.6	400	6	120	100	343	28	136	25
SPC450-5S	5	459.6	450	6	120	100	393	30	136	25
SPC500-5S	5	509.6	500	6	126	100	443	30	136	25
SPC560-5S	5	569.6	560	6	130	100	503	32	136	25
SPC600-5S	5	609.6	600	6	130	100	543	32	136	25
SPC630-5S	5	639.6	630	6	130	100	573	32	136	25



PART NO.	NO.OF GROOVES	O.D	P.D	TYPE	N	L	D	E	B	d
SPC160-6S	6	169.6	160	2	—	96	103	—	161.5	20
SPC180-6S	6	189.6	180	4	82	96	123	25	161.5	20
SPC200-6S	6	209.6	200	4	90	100	143	25	161.5	25
SPC225-6S	6	234.6	225	4	90	100	168	25	161.5	25
SPC250-6S	6	259.6	250	4	102	100	193	25	161.5	25
SPC280-6S	6	289.6	280	4	102	100	223	25	161.5	25
SPC300-6S	6	309.6	300	4	104	100	243	25	161.5	25
SPC315-6S	6	324.6	315	4	112	100	258	28	161.5	25
SPC340-6S	6	349.6	340	6	114	100	283	30	161.5	25
SPC355-6S	6	364.6	355	6	114	100	298	30	161.5	25
SPC400-6S	6	409.6	400	6	120	100	343	30	161.5	25
SPC450-6S	6	459.6	450	6	120	100	393	32	161.5	25
SPC500-6S	6	509.6	500	6	126	100	443	32	161.5	25
SPC560-6S	6	569.6	560	6	130	100	503	35	161.5	25
SPC600-6S	6	609.6	600	6	130	100	543	35	161.5	25
SPC630-6S		639.6	630	6	130	100	573	35	161.5	25