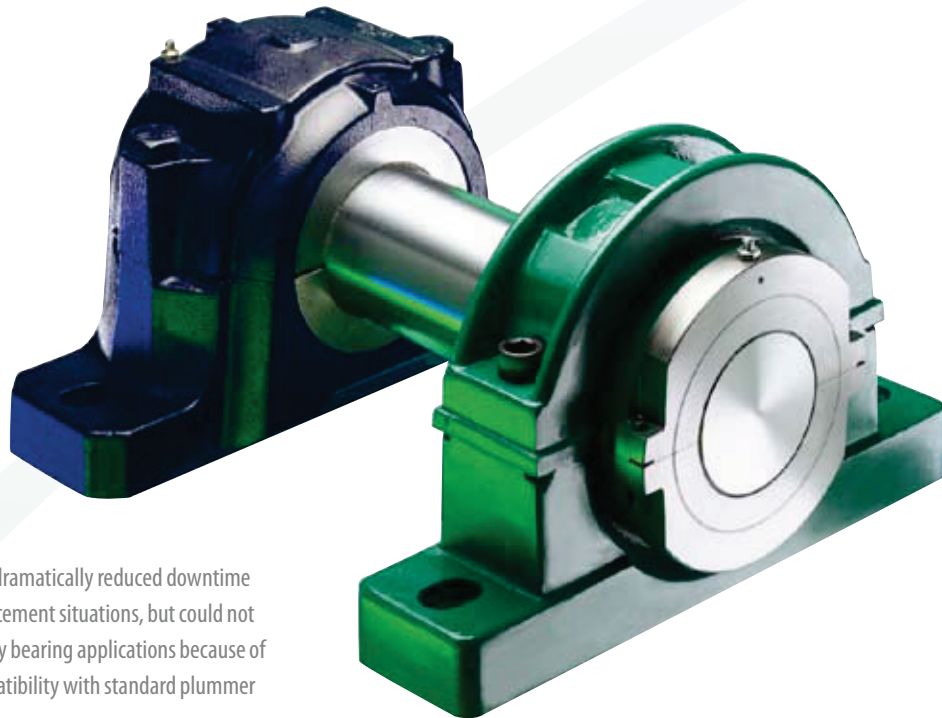


## SN/SD Bearings

The New compact Split Plummer Block Bearing from SRB is the first split cylindrical roller bearing assembly to be interchangeable with standard SN and SD series plummer blocks, bringing the benefits of a split design to a much wider audience.



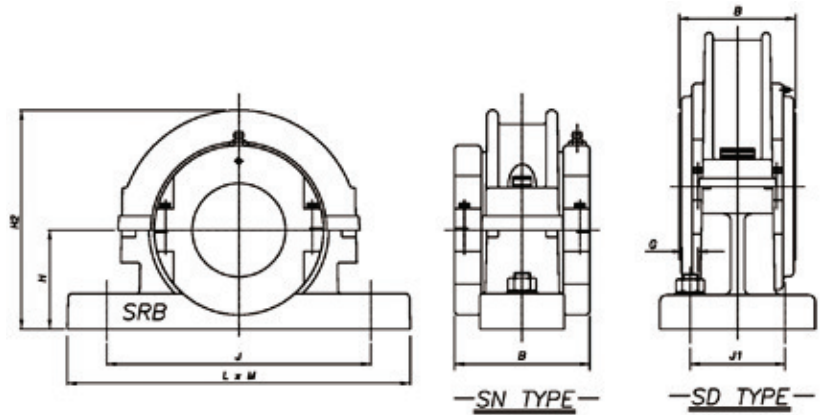
Split roller bearings offer dramatically reduced downtime in maintenance and replacement situations, but could not previously be used in many bearing applications because of their dimensional incompatibility with standard plummer block sizes.

Cast iron plummer blocks accommodating adaptor sleeve mounted spherical roller bearings are amongst the most common types in use, supporting rotating shafts in everything from conveyors and fans to line shafts. Yet their replacement is often time consuming and difficult due to the removal of adjacent equipment. Replacing a typical bearing mounted in a cast iron plummer block can take anything from 6 hours to several days, in contrast, it can take as little as 1–2 hours to replace an SRB bearing unit.

### Key benefits of the Split Plummer Block are:

- SRB SN & SD Series supports dimensionally interchangeable with the SN5.. and SD31.. range of plummer blocks.
- Significant reductions in the time required to change trapped bearings.
- Savings in downtime, improved machine availability.
- Simplified mounting procedures, no feeler gauges.
- Improved sealing efficiency, seals remain concentric to the shaft, unlike spherical roller bearings.
- Efficient use of Maintenance Engineering resources.
- Improved reliability, able to accommodate thermal expansion of the shaft within the bearing envelope.

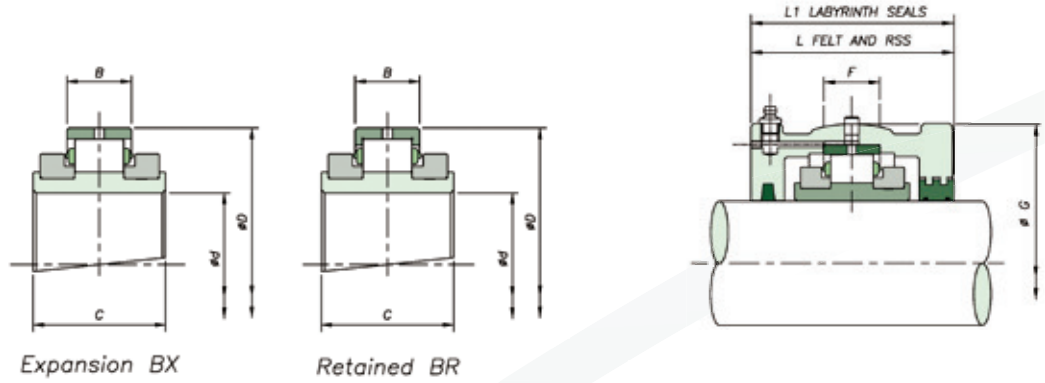
## Light SN/SD Range



### SN SD

Shaft (d) mm	SRB Reference	SN/SD Reference	H	H <sub>1</sub>	H <sub>2</sub>	J x K	L x M	G
35	SN01	SN 508	60	135	84	170	205 x 60	12
40		SN 509						
50	SN02	SN 511	70	155	96	210	255 x 70	16
60	SN03	SN 513	80	180	102	234	275 x 70	16
65	SN03A	SN 515	80	180	102	234	280 x 70	16
70	SN04	SN 516	95	208	112	260	315 x 90	20
75		SN 517						
80	SN05	SN 518	100	230	134	290	345 x 100	20
85	SN05A	SN 519	112	242	134	290	345 x 100	20
90	SN05B	SN 520	112	242	134	320	380 x 110	24
100	SN06	SN 522	125	265	132	350	410 x 120	24
110	SN07	SN 524	140	300	140	350	410 x 120	24
115	SN07A	SN 526	150	310	140	380	445 x 130	24
125	SN08	SN 528	150	354	154	420	500 x 150	30
135	SN09	SN 530	160	369	166	450	530 x 160	30
140	SN09A	SN 532	170	379	166	470	550 x 160	30
150	SD10	SD 3134	170	379	172	430 x 100	510 x 180	24
160	SD11	SD 3136	180	396	172	450 x 110	530 x 190	24
170	SD12	SD 3138	190	417	172	480 x 120	560 x 210	24
180	SD12A	SD 3140	210	437	172	510 x 130	610 x 230	30
200	SD13	SD 3144	220	457	172	540 x 140	640 x 240	30
220	SD14	SD 3148	240	510	176	600 x 150	700 x 260	30
240	SD15	SD 3152	260	545	188	650 x 160	770 x 280	36
260	SD16	SD 3156	280	589	204	670 x 160	790 x 280	36
280	SD16A	SD 3160	300	609	204	710 x 190	830 x 310	36
300	SD17	SD3164	320	662	216	750 x 200	880 x 330	36

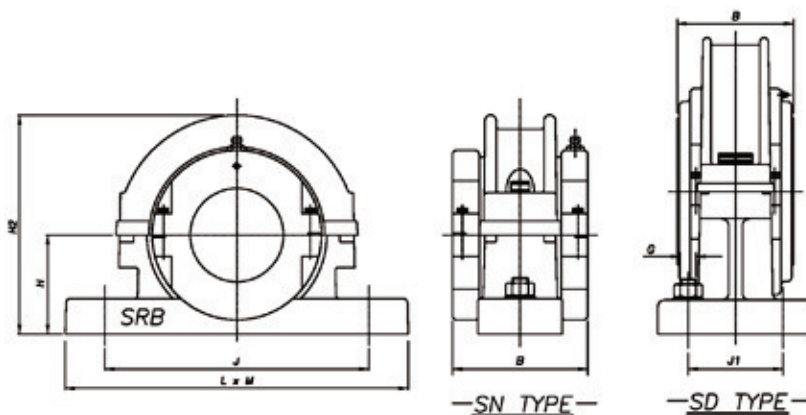
# Bearing & Housings



Shaft (d)		Reference	Bearings Ratings				Housing Reference						
mm	Add BR for retained Add BX for expansion e.g. LSM35BR	Dynamic C <sub>r</sub> (kN/lb)	Static C <sub>r</sub> (kN/lb)	Axial C <sub>r</sub> (kN/lb)	Max RPM	D	B	C	Add HR for retained Add HX for expansion e.g. LSM35HR	G	F	L	L <sub>1</sub>
35	LSM35	65	68	3.20	5400	84.14	23.80	55.00	LSM35	100.00	25	84	86
40	LSM40	14613	15287	719.38		3.313	0.937	2.165	LSM40	3.937	1.0	3.3	3.4
50	LSM50	83	87	3.60	4630	98.42	25.40	60.00	LSM50	117.48	25	96	98
		18659	19558	809.30		3.875	1.000	2.362		4.625	1.0	3.8	3.9
60	LSM60	103	115	5.40	3940	114.30	27.00	60.00	LSM60	134.94	32	102	104
65	LSM65	23155	25853	1213.95		4.500	1.063	2.362	LSM65	5.313	1.3	4.0	4.1
70	LSM70	138	161	7.60	3310	133.35	31.80	65.00	LSM70	157.16	38	112	114
75	LSM75	31024	36194	1708.53		5.250	1.252	2.559	LSM75	6.187	1.5	4.4	4.5
80	LSM80	187	231	12.40	2790	152.40	38.90	75.00	LSM80	177.80	50	134	136
85	LSM85	42039	51931	2787.59		6.000	1.531	2.953	LSM85	7.000	2.0	5.3	5.4
90	LSM90								LSM90				
100	LSM100	288	366	16.00	2340	174.62	45.30	85.00	LSM100	203.20	50	132	134
		64745	82280	3596.90		6.875	1.783	3.346		8.000	2.0	5.2	5.3
110	LSM110	316	427	18.60	1970	203.20	46.90	90.00	LSM110	231.78	64	140	142
115	LSM115	71040	95993	4181.39		8.000	1.846	3.543	LSM115	9.125	2.5	5.5	5.6
125	LSM125	363	496	22.20	1740	222.25	54.00	95.00	LSM125	266.70	76	154	156
		81606	111505	4990.69		8.750	2.126	3.740		10.500	3.0	6.1	6.1
135	LSM135	422	585	25.80	1570	241.30	55.60	98.40	LSM135	279.40	76	166	168
140	LSM140	94869	131513	5799.99		9.500	2.189	3.874	LSM140	11.000	3.0	6.5	6.6
150	LSM150	459	664	29.40	1450	254.00	55.60	98.40	LSM150	295.28	82	172	174
		103187	149273	6609.30		10.000	2.189	3.874		11.625	3.2	6.8	6.9
160	LSM160	583	792	33.00	1320	273.05	60.30	109.00	LSM160	311.15	76	172	192
		131064	178049	7419		10.750	2.374	4.291		12.250	3.0	6.8	7.6
170	LSM170	524	828	36.40	1220	285.75	55.50	109.00	LSM170	323.85	70	172	200
180	LSM180	117800	186142	8183		11.250	2.185	4.291	LSM180	12.750	2.8	6.8	7.9
200	LSM200	614	990	41.00	1070	311.15	60.30	106.00	LSM200	358.78	86	172	200
		138033	222561	9217		12.250	2.374	4.173		14.125	3.4	6.8	7.9
220	LSM220	708	1168	49.00	930	342.90	63.50	115.00	LSM220	387.35	82	178	216
		159165	262577	11016		13.500	2.500	4.528		15.250	3.2	7.0	8.5
240	LSM240	744	1289	57.80	820	374.65	66.70	122.00	LSM240	419.10	90	188	222
		167258	289779	12994		14.750	2.626	4.803		16.500	3.5	7.4	8.7
260	LSM260	848	1502	66.80	730	406.40	69.00	128.00	LSM260	454.00	95	204	232
280	LSM280	190638	337663	15017		16.000	2.717	5.039	LSM280	17.874	3.7	8.0	9.1
300	LSM300	929	1665	78.20	650	438.15	74.60	143.00	LSM300	489.00	98	216	248
		208848	374307	17580		17.250	2.937	5.630		19.252	3.9	8.5	9.8

Product Range - Light SN/SD Range / Bearing & Housings

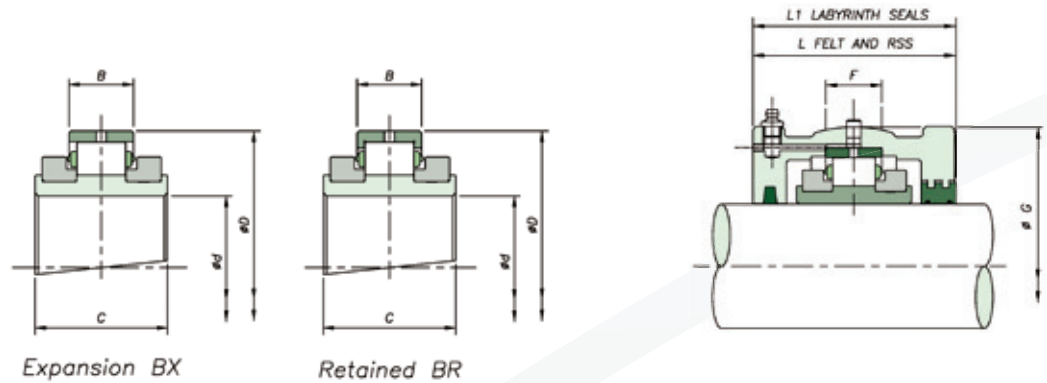
## Medium SN/SD Range



### SN SD

Shaft (d) mm	Description	Support Reference	SD Reference	H	J x K	L x M
140	MSM140B	SN09B	SNL532	170	470	550 x 160
150	MSM150B	SD30	SD3134 SNL3134	170	430 x 100	510 x 180
160	MSM160B	SD31	SD3136 SNL3136	180	450 x 110	530 x 190
170	MSM170B	SD32	SD3138 SNL3138	190	480 x 120	560 x 210
180	MSM180B	SD33	SD3140 SNL3140	210	510 x 130	610 x 230
200	MSM200B	SD34	SD3144 SNL3144	220	540 x 140	640 x 240
220	MSM220B	SD35	SD3148 SNL3148	250	600 x 150	700 x 260
240	MSM240B	SD36	SD3152 SNL3152	270	650 x 160	770 x 280
260	MSM260B	SD36A	SD3156 SNL3156	280	670 x 160	790 x 280
280	MSM280B	SD37	SD3160 SNL3160	300	710 x 190	830 x 310
300	MSM300B	SD38	SD3164 SNL3164	320	750 x 200	880 x 330
320	MSM320B	SD39	SNL3168L	340	810 x 220	950 x 360
340	MSM340B	SD40	SNL3172L	350	840 x 220	1000 x 360
360	MSM360B	SD40A	SNL3176L	360	870 x 220	1040 x 360
380	MSM380B	SD41	SNL3180L	380	950 x 240	1120 x 390
400	MSM400B	SD42	SNL3184L	410	1000 x 260	1170 x 420

## Bearing & Housings



Shaft (d)		Reference		Bearings Ratings				Housing Reference					
mm	Description	Dynamic $C_r$ (kN/lb)	Static $C_{or}$ (kN/lb)	Axial $C_a$ (kN/lb)	Max RPM	D	B	C	Housing	G	F	L	L <sub>1</sub>
140	MSM140	600	817	45.50	1450	273.05	66.70	117.50	MSM140	323.95	90	186	188
		134885	183669	10229		10.750	2.626	4.626		12.754	3.5	7.3	7.4
150	MSM150A	600	817	45.40	1450	273.05	66.70	117.50	MSM150A	336.55	95	202	204
		134885	183669	10206		10.750	2.626	4.626		13.250	3.7	8.0	8.0
160	MSM160A	730	1034	52.40	1320	292.10	68.30	123.80	MSM160A	336.55	95	202	204
		164111	232452	11780		11.500	2.689	4.874		13.250	3.7	8.0	8.0
170	MSM170	842	1175	61.40	1200	317.50	83.30	140.00	MSM170	368.30	95	206	232
		189289	264151	13803		12.500	3.280	5.512		14.500	3.7	8.1	9.1
180	MSM180	927	1357	71.20	1120	330.20	83.30	140.00	MSM180	381.00	95	222	242
		208398	305066	16006		13.000	3.280	5.512		15.000	3.7	8.7	9.5
200	MSM200	1013	1516	80.00	960	368.30	90.50	156.00	MSM200	425.00	105	235	253
		227731	340810	17985		14.500	3.563	6.142		16.732	4.1	9.3	10.0
220	MSM220	1138	1668	89.80	850	393.70	90.50	163.00	MSM220	457.20	110	242	274
		255833	374981	20188		15.500	3.563	6.147		18.000	4.3	9.5	10.8
240	MSM240	1354	2117	98.80	750	431.80	96.80	170.00	MSM240	495.30	118	248	280
		304391	475921	22211		17.000	3.811	6.693		19.500	4.6	9.8	11.0
260	MSM260	1354	2117	98.80	750	431.80	96.80	170.00	MSM260	495.30	118	248	280
		304391	475921	22211		17.000	3.811	6.693		19.500	4.6	9.8	11.0
280	MSM280	1476	2357	113.80	670	463.55	101.60	186.00	MSM280	527.10	130	264	300
		331818	529875	25583		18.250	4.000	7.323		20.752	5.1	10.4	11.8
300	MSM300	1587	2644	129.00	610	495.30	103.20	193.00	MSM300	552.50	128	268	306
		356771	594395	29000		19.500	4.063	7.598		21.752	5.0	10.6	12.0
320	MSM320	1723	2922	144.20	550	527.05	106.40	192.00	MSM320	587.40	128	298	
		387346	656892	32417		20.750	4.189	7.559		23.126	5.0	11.7	
340	MSM340	1989	3403	159.20	500	565.15	115.90	200.00	MSM340	628.70	146	305	
		447145	765025	35790		22.250	4.563	7.874		24.752	5.7	12.0	
360	MSM360	1989	3403	159.20	500	565.15	115.90	200.00	MSM360	628.70	146	305	
		447145	765025	35790		22.250	4.563	7.874		24.752	5.7	12.0	
380	MSM380	1931	3522	174.40	460	584.20	111.10	200.00	MSM380	628.70	146	305	
		434106	791777	39207		23.000	4.374	7.874		24.752	5.7	12.0	
400	MSM400	2105	3793	188.40	430	615.95	115.90	200.00	MSM400	685.80	146	324	
		473223	852700	42354		24.250	4.563	7.874		27.000	5.7	12.8	