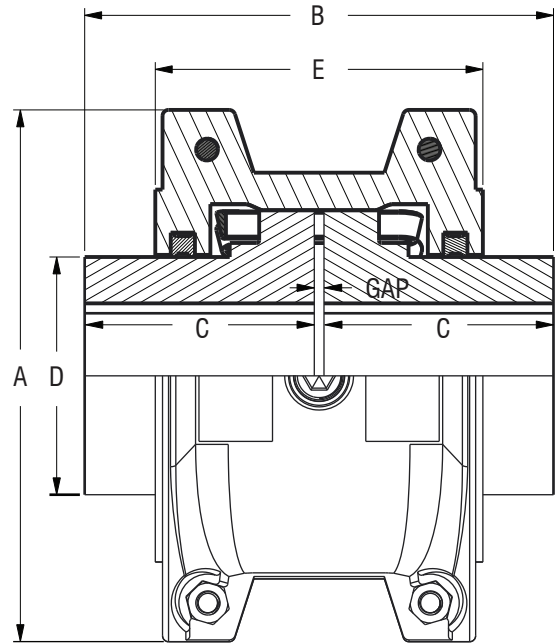
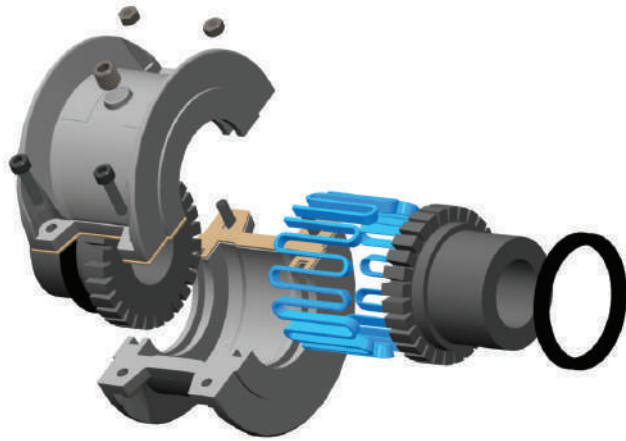


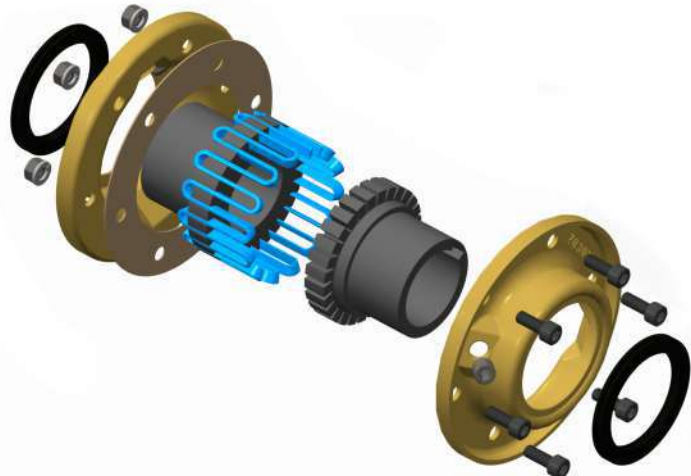
Grid Coupling



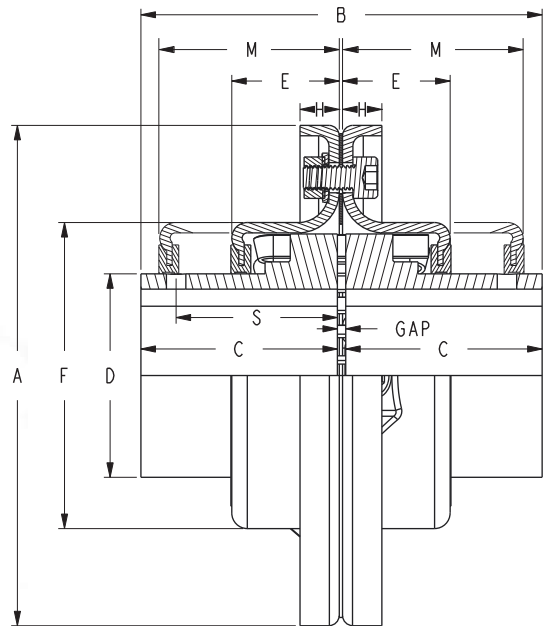
H GRID COUPLING

Size	Max RPM	Torque Nm	Bore		A (mm)	B (mm)	C (mm)	D (mm)	E (mm)	Gap			Unit Kg	Grease Kg
			Max	Min						Min	Nor.	Max		
2020H	4500	486	30	12	101.6	98.0	47.5	39.7	66.5	1.5	3	4.5	1.9	0.03
2030H	4500	1383	35	12	110.0	98.0	47.5	49.2	68.3	1.5	3	4.5	2.6	0.03
2040H	4500	2304	43	12	117.5	104.6	50.8	57.1	70.0	1.5	3	4.5	3.4	0.05
2050H	4500	4033	50	12	138.0	123.6	60.3	66.7	79.5	1.5	3	4.5	5.4	0.05
2060H	4350	6337	55	19	150.5	130.0	63.5	76.2	92.0	1.5	3	4.5	7.3	0.09
2070H	4125	9217	65	19	161.9	155.4	76.2	87.3	95.0	1.5	3	4.5	10	0.11
2080H	3600	19010	78	27.0	194.0	180.8	88.9	104.8	116.0	1.5	3	4.5	18	0.17
2090H	3600	34564	95	27.0	213.0	199.8	98.4	123.8	122.0	1.5	3	6	25	0.25
2100H	2400	58183	107	41	250.0	245.7	120.6	142.0	155.5	1.5	3	6	42	0.43
2110H	2250	86411	117	41	270.0	258.5	127.0	160.3	161.5	1.5	4.5	9.5	54	0.51
2120H	2025	126736	136	60	308.0	304.4	149.2	179.4	191.5	1.5	4.5	9.5	81	0.73
2130H	1800	184343	165	67	346.0	329.8	161.9	217.5	195.0	1.5	6	12.5	121	0.91
2140H	1650	264993	184	67	384.0	371.6	182.8	254.0	201.0	1.5	6	12.5	178	1.13
2150H	1500	368686	203	108	453.1	371.8	182.9	269.2	271.3	1.5	6	12.5	234	1.95
2160H	1350	518465	228	120.7	501.4	402.2	198.1	304.8	278.9	1.5	6	12.5	317	2.81
2170H	1225	691286	279	133.4	566.4	437.8	215.9	355.6	304.3	1.5	6	12.5	448	3.49
2180H	1100	958584	311	152.4	629.9	483.6	238.8	393.7	321.1	1.5	6	12.5	619	3.76
2190H	1050	1267358	339	152.4	675.6	524.2	259.1	436.9	325.1	1.5	6	12.5	776	4.40
2200H	900	1728216	361	177.8	756.9	564.8	279.4	497.8	355.6	1.5	6	12.5	1057	5.62

Grid Coupling



V GRID COUPLING



Size	Max RPM	Torque Nm	Bore		A (mm)	B (mm)	C (mm)	D (mm)	E (mm)	Gap			Unit Kg	Grease Kg
			Max	Min						Min	Nor.	Max		
2020V	6000	486	30	12.7	111.1	98.0	47.5	39.7	24.2	1.5	3	4.5	2.0	0.03
2030V	6000	1383	36	12.7	120.0	98.0	47.5	49.2	25.0	1.5	3	4.5	2.6	0.03
2040V	6000	2304	44	12.7	128.5	104.6	50.8	57.1	25.7	1.5	3	4.5	3.4	0.05
2050V	6000	4033	50	12.7	147.6	123.6	60.3	66.7	31.2	1.5	3	4.5	5.4	0.05
2060V	6000	6337	57	19.1	162.0	130.0	63.5	76.2	32.2	1.5	3	4.5	7.3	0.09
2070V	5500	9217	65	19.1	173.0	155.4	76.2	87.3	33.7	1.5	3	4.5	10.4	0.11
2080V	4750	19010	79	27.0	200.0	180.8	88.9	104.8	44.2	1.5	3	4.5	17.7	0.17
2090V	4000	34564	95	27.0	231.8	199.8	98.4	123.8	47.7	1.5	3	6	25.4	0.25
2100V	3250	58183	107	41.3	266.7	245.7	120.6	142.0	60.0	1.5	3	6	42.2	0.43
2110V	3000	86411	117	41.3	285.8	258.5	127.0	160.3	64.2	1.5	4.5	12.5	54.4	0.51
2120V	2700	126736	136	60.3	319.0	304.4	149.2	179.4	73.4	1.5	4.5	12.5	81.6	0.73
2130V	2400	184343	165	66.7	377.8	329.8	161.9	217.5	75.1	1.5	6	12.5	122.5	0.91
2140V	2200	264993	184	66.7	416.0	371.6	182.8	254.0	78.2	1.5	6	12.5	180.1	1.13
2150V	2000	368686	203	108.0	476.3	371.8	182.9	269.2	106.9	1.5	6	12.5	230.0	1.95
2160V	1750	518465	228	120.7	533.4	402.2	198.1	304.8	114.3	1.5	6	12.5	321.1	2.81
2170V	1600	691286	279	133.4	584.2	437.8	215.9	355.6	119.4	1.5	6	12.5	448.2	3.49
2180V	1400	958584	311	152.4	630.0	483.6	238.8	393.7	130.0	1.5	6	12.5	591.0	3.76
2190V	1300	1267358	339	152.4	685.0	524.2	259.1	436.9	135.0	1.5	6	12.5	761.0	4.40
2200V	1100	1728216	361	177.8	737.0	564.8	279.4	497.8	145.0	1.5	6	12.5	1021	5.62