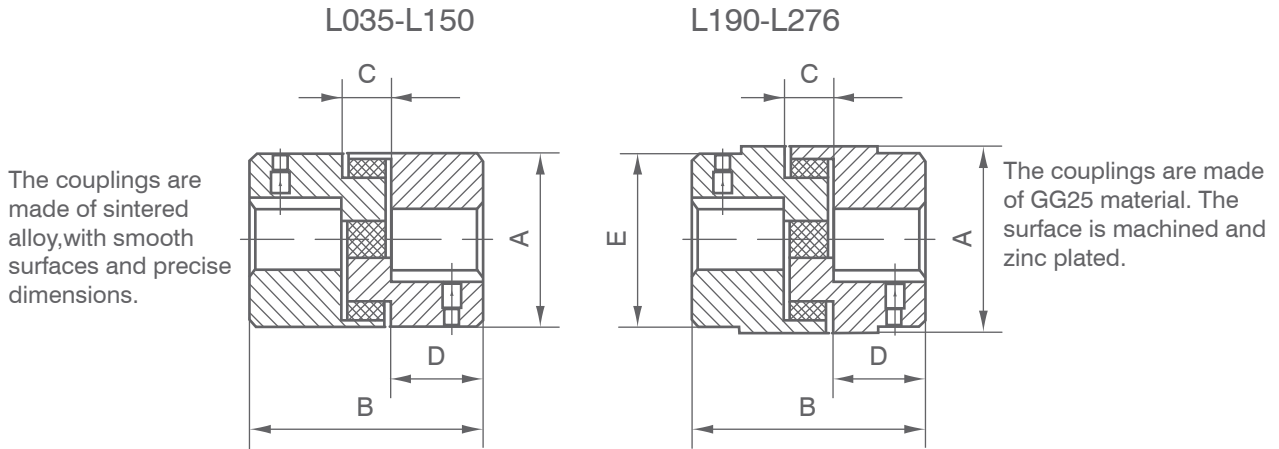


# L Coupling



Catalog	fundamental dimensions					torgue needed Nm	rotational speed rpm	Bore max mm	stock bore sizes of the couplings	Mass kg
	A	B	C	D	E					
L035	16	20.2	7.8	6.5	-	0.5	30.000	9	8.9	0.03
L050	28	43	12	15.5	-	3	17.000	16	10.12.14.16	0.13
L070	35	50.7	12.7	19	-	5	13.000	19	10.12.14.16.18.19	0.24
L075	45	55	12.7	20.5	-	10	10.000	24	12.14.16.18.19.20.22.24	0.40
L090	54	55	12.7	21	-	16	9.000	25	14.16.18.19.20.22.24.25	0.68
L095	54	64	12.7	25.5	-	22	9.000	29	14.16.18.19.20.22.24.25.28	0.71
L099	65	73	19	27	-	45	7.000	35	20.22.24.25.28.30.32.35	1.22
L100	65	89	19	35	-	50	7.000	35	20.22.24.25.28.30.32.35	1.40
L110	84	108	22	43	-	90	5.000	42	25.28.30.32.35.38.40.42	3.0
L150	96	115.4	25.4	45	80	150	5.000	48	30.32.35.38.40.42.45.48	5.0
L190	115	133.4	25.4	54	102	200	5.000	54	35.38.40.42.45.48.50	7.6
L225	127	153.4	26.4	64	108	300	4.200	67	38.40.42.45.48.50.55.60.65	9.0
L276	157	200	41	79	127	542	4.200	73	45.48.50.55.60.65.70	21.0

Keyway dimensions conform to DIN 6885, JIS B 1310-1976, UNI 6604-1969, GB 1095-1979 standards.



Material: NBR  
Temp °C: 40 ~ 100°C



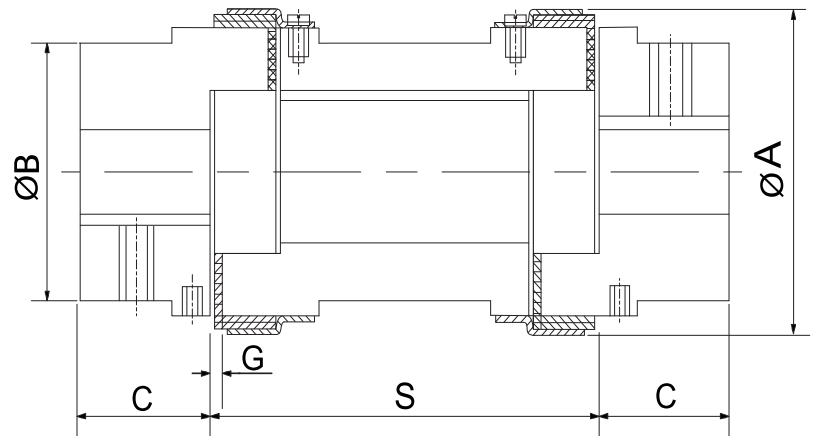
Material: Urethane  
Temp °C: -35 ~ 70°C



Material: Hytrel  
Temp °C: -50 ~ 120°C

# Jaw Coupling Spacer

# RRS



## Jaw COUPLING

Size	Power Rating						Max Bore	ØA	Length thru Bore C	ØB	Gap G	S
	Rubber		Polyurethane		Hytrel							
	Rated Torque (Nm)	KW 100rpm	Rated Torque (Nm)	KW 100rpm	Rated Torque (Nm)	KW 100rpm						
RRS095	21.10	0.22	31.7	0.33	52.8	0.55	28	65	25	49	2	100/140
RRS100	46.40	0.49	69.6	0.73	116	1.2	35	78	35	57	2	
RRS110	89	0.93	133.5	1.4	222.5	2.3	42	96	43	76	3	100
RRS150	141	1.5	211.5	2.2	352.5	3.7	48	111	45	80	3	140
RRS190	190	2.0	285	3.0	475	5.0	60	129	54	102	3	180
RRS225	265	2.8	397.5	4.2	662.5	6.9	65	142	64	111	3	
RRS226	327	3.4	490.5	5.1	817.5	8.6	70	153	70	119	3	

### ORDERING NOMENCLATURE FOR Jaw Coupling Spacers

**RRS150/100**

