

**Technical data / UNOMAT**

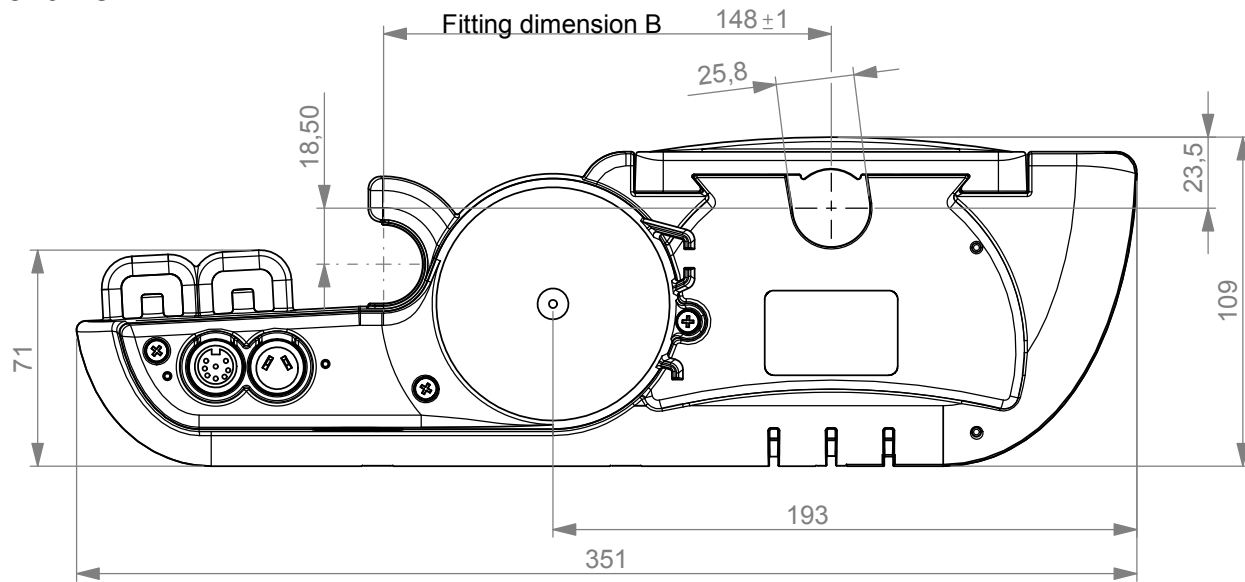
<b>Drive type</b>	single drive
<b>Protection classification</b>	protection classification III
<b>Protection category</b>	IP 20
<b>Motor voltage</b>	24 V DC
<b>Operating mode</b>	intermittent duty 2/18 min.
<b>Type of load</b>	push
<b>Stroke</b>	81 mm (66 mm optional)
<b>Adjustment load</b>	max. 3800 N (equivalent to max. torque 235 Nm)
<b>Fitting dimension (B)</b>	148 mm
<b>Colours</b>	black
<b>Equipment options</b>	connection possibility for one further UNOMAT
<b>Adjustment speed **</b>	up to 5,0 mm/s

\*\* depending on drive configuration at constant 24V without load

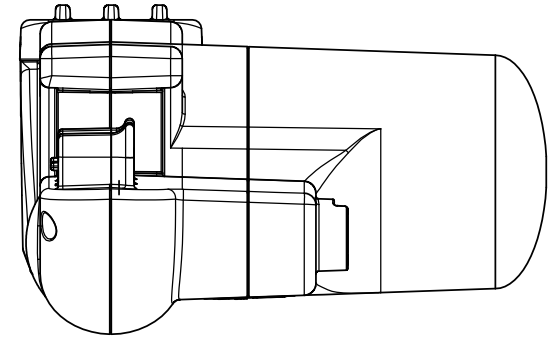
We reserve the right to make technical alternations

# UNOMAT

Front view



Side view



Top view

