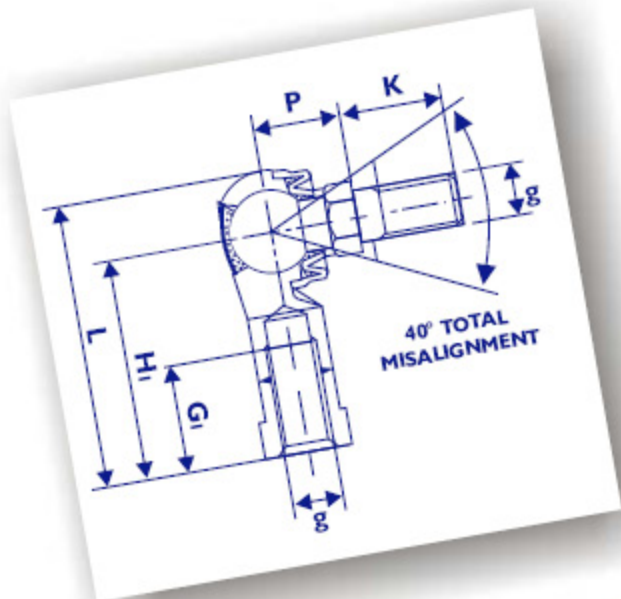


FEMALE METRIC STUDDED ROD ENDS



Basic Part Number	Thread Diameter x pitch g x pitch	Thread Length G1	Centre of Eye to Thread End H1	Body Length L	Refer Page 2		Max Stud Misalign. °
					P	K	
BL6D	M6X1	16	30	38.0	11.0	15.0	40°
BL8D	M8X1.25	19	36	45.5	14.0	17.0	40°
BL10BD	M10X1.5	23	43	55.5	17.0	26.0	40°
BL12D	M12X1.25	26	50	64.5	19.0	23.0	40°
BL12BD	M12X1.75	26	50	64.5	19.0	30.0	40°
BL14D	M14X1.5	26	57	75.0	21.5	35.0	40°
BL14BD	M14X2	26	57	75.0	21.5	40.5	40°
BL16D	M16X1.5	32	64	84.0	23.5	36.5	30°
BL16BD	M16X2	32	64	84.0	23.5	42.5	30°
BL20D	M20X1.5	35	77	99.0	27.0	41.0	35°

For left hand thread add suffix L eg, BL12BDL

Note: Body only available with left hand thread - stud always has right hand thread