

Rexroth Ball Rail Systems Standard Guide Rails

Guide rail 1607-

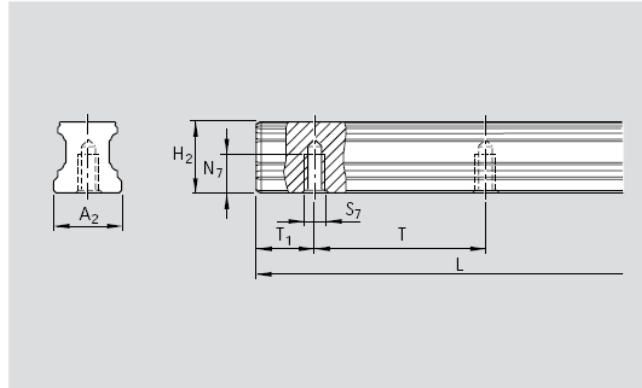
For mounting from below



Part numbers and rail lengths

| Size | Accuracy class | Guide rail | | Spacing T (mm) | Recommended rail length | | | | | | | | | | | | | | | | |
|------|----------------|--|---|----------------|--|---------------|---------------|-----------------|-----------|-------|---------------|---------------|-----------------|-----------------|---------------------------|-------|-------------|---------------|---------------|---------------|-----------|
| | | one-part Part number, Rail length L (mm) | composite Part number, Number of sections Rail length L (mm) | | Number of holes n_B / Rail length L (mm) | | | | | | | | | | | | | | | | |
| 15 | UP | 1607-109-31,..... | 1607-109-3,..... | 60 | 2 / 116 | 7 / 416 | 12 / 716 | 20 / 1196 | 40 / 2396 | | | | | | | | | | | | |
| | SP | 1607-101-31,..... | 1607-101-3,..... | | | | | | | | | | | | | | | | | | |
| | P | 1607-102-31,..... | 1607-102-3,..... | | | | | | | | | | | | | | | | | | |
| | H | 1607-103-31,..... | 1607-103-3,..... | | | | | | | | | | | | | | | | | | |
| | N | 1607-104-31,..... | 1607-104-3,..... | | | | | | | | | | | | | | | | | | |
| 20 | UP | 1607-809-31,..... | 1607-809-3,..... | | | | | | | 80 | 3 / 176 | 8 / 476 | 13 / 776 | 22 / 1316 | 50 / 2996 | | | | | | |
| | SP | 1607-801-31,..... | 1607-801-3,..... | | | | | | | | | | | | | | | | | | |
| | P | 1607-802-31,..... | 1607-802-3,..... | | | | | | | | | | | | | | | | | | |
| | H | 1607-803-31,..... | 1607-803-3,..... | | | | | | | | | | | | | | | | | | |
| | N | 1607-804-31,..... | 1607-804-3,..... | | | | | | | | | | | | | | | | | | |
| 25 | UP | 1607-209-31,..... | 1607-209-3,..... | | | | | | | | | | | | | 105 | 4 / 236 | 9 / 536 | 14 / 836 | 25 / 1496 | 60 / 3596 |
| | SP | 1607-201-31,..... | 1607-201-3,..... | | | | | | | | | | | | | | | | | | |
| | P | 1607-202-31,..... | 1607-202-3,..... | | | | | | | | | | | | | | | | | | |
| | H | 1607-203-31,..... | 1607-203-3,..... | | | | | | | | | | | | | | | | | | |
| | N | 1607-204-31,..... | 1607-204-3,..... | | | | | | | | | | | | | | | | | | |
| 30 | UP | 1607-709-31,..... | 1607-709-3,..... | 120 | 5 / 296 | 10 / 596 | 16 / 956 | 30 / 1796 | 66 / 3956 | | | | | | | | | | | | |
| | SP | 1607-701-31,..... | 1607-701-3,..... | | | | | | | | | | | | | | | | | | |
| | P | 1607-702-31,..... | 1607-702-3,..... | | | | | | | | | | | | | | | | | | |
| | H | 1607-703-31,..... | 1607-703-3,..... | | | | | | | | | | | | | | | | | | |
| | N | 1607-704-31,..... | 1607-704-3,..... | | | | | | | | | | | | | | | | | | |
| 35 | UP | 1607-309-31,..... | 1607-309-3,..... | | | | | | | 150 | 6 / 356 | 11 / 656 | 18 / 1076 | 35 / 2096 | For size 15: max. 50/2996 | | | | | | |
| | SP | 1607-301-31,..... | 1607-301-3,..... | | | | | | | | | | | | | | | | | | |
| | P | 1607-302-31,..... | 1607-302-3,..... | | | | | | | | | | | | | | | | | | |
| | H | 1607-303-31,..... | 1607-303-3,..... | | | | | | | | | | | | | | | | | | |
| | N | 1607-304-31,..... | 1607-304-3,..... | | | | | | | | | | | | | | | | | | |
| 45 | UP | 1607-409-31,..... | 1607-409-3,..... | | | | | | | | | | | | | 180 | 2 / 156 | 7 / 556 | 12 / 956 | 20 / 1596 | 40 / 3196 |
| | SP | 1607-401-31,..... | 1607-401-3,..... | | | | | | | | | | | | | | | | | | |
| | P | 1607-402-31,..... | 1607-402-3,..... | | | | | | | | | | | | | | | | | | |
| | H | 1607-403-31,..... | 1607-403-3,..... | | | | | | | | | | | | | | | | | | |
| | N | 1607-404-31,..... | 1607-404-3,..... | | | | | | | | | | | | | | | | | | |
| 55 | UP | 1607-509-31,..... | 1607-509-3,..... | 240 | 3 / 236 | 8 / 636 | 13 / 1036 | 22 / 1756 | 50 / 3996 | | | | | | | | | | | | |
| | SP | 1607-501-31,..... | 1607-501-3,..... | | | | | | | | | | | | | | | | | | |
| | P | 1607-502-31,..... | 1607-502-3,..... | | | | | | | | | | | | | | | | | | |
| | H | 1607-503-31,..... | 1607-503-3,..... | | | | | | | | | | | | | | | | | | |
| | N | 1607-504-31,..... | 1607-504-3,..... | | | | | | | | | | | | | | | | | | |
| 65 | UP | 1607-609-31,..... | 1607-609-3,..... | | | | | | | 300 | 4 / 316 | 9 / 716 | 14 / 1116 | 25 / 1996 | 6 / 476 | | | | | | |
| | SP | 1607-601-31,..... | 1607-601-3,..... | | | | | | | | | | | | | | | | | | |
| | P | 1607-602-31,..... | 1607-602-3,..... | | | | | | | | | | | | | | | | | | |
| | H | 1607-603-31,..... | 1607-603-3,..... | | | | | | | | | | | | | | | | | | |
| | N | 1607-604-31,..... | 1607-604-3,..... | | | | | | | | | | | | | | | | | | |
| 75 | UP | 1607-709-31,..... | 1607-709-3,..... | | | | | | | | | | | | | 360 | 5 / 396 | 10 / 796 | 16 / 1276 | 30 / 2396 | 8 / 834 |
| | SP | 1607-701-31,..... | 1607-701-3,..... | | | | | | | | | | | | | | | | | | |
| | P | 1607-702-31,..... | 1607-702-3,..... | | | | | | | | | | | | | | | | | | |
| | H | 1607-703-31,..... | 1607-703-3,..... | | | | | | | | | | | | | | | | | | |
| | N | 1607-704-31,..... | 1607-704-3,..... | | | | | | | | | | | | | | | | | | |
| 85 | UP | 1607-309-31,..... | 1607-309-3,..... | 420 | 9 / 939 | 14 / 1464 | 22 / 2304 | 44 / 4608 | 11 / 1149 | | | | | | | | | | | | |
| | SP | 1607-301-31,..... | 1607-301-3,..... | | | | | | | | | | | | | | | | | | |
| | P | 1607-302-31,..... | 1607-302-3,..... | | | | | | | | | | | | | | | | | | |
| | H | 1607-303-31,..... | 1607-303-3,..... | | | | | | | | | | | | | | | | | | |
| | N | 1607-304-31,..... | 1607-304-3,..... | | | | | | | | | | | | | | | | | | |
| 95 | UP | 1607-409-31,..... | 1607-409-3,..... | | | | | | | 480 | 10 / 1044 | 16 / 1674 | 30 / 3144 | 60 / 6288 | 12 / 1254 | | | | | | |
| | SP | 1607-401-31,..... | 1607-401-3,..... | | | | | | | | | | | | | | | | | | |
| | P | 1607-402-31,..... | 1607-402-3,..... | | | | | | | | | | | | | | | | | | |
| | H | 1607-403-31,..... | 1607-403-3,..... | | | | | | | | | | | | | | | | | | |
| | N | 1607-404-31,..... | 1607-404-3,..... | | | | | | | | | | | | | | | | | | |
| 105 | UP | 1607-509-31,..... | 1607-509-3,..... | | | | | | | | | | | | | 600 | 11 / 1149 | 18 / 1884 | 35 / 3669 | 70 / 7338 | 13 / 1359 |
| | SP | 1607-501-31,..... | 1607-501-3,..... | | | | | | | | | | | | | | | | | | |
| | P | 1607-502-31,..... | 1607-502-3,..... | | | | | | | | | | | | | | | | | | |
| | H | 1607-503-31,..... | 1607-503-3,..... | | | | | | | | | | | | | | | | | | |
| | N | 1607-504-31,..... | 1607-504-3,..... | | | | | | | | | | | | | | | | | | |
| 115 | UP | 1607-609-31,..... | 1607-609-3,..... | 720 | 12 / 1254 | 20 / 2094 | 40 / 4188 | 80 / 8376 | 22 / 2304 | | | | | | | | | | | | |
| | SP | 1607-601-31,..... | 1607-601-3,..... | | | | | | | | | | | | | | | | | | |
| | P | 1607-602-31,..... | 1607-602-3,..... | | | | | | | | | | | | | | | | | | |
| | H | 1607-603-31,..... | 1607-603-3,..... | | | | | | | | | | | | | | | | | | |
| | N | 1607-604-31,..... | 1607-604-3,..... | | | | | | | | | | | | | | | | | | |
| 125 | UP | 1607-709-31,..... | 1607-709-3,..... | | | | | | | 840 | 13 / 1359 | 22 / 2304 | 44 / 4608 | 88 / 9216 | 25 / 2619 | | | | | | |
| | SP | 1607-701-31,..... | 1607-701-3,..... | | | | | | | | | | | | | | | | | | |
| | P | 1607-702-31,..... | 1607-702-3,..... | | | | | | | | | | | | | | | | | | |
| | H | 1607-703-31,..... | 1607-703-3,..... | | | | | | | | | | | | | | | | | | |
| | N | 1607-704-31,..... | 1607-704-3,..... | | | | | | | | | | | | | | | | | | |
| 135 | UP | 1607-309-31,..... | 1607-309-3,..... | | | | | | | | | | | | | 1080 | 16 / 1674 | 30 / 3144 | 60 / 6288 | 120 / 12576 | 38 / 3984 |
| | SP | 1607-301-31,..... | 1607-301-3,..... | | | | | | | | | | | | | | | | | | |
| | P | 1607-302-31,..... | 1607-302-3,..... | | | | | | | | | | | | | | | | | | |
| | H | 1607-303-31,..... | 1607-303-3,..... | | | | | | | | | | | | | | | | | | |
| | N | 1607-304-31,..... | 1607-304-3,..... | | | | | | | | | | | | | | | | | | |
| 145 | UP | 1607-409-31,..... | 1607-409-3,..... | 1200 | 18 / 1884 | 35 / 3669 | 70 / 7338 | 140 / 14676 | 22 / 2304 | | | | | | | | | | | | |
| | SP | 1607-401-31,..... | 1607-401-3,..... | | | | | | | | | | | | | | | | | | |
| | P | 1607-402-31,..... | 1607-402-3,..... | | | | | | | | | | | | | | | | | | |
| | H | 1607-403-31,..... | 1607-403-3,..... | | | | | | | | | | | | | | | | | | |
| | N | 1607-404-31,..... | 1607-404-3,..... | | | | | | | | | | | | | | | | | | |
| 155 | UP | 1607-509-31,..... | 1607-509-3,..... | | | | | | | 1560 | 22 / 2304 | 44 / 4608 | 88 / 9216 | 176 / 18432 | 22 / 2304 | | | | | | |
| | SP | 1607-501-31,..... | 1607-501-3,..... | | | | | | | | | | | | | | | | | | |
| | P | 1607-502-31,..... | 1607-502-3,..... | | | | | | | | | | | | | | | | | | |
| | H | 1607-503-31,..... | 1607-503-3,..... | | | | | | | | | | | | | | | | | | |
| | N | 1607-504-31,..... | 1607-504-3,..... | | | | | | | | | | | | | | | | | | |
| 165 | UP | 1607-609-31,..... | 1607-609-3,..... | | | | | | | | | | | | | 1920 | 30 / 3144 | 60 / 6288 | 120 / 12576 | 240 / 25152 | 22 / 2304 |
| | SP | 1607-601-31,..... | 1607-601-3,..... | | | | | | | | | | | | | | | | | | |
| | P | 1607-602-31,..... | 1607-602-3,..... | | | | | | | | | | | | | | | | | | |
| | H | 1607-603-31,..... | 1607-603-3,..... | | | | | | | | | | | | | | | | | | |
| | N | 1607-604-31,..... | 1607-604-3,..... | | | | | | | | | | | | | | | | | | |
| 175 | UP | 1607-709-31,..... | 1607-709-3,..... | 2400 | 35 / 3669 | 70 / 7338 | 140 / 14676 | 280 / 29352 | 22 / 2304 | | | | | | | | | | | | |
| | SP | 1607-701-31,..... | 1607-701-3,..... | | | | | | | | | | | | | | | | | | |
| | P | 1607-702-31,..... | 1607-702-3,..... | | | | | | | | | | | | | | | | | | |
| | H | 1607-703-31,..... | 1607-703-3,..... | | | | | | | | | | | | | | | | | | |
| | N | 1607-704-31,..... | 1607-704-3,..... | | | | | | | | | | | | | | | | | | |
| 185 | UP | 1607-309-31,..... | 1607-309-3,..... | | | | | | | 3000 | 44 / 4608 | 88 / 9216 | 176 / 18432 | 352 / 36864 | 22 / 2304 | | | | | | |
| | SP | 1607-301-31,..... | 1607-301-3,..... | | | | | | | | | | | | | | | | | | |
| | P | 1607-302-31,..... | 1607-302-3,..... | | | | | | | | | | | | | | | | | | |
| | H | 1607-303-31,..... | 1607-303-3,..... | | | | | | | | | | | | | | | | | | |
| | N | 1607-304-31,..... | 1607-304-3,..... | | | | | | | | | | | | | | | | | | |
| 195 | UP | 1607-409-31,..... | 1607-409-3,..... | | | | | | | | | | | | | 3600 | 60 / 6288 | 120 / 12576 | 240 / 25152 | 480 / 49304 | 22 / 2304 |
| | SP | 1607-401-31,..... | 1607-401-3,..... | | | | | | | | | | | | | | | | | | |
| | P | 1607-402-31,..... | 1607-402-3,..... | | | | | | | | | | | | | | | | | | |
| | H | 1607-403-31,..... | 1607-403-3,..... | | | | | | | | | | | | | | | | | | |
| | N | 1607-404-31,..... | 1607-404-3,..... | | | | | | | | | | | | | | | | | | |
| 205 | UP | 1607-509-31,..... | 1607-509-3,..... | 4200 | 88 / 9216 | 176 / 18432 | 352 / 36864 | 704 / 72096 | 22 / 2304 | | | | | | | | | | | | |
| | SP | 1607-501-31,..... | 1607-501-3,..... | | | | | | | | | | | | | | | | | | |
| | P | 1607-502-31,..... | 1607-502-3,..... | | | | | | | | | | | | | | | | | | |
| | H | 1607-503-31,..... | 1607-503-3,..... | | | | | | | | | | | | | | | | | | |
| | N | 1607-504-31,..... | 1607-504-3,..... | | | | | | | | | | | | | | | | | | |
| 215 | UP | 1607-609-31,..... | 1607-609-3,..... | | | | | | | 5400 | 120 / 12576 | 240 / 25152 | 480 / 49304 | 960 / 98608 | 22 / 2304 | | | | | | |
| | SP | 1607-601-31,..... | 1607-601-3,..... | | | | | | | | | | | | | | | | | | |
| | P | 1607-602-31,..... | 1607-602-3,..... | | | | | | | | | | | | | | | | | | |
| | H | 1607-603-31,..... | 1607-603-3,..... | | | | | | | | | | | | | | | | | | |
| | N | 1607-604-31,..... | 1607-604-3,..... | | | | | | | | | | | | | | | | | | |
| 225 | UP | 1607-709-31,..... | 1607-709-3,..... | | | | | | | | | | | | | 7200 | 176 / 18432 | 352 / 36864 | 704 / 72096 | 1408 / 144224 | 22 / 2304 |
| | SP | 1607-701-31,..... | 1607-701-3,..... | | | | | | | | | | | | | | | | | | |
| | P | 1607-702-31,..... | 1607-702-3,..... | | | | | | | | | | | | | | | | | | |
| | H | 1607-703-31,..... | 1607-703-3,..... | | | | | | | | | | | | | | | | | | |
| | N | 1607-704-31,..... | 1607-704-3,..... | | | | | | | | | | | | | | | | | | |
| 235 | UP | 1607-309-31,..... | 1607-309-3,..... | 9000 | 240 / 25152 | 480 / 49304 | 960 / 98608 | 1920 / 197216 | 22 / 2304 | | | | | | | | | | | | |
| | SP | 1607-301-31,..... | 1607-301-3,..... | | | | | | | | | | | | | | | | | | |
| | P | 1607-302-31,..... | 1607-302-3,..... | | | | | | | | | | | | | | | | | | |
| | H | 1607-303-31,..... | 1607-303-3,..... | | | | | | | | | | | | | | | | | | |
| | N | 1607-304-31,..... | 1607-304-3,..... | | | | | | | | | | | | | | | | | | |
| 245 | UP | 1607-409-31,..... | 1607-409-3,..... | | | | | | | 10800 | 352 / 36864 | 704 / 72096 | 1408 / 144224 | 2816 / 287456 | 22 / 2304 | | | | | | |
| | SP | 1607-401-31,..... | 1607-401-3,..... | | | | | | | | | | | | | | | | | | |
| | P | 1607-402-31,..... | 1607-402-3,..... | | | | | | | | | | | | | | | | | | |
| | H | 1607-403-31,..... | 1607-403-3,..... | | | | | | | | | | | | | | | | | | |
| | N | 1607-404-31,..... | 1607-404-3,..... | | | | | | | | | | | | | | | | | | |
| 255 | UP | 1607-509-31,..... | 1607-509-3,..... | | | | | | | | | | | | | 14400 | 704 / 72096 | 1408 / 144224 | 2816 / 287456 | 5632 / 574912 | 22 / 2304 |
| | SP | 1607-501-31,..... | 1607-501-3,..... | | | | | | | | | | | | | | | | | | |
| | P | 1607-502-31,..... | 1607-502-3,..... | | | | | | | | | | | | | | | | | | |
| | H | 1607-503-31,..... | 1607-503-3,..... | | | | | | | | | | | | | | | | | | |
| | N | 1607-504-31,..... | 1607-504-3,..... | | | | | | | | | | | | | | | | | | |
| 265 | UP | 1607-609-31,..... | 1607-609-3,..... | 18000 | 1408 / 144224 | 2816 / 287456 | 5632 / 574912 | 11264 / 1159824 | 22 / 2304 | | | | | | | | | | | | |
| | SP | 1607-601-31,..... | 1607-601-3,..... | | | | | | | | | | | | | | | | | | |
| | P | 1607-602-31,..... | 1607-602-3,..... | | | | | | | | | | | | | | | | | | |
| | H | 1607-603-31,..... | 1607-603-3,..... | | | | | | | | | | | | | | | | | | |
| | N | 1607-604-31,..... | 1607-604-3,..... | | | | | | | | | | | | | | | | | | |
| 275 | UP | 1607-709-31,..... | 1607-709-3,..... | | | | | | | 21600 | 2816 / 287456 | 5632 / 574912 | 11264 / 1159824 | 22528 / 2311680 | 22 / 2304 | | | | | | |
| | SP | 1607-701-31,..... | 1607-701-3,..... | | | | | | | | | | | | | | | | | | |
| | P | 1607-702-31,..... | 1607-702-3,..... | | | | | | | | | | | | | | | | | | |
| | H | 1607-703-31,..... | 1607-703-3,..... | | | | | | | | | | | | | | | | | | |
| | N | 1607-704-31,..... | 1607-704-3,..... | | | | | | | | | | | | | | | | | | |

Dimensions and masses



| Size | Dimension (mm) | | | | | | | | Mass (kg/m) |
|------|----------------|-------|-------|-------|-------------------|------------|-----|-----------|-------------|
| | A_2 | H_2 | N_7 | S_7 | $T_{1s,1}^{+0.5}$ | T_{1min} | T | L_{max} | |
| 15 | 15 | 16.20 | 7.5 | M5 | 28.0 | 10 | 60 | 4000 | 1.4 |
| 20 | 20 | 20.55 | 9.0 | M6 | 28.0 | 10 | 60 | 4000 | 2.4 |
| 25 | 23 | 24.25 | 12.0 | M6 | 28.0 | 10 | 60 | 4000 | 3.2 |
| 30 | 28 | 28.35 | 15.0 | M8 | 38.0 | 12 | 80 | 4000 | 5.0 |
| 35 | 34 | 31.85 | 15.0 | M8 | 38.0 | 12 | 80 | 4000 | 6.8 |
| 45 | 45 | 39.85 | 19.0 | M12 | 50.5 | 16 | 105 | 4000 | 10.5 |
| 55 | 53 | 47.85 | 22.0 | M14 | 58.0 | 18 | 120 | 4000 | 16.2 |
| 65 | 63 | 59.85 | 25.0 | M16 | 73.0 | 20 | 150 | 4000 | 22.4 |