

Technical data / MULTIMAT B23 R

Drive type	single drive
Protection classification	protection classification III
Protection category	IP 20
Motor voltage	24 V DC
Operating mode	intermittent duty 2/18 min.
Type of load	clockwise / anti-clockwise rotation
Adjustment load	-
max. rpm *	65 rpm, 75 rpm, 120 rpm / 24 V DC
max. torque	5 Nm
Torque transfer	standard hexag. steel shaft SW 7 / SW 10 acc. to DIN EN 10278
Mains connection	-
Colours	black
Equipment options	memory (hall sensor), integrated control with electronic limit switches
Controls which can be fitted directly to the drive	MBK
Available drives	-

* depending on drive configuration at constant 24V without load

We reserve the right to make technical alternations

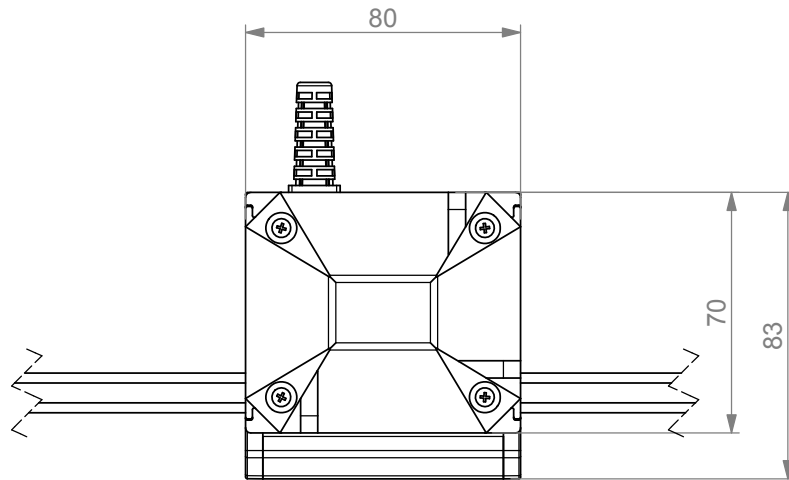
MULTIMAT B23 R



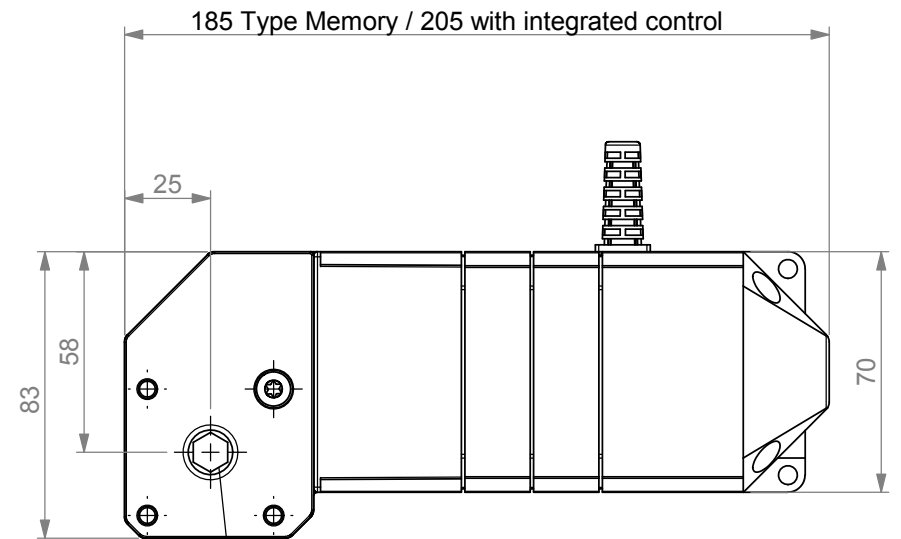
DEWERT

A Phoenix Mecano Company

Front view



Side view



Hexagon socket SW7 / SW10
for holding the drive shaft

Top view

