

Technical data / MULTIMAT B23

Drive type	single drive		
Protection classification	protection classification III		
Protection category	IP 20 (IP 44 also available with expansion bellows)		
Motor voltage	24 V DC		
Operating mode	intermittent duty 2/18 min.		
Type of load	push / pull		
Stroke	up to 345 mm		
Adjustment load	max. 4000 N		
Mains connection	-		
Fitting dimension (B)	B1 / B2: 55 / 170 mm		
Colours	black		
Equipment options	memory (hall sensor)		
Stroke pipe materials	-		
Controls which can be fitted directly to the drive	MBK		
Available drives	MULTIMAT B23 1500	MULTIMAT B23 2000	MULTIMAT B23 4000
max. push / pull force for stroke D1 up to 300 mm	1500 / 1500 N	2000 / 2000 N	4000 / 4000 N
max. push / pull force for stroke D2 up to 415 mm	1500 / 1500 N	2000 / 2000 N	4000 / 4000 N
max. push / pull force for stroke D1 up to 400 mm	1500 / 1500 N	2000 / 2000 N	2000 / 4000 N
max. push / pull force for stroke D2 up to 515 mm	1500 / 1500 N	2000 / 2000 N	2000 / 4000 N
Adjustment speed **	up to 12,0 mm/s	up to 10,0 mm/s	up to 6,5 mm/s

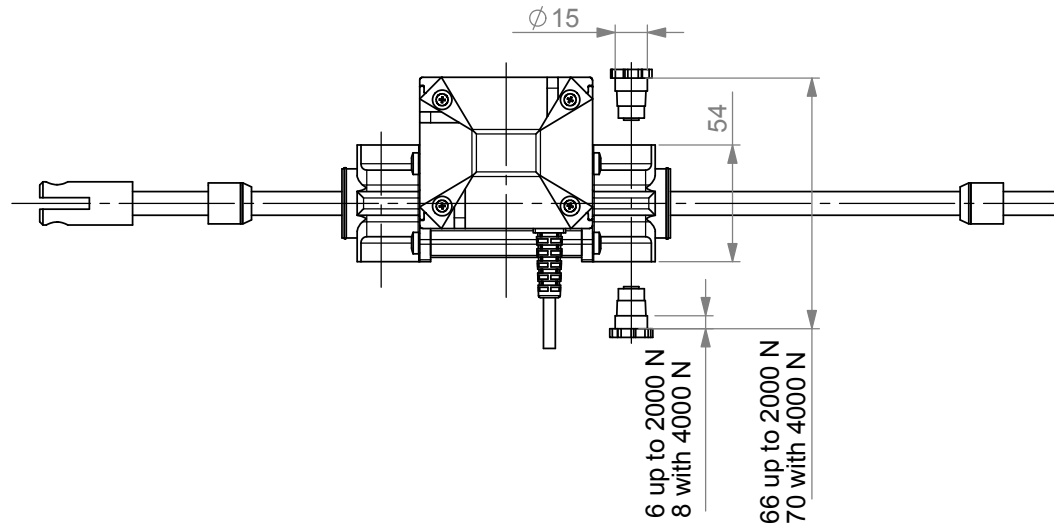
** depending on drive configuration at constant 24V without load

We reserve the right to make technical alternations

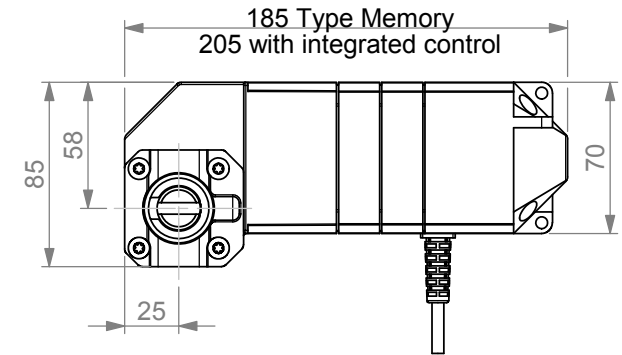
MULTIMAT B23



Front view



Side view



Top view

