

Technical data / MULTIMAT A24

Drive type	single drive
Protection classification	protection classification III (protection classification II as an option with integrated control)
Protection category	IP 20 (IP 66 optional)
Motor voltage	24 V DC
Operating mode	intermittent duty 2/18 min.
Type of load	push / pull
Stroke	up to 400 mm
Adjustment load	max. 4000 N
Mains connection (only with main drives)	230 V AC 50 - 60 Hz (country-specific variants on demand)
Fitting dimension (B)	200 to 240 mm (depending on the drive type)
Colours	light grey, black
Equipment options	mains cut-off (not with IP 66), memory (hall sensor)
Stroke pipe materials	-
Controls which can be fitted directly to the drive	-
Available drives	MULTIMAT A24
max. push / pull force for dim. D 201 - 400 mm	4000 / 4000 N
max. push / pull force for dim. D 401 - 470 mm	3000 / 4000 N
max. push / pull force for dim. D 471 - 520 mm	3000 / 4000 N
max. push / pull force for dim. D 521 - 590 mm	2000 / 4000 N
max. push / pull force for dim. D 591 - 640 mm	1000 / 4000 N
Adjustment speed **	up to 9,0 mm/s

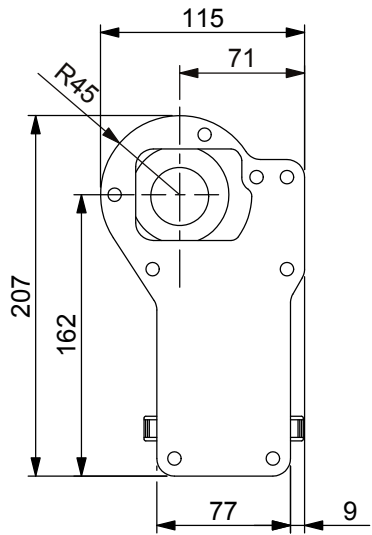
** depending on drive configuration at constant 24V without load

We reserve the right to make technical alternations

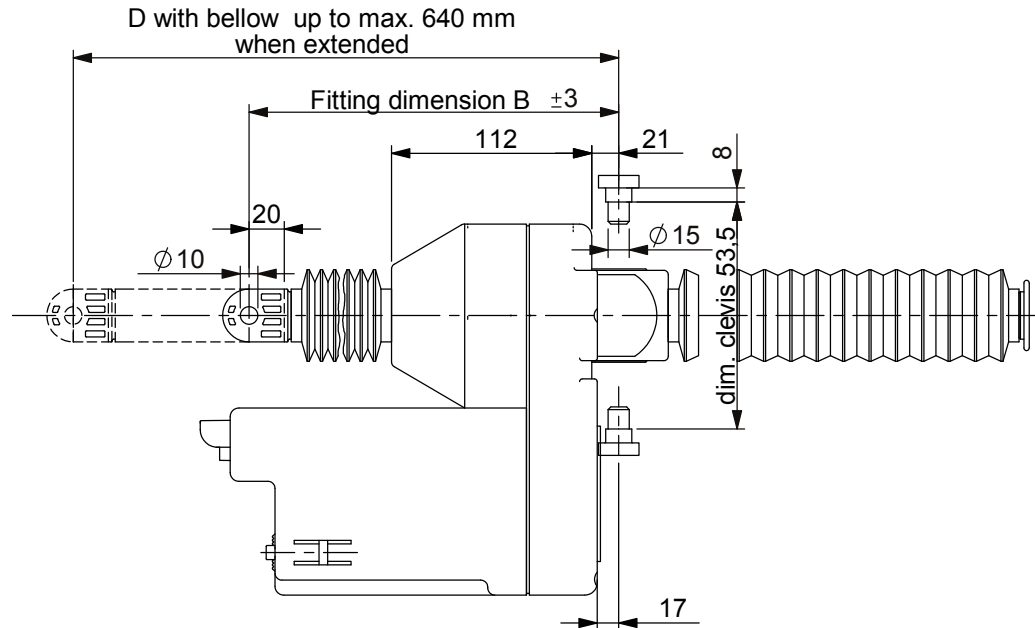
MULTIMAT A24



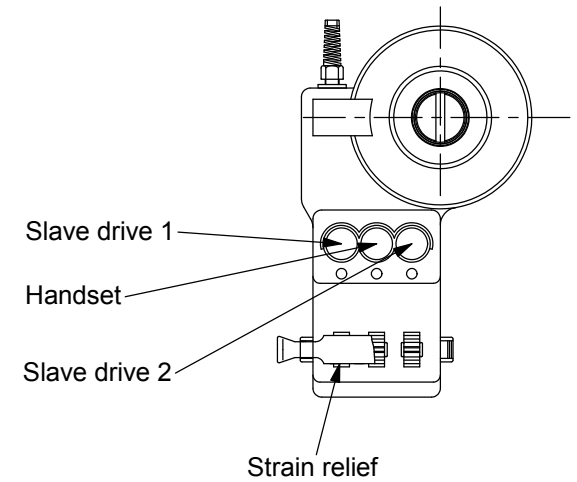
Side view right



Front view



Side view



Top view

