

Technical data / MEGAMAT

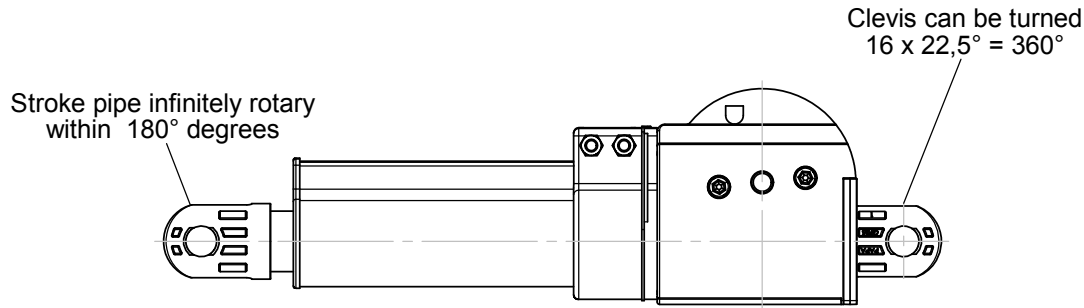
Drive type	single drive				
Protection classification	protection classification III				
Protection category	IP 20 (IP 44 / IP 66 optional)				
Motor voltage	24 V DC				
Operating mode	intermittent duty 2/18 min.				
Type of load	push / pull				
Stroke	up to 500 mm				
Adjustment load	max. 6000 N				
Emergency release	ER only on MEGAMAT 500 N, 1500 N and 2000 N (optional; only for push-drives)				
Mains connection	-				
Fitting dimension (B)	163 to 210 mm + stroke (depending on the drive type)				
Colours	black, light grey				
Equipment options	memory (hall sensor), ER (up to 2000 N)				
Stroke pipe materials	aluminium				
Controls which can be fitted directly to the drive	MBL, MBK, MBXL				
Available drives	MEGAMAT 500	MEGAMAT 1500	MEGAMAT 2000	MEGAMAT 4000	MEGAMAT 6000
max. push / pull force at stroke 0 - 300 mm	500 / 500 N	1500 / 1500 N	2000 / 2000 N	4000 / 4000 N	6000 / 4000 N
max. push / pull force at stroke 301 - 400 mm	500 / 500 N	1500 / 1500 N	2000 / 2000 N	4000 / 4000 N	-
max. push / pull force at stroke 401 - 500 mm	500 / 500 N	1500 / 1500 N	2000 / 2000 N	-	-
Adjustment speed **	up to 36,0 mm/s	up to 16,5 mm/s	up to 12,0 mm/s	up to 9,0 mm/s	up to 8,0 mm/s

** depending on drive configuration at constant 24V without load

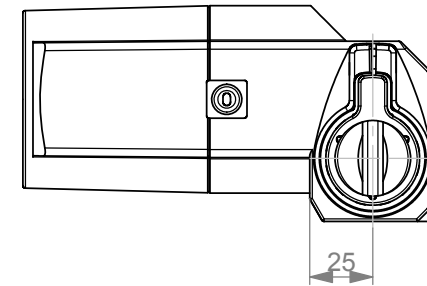
We reserve the right to make technical alternations

MEGAMAT

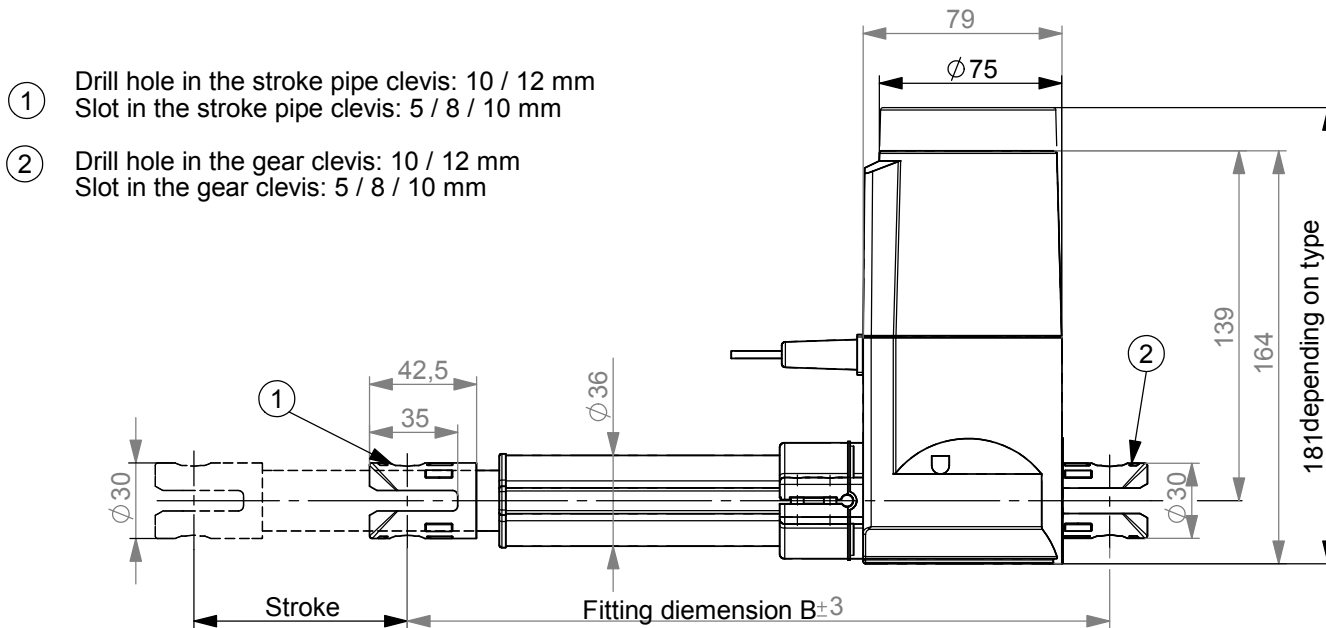
Front view



Side view



Top view



Emergency release ER

