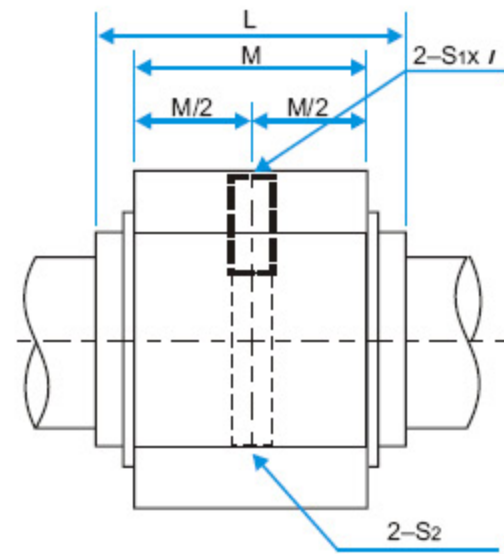
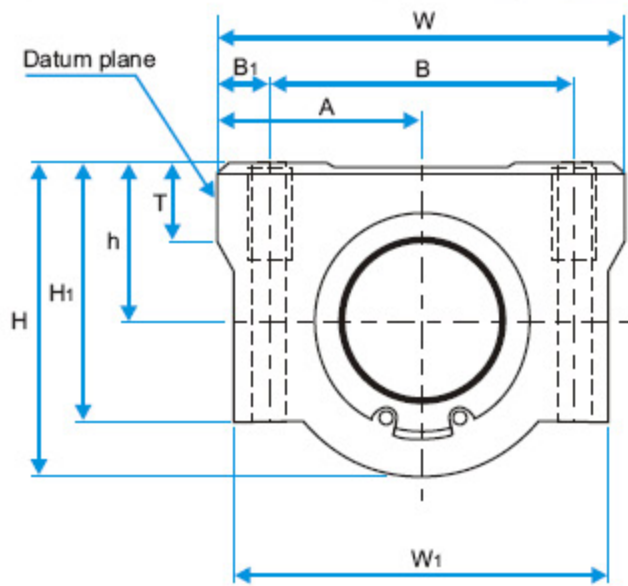


FEATURES

- Compact aluminium housing
- 2 mounting holes
- Standard ball bushing
- Sealed



Dimensions: (mm)

Part number	Shaft size ∅	Height H	Width W	Length L	Mounting hole position			TAP	S1 x l	S2	±0.02 h	±0.02 A	H1	W1	T	Basic load rating		Unit weight g
					B	B1	M									C N	CO N	
SC 12VUU	12	30	44	30	33	5.5	20.5	M5X10	M4	15	22	26	41	8	411	598	74	
SC 16VUU	16	38.5	50	37	36	7	23.5	M5X12	M4	19	25	35	46	9	774	1176	132	
SC 20VUU	20	42	54	42	40	7	27.4	M6X12	M5	21	27	36	52	11	862	1372	170	
SC 25VUU	25	51.5	76	59	54	11	37.4	M8X10	M6	26	38	41	68	12	990	1568	405	
SC 30VUU	30	59.5	78	64	58	10	40.9	M8X18	M6	30	39	49	72	15	1568	2794	495	
SC 40VUU	40	78	102	80	80	11	56.4	M10X25	M8	40	51	62	96	20	2156	4019	1220	
SC 50VUU	50	102	122	100	100	11	68.9	M10X25	M8	52	61	80	116	25	3823	7941	2300	

1N=0.102kgf



STATEWIDE
LINEAR BEARINGS