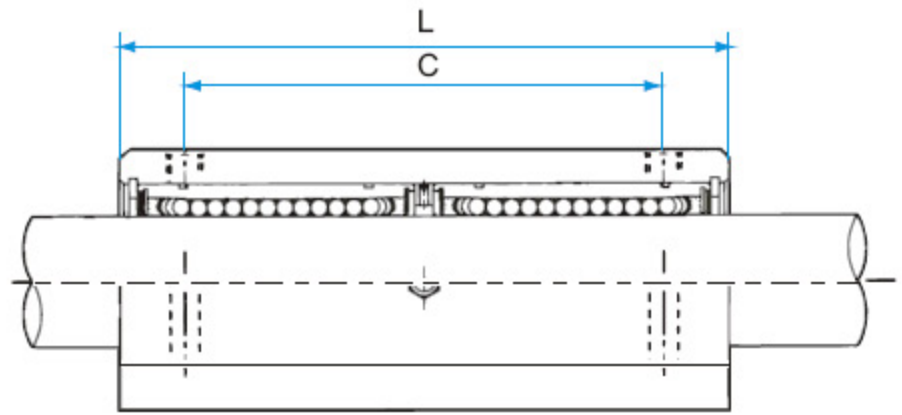
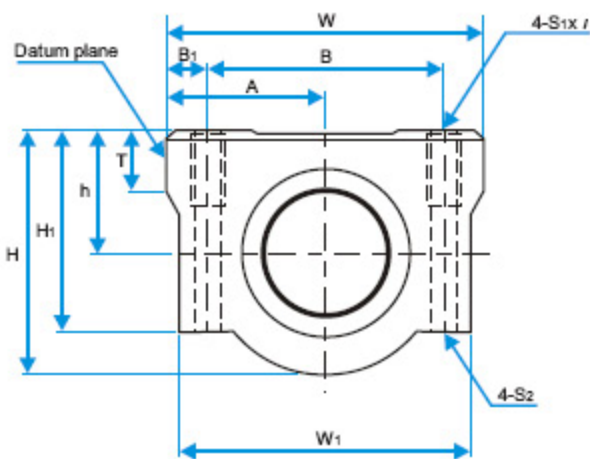


FEATURES

- Tandem version
(2 bearings per housing)
- Aluminium alloy housing
- Super ball bushings
- Sealed



- Also available with: Stainless steel or ceramic bearings.



Dimensions: (mm)

Part Number	Shaft size	Height	Width	Length	Mounting hole position			TAP	S2	±0.02	±0.02	h	A	H1	W1	T	Basic load rating		Unit Weight
					B	B1	C										c N	co N	
SC 12TKWUU	12	30	44	77	33	5.5	64	M5X10	M4	15	22	26	41	8	1652	2580	232		
SC 16TKWUU	16	38.5	50	89	36	7	79	M5X12	M4	19	25	35	46	9	2025	3100	360		
SC 20TKWUU	20	42	54	106	40	7	90	M6X12	M5	21	27	36	52	11	3390	5260	490		
SC 25TKWUU	25	51.5	76	136	54	11	119	M8X18	M6	26	38	41	68	12	6120	9440	1100		
SC 30TKWUU	30	59.5	78	154	58	10	132	M8X18	M6	30	39	49	72	15	8860	13620	1525		
SC 40TKWUU	40	78	102	180	80	11	150	M10X25	M8	40	51	62	96	20	10680	16460	3400		
SC 50TKWUU	50	102	122	230	100	11	200	M10X25	M8	52	61	80	116	25	18000	12940	5920		

1N=0.102kgf



STATEWIDE
LINEAR BEARINGS