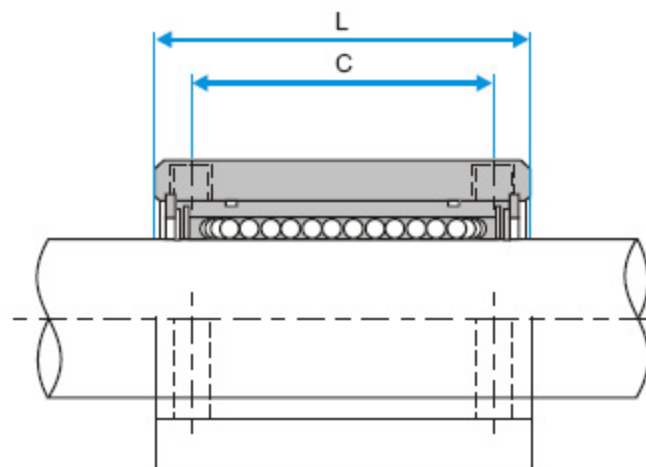
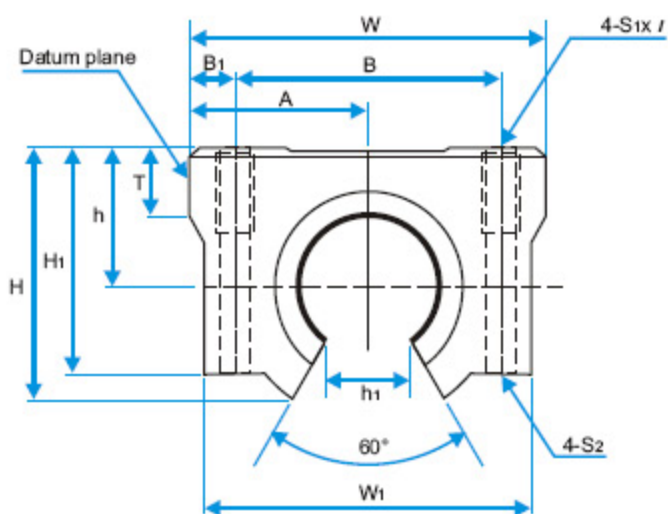


FEATURES

- Aluminium alloy housing
- Super ball bushing
- Self-aligning capability
- Sealed



● Also available with: Stainless steel or ceramic bearings
or: Tandem version (2 bearings per housing) see page 9



SEE PAGE 18 FOR MATCHING SUPPORT RAILS

Dimensions: (mm)

| Part number | Shaft size ∅ | Height H | Width W | Length L | Mounting hole position | | | h ₁ | TAP | | ±0.02 | | ±0.05 | | T | Basic load rating | | Unit weight g |
|---------------|-----------------|-------------|------------|-------------|------------------------|----------------|----|----------------|--------------------|----------------|-------|----|----------------|----------------|----|-------------------|---------------------|------------------|
| | | | | | B | B ₁ | C | | S ₁ X l | S ₂ | h | A | H ₁ | W ₁ | | C N | C ₀ N | |
| SC 12TKUU OPN | 12 | 28 | 44 | 39 | 33 | 5.5 | 26 | 7 | M5x10 | M4 | 15 | 22 | 26 | 41 | 8 | 816 | 1032 | 90 |
| SC 16TKUU OPN | 16 | 35 | 50 | 44 | 36 | 7 | 34 | 9 | M5x12 | M4 | 19 | 25 | 35 | 46 | 9 | 1000 | 1240 | 140 |
| SC 20TKUU OPN | 20 | 39 | 54 | 53 | 40 | 7 | 40 | 9 | M6x12 | M5 | 21 | 27 | 36 | 52 | 11 | 1672 | 2104 | 200 |
| SC 25TKUU OPN | 25 | 47 | 76 | 67 | 54 | 11 | 50 | 12 | M6x18 | M6 | 26 | 38 | 41 | 68 | 12 | 3024 | 3776 | 420 |
| SC 30TKUU OPN | 30 | 55 | 78 | 76 | 58 | 10 | 58 | 14 | M8x18 | M6 | 30 | 39 | 49 | 72 | 15 | 4376 | 4126 | 580 |
| SC 40TKUU OPN | 40 | 74 | 102 | 90 | 80 | 11 | 60 | 20 | M10x25 | M8 | 40 | 51 | 62 | 96 | 20 | 5232 | 6554 | 1210 |
| SC 50TKUU OPN | 50 | 98 | 122 | 110 | 100 | 11 | 80 | 23 | M10x25 | M8 | 52 | 61 | 80 | 116 | 25 | 8940 | 7380 | 2380 |

1N=0.102kgf



STATEWIDE
LINEAR BEARINGS