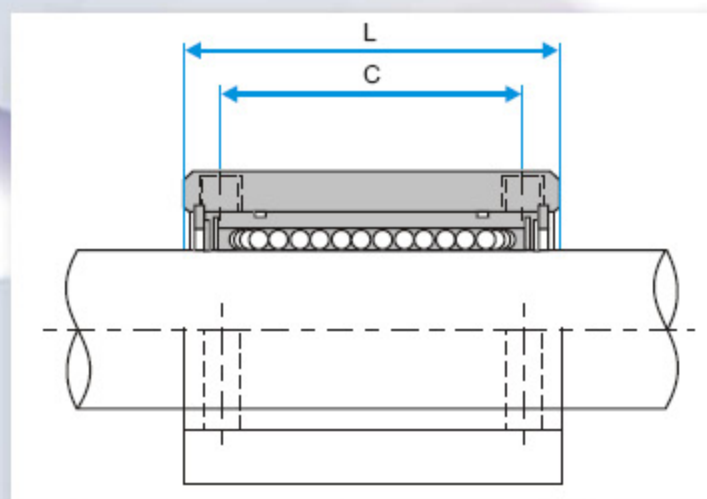
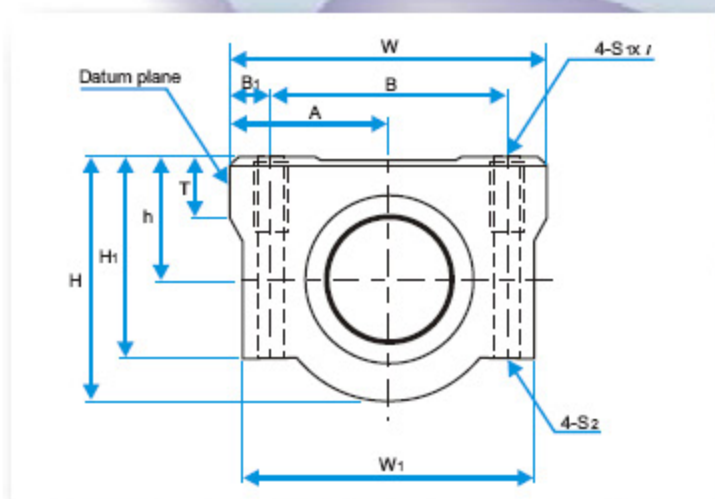


FEATURES

- Aluminium alloy housing
- Super ball bushing
- Self-aligning capability
- Sealed



- Also available with: Stainless steel or ceramic bearings.
or: Tandem version (2 bearings per housing) see page 8



Dimensions: (mm)

Part number	Shaft size Ø	Height H	Width W	Length L	Mounting hole position			TAP	S1 x l	S2	±0.02 h	±0.02 A	H1	W1	T	Basic load rating		Unit weight g
					B	B1	C									C _N	C _{0N}	
SC 12TKUU	12	30	44	39	33	5.5	26	M5X10	M4	15	22	26	41	8	1,020	1,290	100	
SC 16TKUU	16	38.5	50	44	36	7	34	M5X12	M4	19	25	35	46	9	1,250	1,550	160	
SC 20TKUU	20	42	54	53	40	7	40	M6X12	M5	21	27	36	52	11	2,090	2,630	230	
SC 25TKUU	25	51.5	76	67	54	11	50	M8X18	M6	26	38	41	68	12	3,780	4,720	460	
SC 30TKUU	30	59.5	78	76	58	10	58	M8X18	M6	30	39	49	72	15	5,470	6,810	630	
SC 40TKUU	40	78	102	90	80	11	60	M10X25	M8	40	51	62	96	20	6,590	8,230	1270	
SC 50TKUU	50	102	122	110	100	11	80	M10X25	M8	52	61	80	116	25	8,600	7,100	2450	

1N=0.102kgf



STATEWIDE
LINEAR BEARINGS