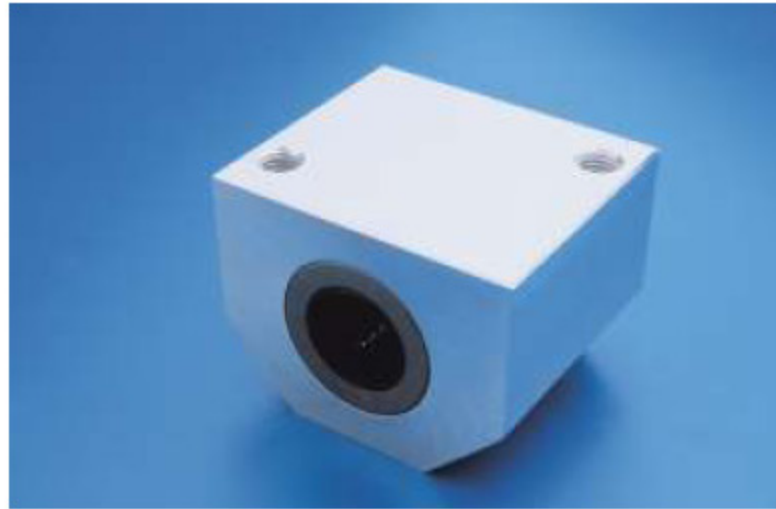
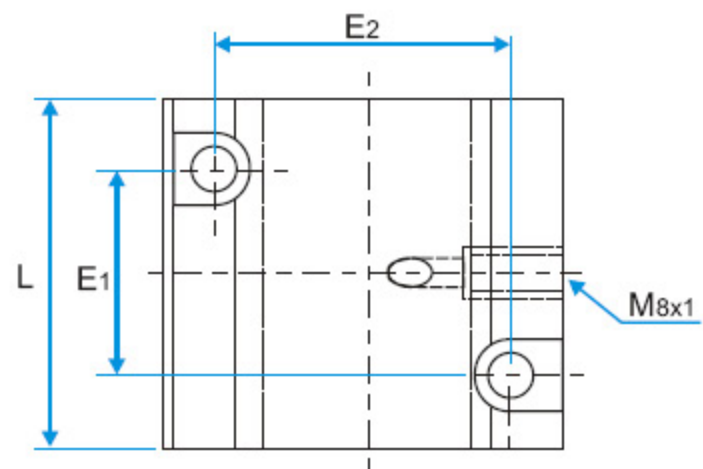
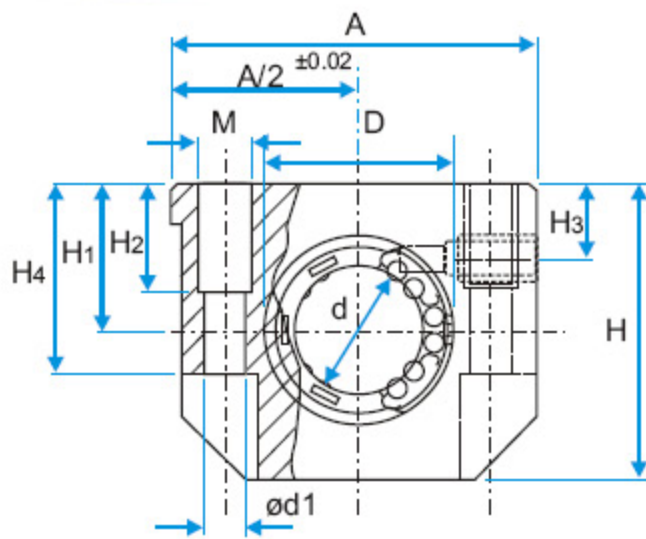


FEATURES

- Aluminium alloy housing
- Super ball bushing
- Self-aligning capability
- Sealed



Also available as tandem units (2 bearings per housing) TAG series



Dimensions: (mm)

Part number	d	D	+0.01 -0.02 H1	H	A	L	±0.15 E2	±0.15 E1	d1	M	H3	H4	H2	Basic load rating		Unit weight g
														C N	Co N	
AG-10-S	10	19	16	31.5	40	36	29	20	4.3	M5	10.5	15	11	500	390	100
AG-12-S	12	22	18	35	43	39	32	23	4.3	M5	10.5	16.5	11	650	520	130
AG-16-S	16	26	22	42	53	43	40	26	5.3	M6	11.5	21	13	800	630	200
AG-20-S	20	32	25	50	60	54	45	32	6.6	M8	13.5	24	18	1500	1250	340
AG-25-S	25	40	30	60	78	67	60	40	8.4	M10	15	29	22	2500	2200	650
AG-30-S	30	47	35	70	87	79	68	45	8.4	M10	16	34	22	3200	2800	970
AG-40-S	40	62	45	90	108	91	86	58	10.5	M12	18	44	26	5500	4900	1800
AG-50-S	50	75	50	105	132	113	108	50	13.5	M16	22	49	34	8600	7100	3000

1N=0.102kgf

