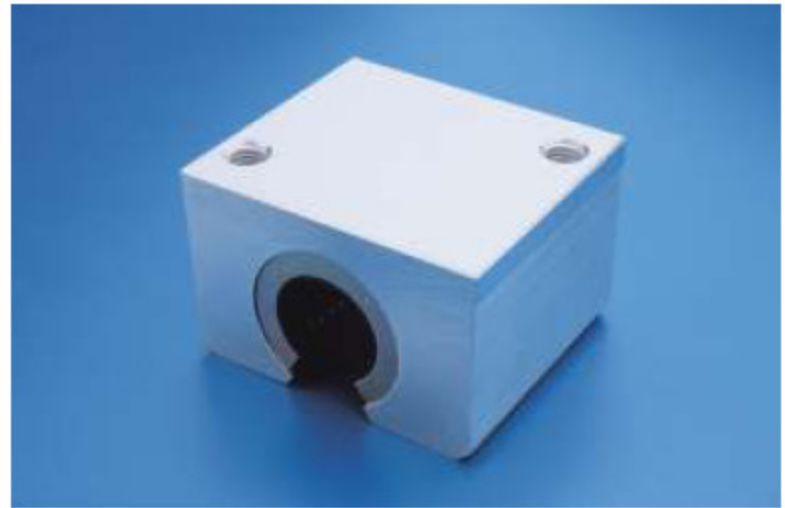


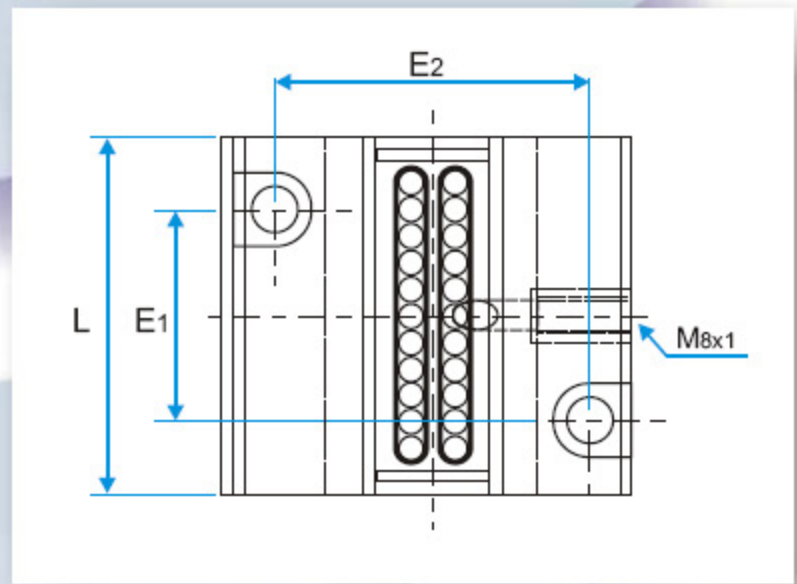
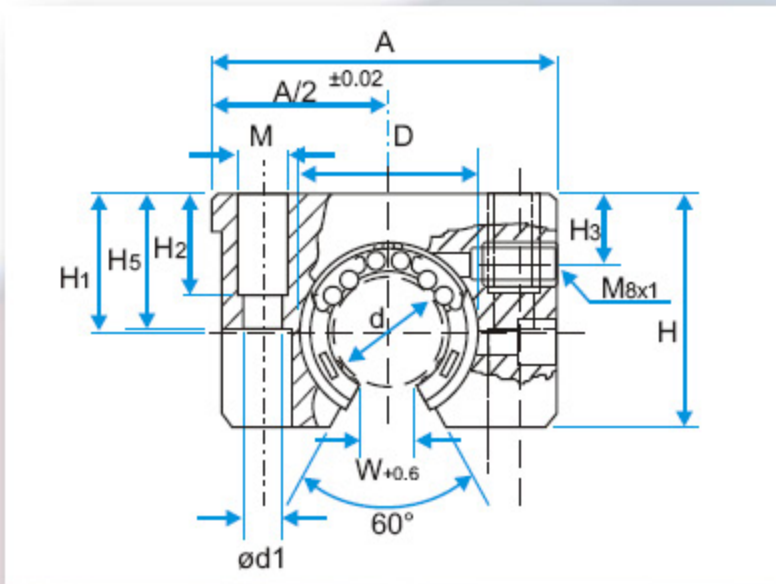
OPEN LINEAR SET TYPE AG-OP

FEATURES

- Aluminium alloy housing
- Super ball bushing
- Self-aligning capability
- Sealed



Also available as tandem units (2 bearings per housing) TAG-OP series



SEE PAGE 18 FOR MATCHING SUPPORT RAILS

Dimensions: (mm)

Part number	d	+0.01 -0.02	H1	H	A	L	±0.15 E2	±0.15 E1	D	d1	M	H5	H2	H3	W	Basic load rating		Unit weight g
																C N	Co N	
AG-OP-12-S	12		18	28	43	39	32	23	22	4.3	M5	16.5	11	10.5	6.5	750	600	110
AG-OP-16-S	16		22	35	53	43	40	26	26	5.3	M6	21	13	11.5	9	920	730	170
AG-OP-20-S	20		25	42	60	54	45	32	32	6.6	M8	24	18	13.5	9	1560	1300	300
AG-OP-25-S	25		30	51	78	67	60	40	40	8.4	M10	29	22	15	11.5	2600	2290	570
AG-OP-30-S	30		35	60	87	79	68	45	47	8.4	M10	34	22	16	14	3330	2910	860
AG-OP-40-S	40		45	77	108	91	86	58	62	10.5	M12	44	26	18	19.5	5720	5100	1600
AG-OP-50-S	50		50	88	132	113	108	50	75	13.5	M16	49	34	22	22.5	8940	7380	2600

1N=0.102kgf



STATEWIDE
LINEAR BEARINGS