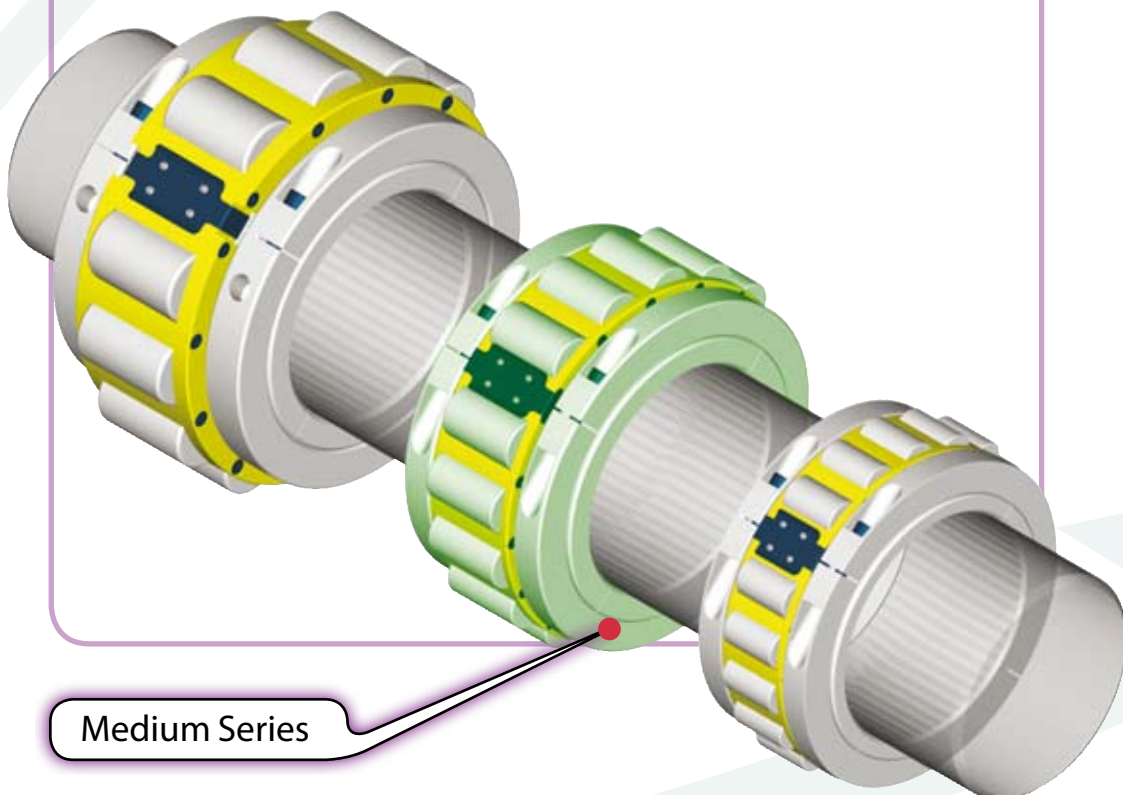


Medium Series

Medium Series bearing products can be utilised in applications requiring higher load carrying capacity. Under nominal conditions, Medium Series may also be selected to provide an extended bearing life when compared to Light Series. Medium Series offers the same range of mounting and sealing solutions as Light Series, with the exception of Hanger units. If a standard catalogue product does not meet your requirements, SRB Technical Services will be happy to provide help and advice on your application.

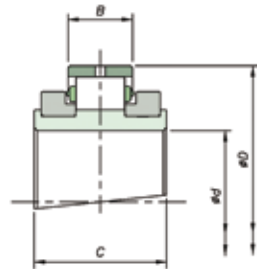
Bearings, Housings & Supports	50mm to 150mm	Page	35 – 36
	160mm to 340mm	Page	37 – 38
	380mm to 600mm	Page	39 – 40
Flange Units		Page	41 – 42
Tensioning Units		Page	43 – 44



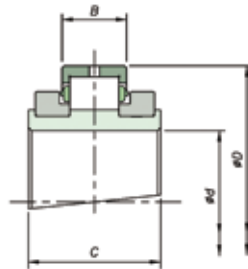
Medium Series

Medium Series Bearing & Housing

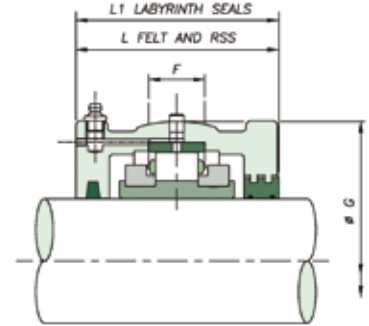
50mm to 150mm



Expansion BX



Retained BR



Shaft (d)		Reference	Bearings Ratings						
mm	inch	Add BR for retained Add BX for expansion e.g. MSM55BR	Dynamic C _r (kN/lb)	Static C _{0r} (kN/lb)	Axial C _a (kN/lb)	Max RPM	D	B	C

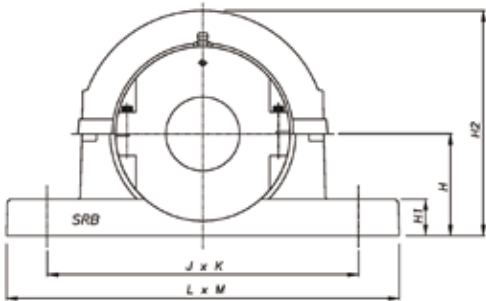
45	1 ¹¹ / ₁₆ 1 ³ / ₄	MSM45	MSE111 MSE112	121	127	6.20	4350	107.95	35.00	67.50
50	1 ¹⁵ / ₁₆ 2	MSM50	MSE115 MSE200	27202	28551	1394	4350	4.250	1.378	2.657
55	2 ³ / ₁₆	MSM55	MSE203	168	190	8.80	3680	127.00	38.90	72.30
60	2 ¹ / ₄	MSM60	MSE204	37768	42714	1978	3680	5.000	1.531	2.846
65	2 ⁷ / ₁₆ 2 ¹ / ₂	MSM65	MSE207 MSE208							
70	2 ¹¹ / ₁₆ 2 ³ / ₄	MSM70	MSE211 MSE212	258	300	10.60	3080	149.22	46.10	82.60
75	2 ¹⁵ / ₁₆ 3	MSM75	MSE215 MSE300	58001	67443	2383	3080	5.875	1.815	3.252
80	3 ³ / ₁₆	MSM80	MSE303	297	353	17.80	2520	169.86	48.40	89.70
85	3 ¹ / ₄	MSM85	MSE304	66768	79358	4002	2520	6.687	1.906	3.531
90	3 ⁷ / ₁₆ 3 ¹ / ₂	MSM90	MSE307 MSE308							
100	3 ¹¹ / ₁₆ 3 ³ / ₄	MSM100	MSE311 MSE312	388	491	25.00	2130	193.68	51.60	92.10
105	3 ¹⁵ / ₁₆ 4	MSM105	MSE315 MSE400	87226	110381	5620	2130	7.625	2.031	3.626
110	4 ³ / ₁₆ 4 ¹ / ₄	MSM110	MSE403 MSE404	454	592	31.20	1820	228.60	57.20	100.00
115	4 ⁷ / ₁₆ 4 ¹ / ₂	MSM115	MSE407 MSE408	102063	133087	7014	1820	9.000	2.252	3.937
120	4 ¹¹ / ₁₆ 4 ³ / ₄	MSM120	MSE411 MSE412	525	700	38.20	1600	254.00	63.50	114.30
125	4 ¹⁵ / ₁₆	MSM125	MSE415	118025	157366	8588	1600	10.000	2.500	4.500
130	5	MSM130	MSE500							
135	5 ³ / ₁₆ 5 ¹ / ₄	MSM135	MSE503 MSE504	600	817	45.40	1450	273.05	66.70	117.50
140	5 ⁷ / ₁₆ 5 ¹ / ₂	MSM140	MSE507 MSE508	134885	183669	10206	1450	10.750	2.626	4.626
150	5 ¹¹ / ₁₆ 5 ³ / ₄	MSM150	MSE511 MSE512	730	1034	52.40	1320	292.10	68.30	123.80
155	5 ¹⁵ / ₁₆	MSM155	MSE515	164111	232453	11780	1320	11.500	2.689	4.874
160A	6	MSM160A	MSE600							

Housing Reference				
Add HR for retained Add HX for expansion e.g. MSM55HR	G	F	L	L ₁

MSM45	MSE111 MSE112	134.94	32	112	114
MSM50	MSE115 MSE200	5.313	1.3	4.4	4.5
MSM55	MSE203				
MSM60	MSE204	157.16	38	124	126
MSM65	MSE207 MSE208	6.187	1.5	4.9	5.0
MSM70	MSE211 MSE212	177.80	50	138	140
MSM75	MSE215 MSE300	7.000	2.0	5.4	5.5
MSM80	MSE303				
MSM85	MSE304	203.20	50	152	154
MSM90	MSE307 MSE308	8.000	2.0	6.0	6.1
MSM100	MSE311 MSE312	231.78	64	144	146
MSM105	MSE315 MSE400	9.125	2.5	5.7	5.7
MSM110	MSE403 MSE404	266.70	76	160	162
MSM115	MSE407 MSE408	10.500	3.0	6.3	6.4
MSM120	MSE411 MSE412	295.28	82	182	184
MSM125	MSE415	11.625	3.2	7.2	7.2
MSM130	MSE500				
MSM135	MSE503 MSE504	323.85	90	186	188
MSM140	MSE507 MSE508	12.750	3.5	7.3	7.4
MSM150	MSE511 MSE512	336.55	95	202	204
MSM155	MSE515	13.250	3.7	8.0	8.0
MSM160A	MSE600				

Medium Series Support

S03 - S31

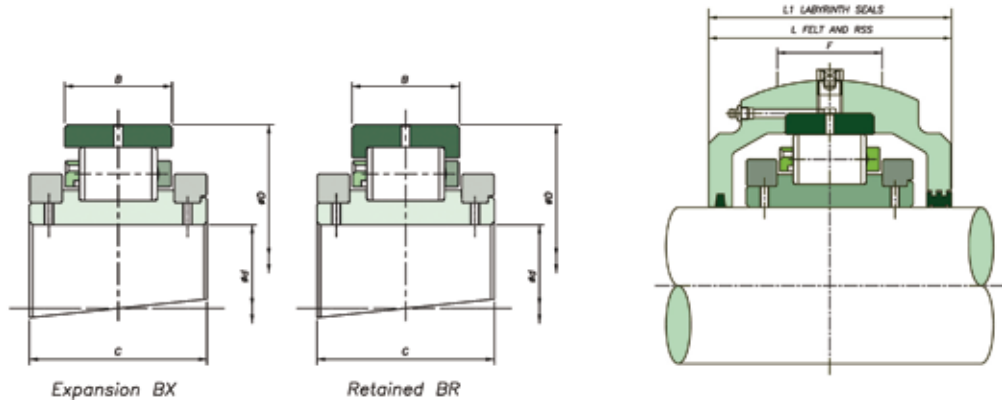


S03 - S31

Shaft (d)		Support Reference	H	H ₁	H ₂	J x K	L x M	Bolts
mm	inch							
45	1 ¹¹ / ₁₆	S03	80	32	180	234	280 x 70	2 x M16
50	1 ³ / ₄		3.150	1.3	7.1	9.2	11 x 2.8	
	2							
55	2 ³ / ₁₆	S04	95	38	208	270	330 x 76	2 x M20
60	2 ¹ / ₄		3.740	1.5	8.2	10.6	13 x 3	
65	2 ⁷ / ₁₆							
70	2 ¹¹ / ₁₆	S05	112	44	252	320	380 x 90	2 x M24
75	2 ³ / ₄		4.409	1.7	9.9	12.6	15 x 3.5	
	3							
80	3 ³ / ₁₆	S06	125	52	272	354	420 x 102	2 x M24
85	3 ¹ / ₄		4.921	2.0	10.7	13.9	16.5 x 4	
90	3 ⁷ / ₁₆							
	3 ¹ / ₂							
100	3 ¹¹ / ₁₆	S07	143	60	314	392	466 x 120	2 x M24
105	3 ³ / ₄		5.630	2.4	12.4	15.4	18.3 x 4.7	
	4							
110	4 ³ / ₁₆	S08	162	38	372	450 x 120	508 x 178	4 x M24
115	4 ¹ / ₄		6.378	1.5	14.6	17.7 x 4.7	20 x 7	
	4 ⁷ / ₁₆							
	4 ¹ / ₂							
120	4 ¹¹ / ₁₆	S10	181	40	415	496 x 120	558 x 178	4 x M24
125	4 ³ / ₄		7.126	1.6	16.3	19.5 x 4.7	22 x 7	
130	4 ¹⁵ / ₁₆							
	5							
135	5 ³ / ₁₆	S30	203	50	460	546 x 120	610 x 178	4 x M24
140	5 ¹ / ₄		7.992	2.0	18.1	21.5 x 4.7	24 x 7	
	5 ⁷ / ₁₆							
	5 ¹ / ₂							
150	5 ¹¹ / ₁₆	S31	210	50	470	558 x 128	636 x 204	4 x M24
155	5 ³ / ₄		8.268	2.0	18.5	22 x 5	25 x 8	
160A	5 ¹⁵ / ₁₆							
	6							

Medium Series Bearing & Housing

160mm to 340mm

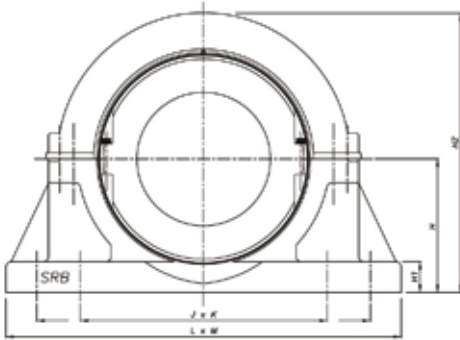


Shaft (d)		Reference		Bearings Ratings						
mm	inch	Add BR for retained Add BX for expansion e.g. MSM160BR		Dynamic C _r (kN/lb)	Static C _{0r} (kN/lb)	Axial C _a (kN/lb)	Max RPM	D	B	C
160	6 ¹ / ₁₆	MSM160	MSE607	842	1175	61.40	1200	317.50	83.30	140.00
170	6 ¹ / ₂	MSM170	MSE608	189289	264151	13803				
	6 ¹¹ / ₁₆		MSE611							
175	6 ³ / ₄	MSM175	MSE612	927	1357	71.20	1120	330.20	83.30	140.00
180	6 ¹⁵ / ₁₆	MSM180	MSE615	208398	305066	16006				
	7		MSE700							
	7 ¹ / ₄		MSE704							
190	7 ¹ / ₂	MSM190	MSE708	1013	1516	80.00	960	368.30	90.50	156.00
200	7 ¹⁵ / ₁₆	MSM200	MSE715	227732	340810	17985				
	8		MSE800							
	8 ¹ / ₂		MSE808							
220	8 ⁷ / ₈	MSM220	MSE814	1138	1668	89.80	850	393.70	90.50	163.00
230	9	MSM230	MSE900	255833	374981	20188				
			MSE908							
240	9 ¹ / ₂	MSM240	MSE912	1354	2117	98.80	750	431.80	96.80	170.00
250	9 ³ / ₄	MSM250	MSE1000	304391	475921	22211				
260	10	MSM260	MSE1008							
			MSE1012							
			MSE1100							
270	10 ¹ / ₂	MSM270	MSE1108	1476	2357	113.80	670	463.55	101.60	186.00
280	10 ³ / ₄	MSM280	MSE1200	331818	529875	25583				
	11		MSE1208							
			MSE1300							
300	11 ¹ / ₂	MSM300	MSE1400	1587	2644	129.00	610	495.30	103.20	193.00
305	12	MSM305	MSE1408	356772	594395	29000				
			MSE1500							
320	12 ¹ / ₂	MSM320	MSE1600	1723	2922	144.20	550	527.05	106.40	192.00
330	13	MSM330	MSE1700	387346	656892	32417				
			MSE1800							
340	14	MSM340	MSE1900	1989	3403	159.20	500	565.15	115.90	200.00
360		MSM360	MSE2000	447145	765025	35790				

Housing Reference					
Add HR for retained Add HX for expansion e.g. MSM160HR		G	F	L	L ₁
MSM160	MSE607	368.30	95	206	232
MSM170	MSE608	14.500	3.7	8.1	9.1
	MSE611				
MSM175	MSE612	381.00	95	222	242
MSM180	MSE615	15.000	3.7	8.7	9.5
	MSE700				
	MSE704				
MSM190	MSE708	425.50	105	235	258
MSM200	MSE715	16.752	4.1	9.3	10.2
	MSE800				
	MSE808				
MSM220	MSE814	457.20	110	242	274
MSM230	MSE900	18.000	4.3	9.5	10.8
	MSE908				
MSM240	MSE912	495.30	118	248	280
MSM250	MSE1000	19.500	4.6	9.8	11.0
MSM260	MSE1008				
	MSE1012				
	MSE1100				
MSM270	MSE1108	527.10	130	264	300
MSM280	MSE1200	20.752	5.1	10.4	11.8
	MSE1208				
MSM300	MSE1300	552.50	128	268	306
MSM305	MSE1400	21.752	5.0	10.6	12.0
	MSE1408				
MSM320	MSE1500	587.40	128	298	-
MSM330	MSE1600	23.126	5.0	11.7	-
	MSE1700				
MSM340	MSE1800	628.70	146	305	-
MSM360	MSE1900	24.752	5.7	12.0	-

Medium Series Support

S32 - S40

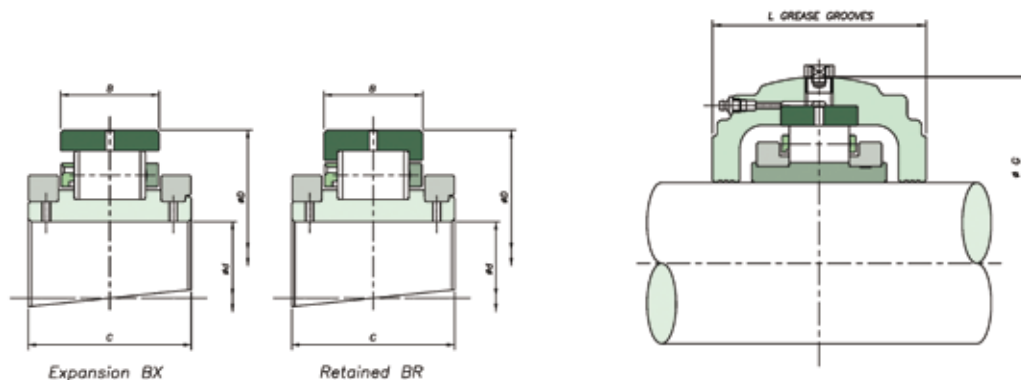


S32 - S40

Shaft (d)		Support Reference	H	H ₁	H ₂	J x K	L x M	Bolts
mm	inch							
160	6 ⁷ / ₁₆	S32	267	44	535	448 x 172	596 x 242	4 x M30
170	6 ¹ / ₂		10.512	1.7	21.1	17.6 x 6.8	23.5 x 9.5	
175	6 ¹¹ / ₁₆	S33	273	44	545	458 x 166	636 x 242	4 x M30
180	6 ¹⁵ / ₁₆		10.748	1.7	21.5	18 x 6.5	25 x 9.5	
	7							
	7 ¹ / ₄							
190	7 ¹ / ₂	S34	305	50	610	508 x 190	686 x 266	4 x M30
200	7 ¹⁵ / ₁₆		12.008	2.0	24.0	20 x 7.5	27 x 10.5	
	8							
220	8 ¹ / ₂	S35	324	50	650	550 x 190	750 x 280	4 x M30
230	8 ⁷ / ₈		12.756	2.0	25.6	21.7 x 7.5	29.5 x 11	
	9							
240	9 ¹ / ₂	S36	356	54	710	596 x 204	812 x 292	4 x M36
250	9 ³ / ₄		14.016	2.1	28.0	23.5 x 8	32 x 11.5	
260	10							
270	10 ¹ / ₂	S37	378	60	760	736 & 534 x 254	914 x 330	8 x M30
280	10 ³ / ₄		14.882	2.4	29.9	29 & 21 x 10	36 x 13	
	11							
300	11 ¹ / ₂	S38	394	60	790	768 & 566 x 254	958 x 330	8 x M30
305	12		15.512	2.4	31.1	30.2 & 22.3 x 10	37.7 x 13	
320	12 ¹ / ₂	S39	419	64	840	812 & 610 x 210	1016 x 292	8 x M30
330	13		16.496	2.5	33.1	32 & 24 x 8.3	40 x 11.5	
340	14	S40	451	67	900	864 & 660 x 280	1092 x 368	8 x M36
360			17.756	2.6	35.4	34 & 26 x 11	43 x 14.5	

Medium Series Bearing & Housing

380mm to 600mm



Shaft (d)		Reference	Bearings Ratings						
-----------	--	-----------	------------------	--	--	--	--	--	--

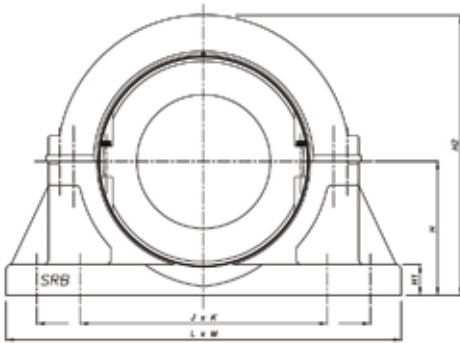
mm	inch	Add BR for retained Add BX for expansion e.g. MSM380BR	Dynamic C _r (kN/lb)	Static C _{0r} (kN/lb)	Axial C _a (kN/lb)	Max RPM	D	B	C
380	15	MSM380 MSE1500	1931	3522	174.40	460	584.20	111.10	200.00
			434106	791777	39207		23.000	4.374	7.874
400	16	MSM400 MSE1600	2105	3793	188.40	430	615.95	115.90	200.00
			473223	852701	42354		24.250	4.563	7.874
420	17	MSM420 MSE1700	2324	4164	202.00	400	647.70	119.10	200.00
			522456	936105	45411		25.500	4.689	7.874
440	18	MSM440 MSE1800	2215	4183	216.00	380	666.75	115.90	200.00
			497952	940376	48559		26.250	4.563	7.874
480	19	MSM480 MSE1900	2445	4594	230.00	360	698.50	119.10	223.00
			549658	1032773	51706		27.500	4.689	8.780
500	20	MSM500 MSE2000	2453	4923	244.00	340	717.55	115.90	226.00
			551456	1106734	54853		28.250	4.563	8.898
530	21	MSM530 MSE2100	2702	5415	258.00	330	762.00	119.10	229.00
			607434	1217340	58001		30.000	4.689	9.016
560	22	MSM560 MSE2200	2851	5740	272.00	310	793.75	122.20	233.00
			640930	1290403	61148		31.250	4.811	9.173
580	23	MSM580 MSE2300	2982	6137	286.00	300	812.80	119.10	232.00
			670380	1387740	64295		32.000	4.689	9.134
600	24	MSM600 MSE2400	2972	6185	300.00	290	838.20	119.10	214.00
			668132	1390443	67443		33.000	4.689	8.425

Housing Reference				
-------------------	--	--	--	--

Add HR for retained Add HX for expansion e.g. MSM380HR	G	F	L	L ₁
MSM380 MSE1500	647.70	146	305	-
	25.500	5.7	12.0	
MSM400 MSE1600	685.80	146	324	-
	27.000	5.7	12.8	
MSM420 MSE1700	717.60	146	350	-
	28.252	5.7	13.8	
MSM440 MSE1800	733.40	146	350	-
MSM460 MSE1800	28.874	5.7	13.8	
MSM480 MSE1900	762.00	146	368	-
	30.000	5.7	14.5	
MSM500 MSE2000	787.40	146	368	-
	31.000	5.7	14.5	
MSM530 MSE2100	831.90	150	368	-
	32.752	5.9	14.5	
MSM560 MSE2200	866.80	152	374	-
	34.126	6.0	14.7	
MSM580 MSE2300	883.00	152	374	-
	34.764	6.0	14.7	
MSM600 MSE2400	914.40	152	388	-
	36.000	6.0	15.3	

Medium Series Support

S41 - S50



S41 - S50

Shaft (d) mm	inch	Support Reference	H	H ₁	H ₂	J x K	L x M	Bolts
380	15	S41	464 18.268	67 2.6	925 36.4	886 & 682 x 280 34.9 & 26.9 x 11	1092 x 368 43 x 14.5	8 x M36
400	16	S42	495 19.488	70 2.8	990 39.0	934 & 730 x 280 36.8 & 28.7 x 11	1168 x 368 46 x 14.5	8 x M36
420	17	S43	514 20.236	70 2.8	1030 40.6	972 & 768 x 280 38.3 & 30.2 x 11	1194 x 368 47 x 14.5	8 x M36
440	18	S44	533 20.984	73 2.9	1070 42.1	996 & 788 x 280 39.2 & 31 x 11	1244 x 368 49 x 14.5	8 x M36
480	19	S45	552 21.732	76 3.0	1110 43.7	1042 & 812 x 280 41 & 32 x 11	1270 x 368 50 x 14.5	8 x M36
500	20	S46	572 22.520	80 3.1	1145 45.1	1074 & 844 x 280 42.3 & 33.2 x 11	1296 x 368 51 x 14.5	8 x M36
530	21	S47	594 23.386	83 3.3	1180 46.5	1118 & 890 x 280 44 & 35 x 11	1398 x 368 55 x 14.5	8 x M36
560	22	S48	616 24.252	86 3.4	1230 48.4	1158 & 930 x 280 45.6 & 36.6 x 11	1422 x 382 56 x 15	8 x M42
580	23	S49	635 25.000	89 3.5	1270 50.0	1187 & 959 x 280 46.7 & 37.8 x 11	1448 x 382 57 x 15	8 x M42
600	24	S50	673 26.496	92 3.6	1345 53.0	1238 & 1010 x 280 48.7 & 39.8 x 11	1524 x 382 60 x 15	8 x M42