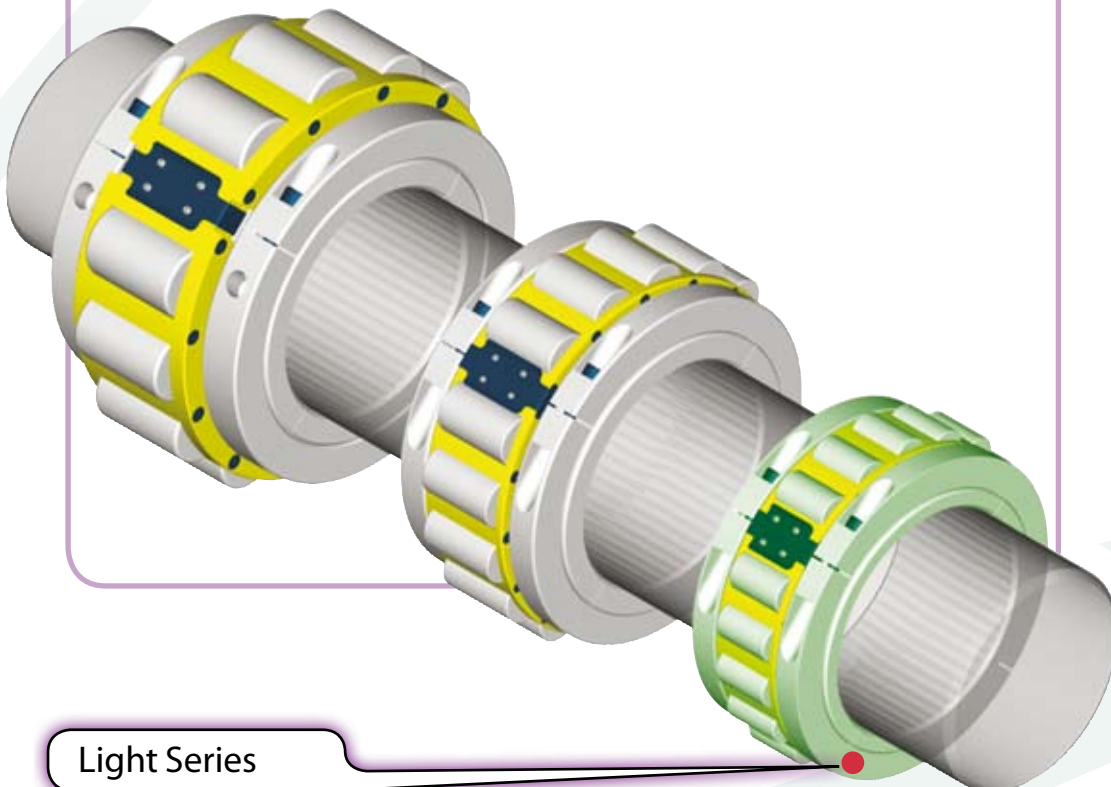


# Light Series

Light Series bearing products are by far the most commonly utilised range within the Split Bearing family. With a wide variety of mounting and sealing solutions available, Light Series bearing units can readily be matched to an ever-increasing range of applications. If a standard catalogue product does not meet your requirements, SRB Technical Services will be happy to provide help and advice on your application.

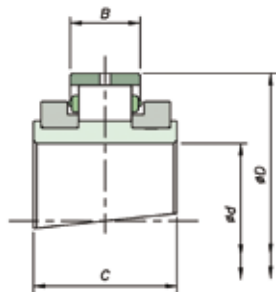
Bearings, Housings & Supports	40mm to 150mm	Page	23 – 24
	160mm to 340mm	Page	25 – 26
	360mm to 600mm	Page	27 – 28
Flange Units		Page	29 – 30
Tensioning Units		Page	31 – 32
Hanger Units		Page	33



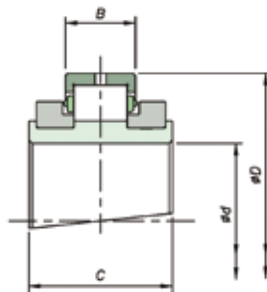
Light Series

# Light Series Bearing & Housing

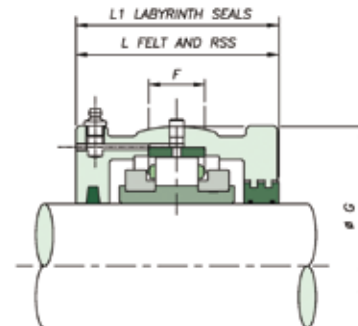
40mm to 150mm



Expansion BX



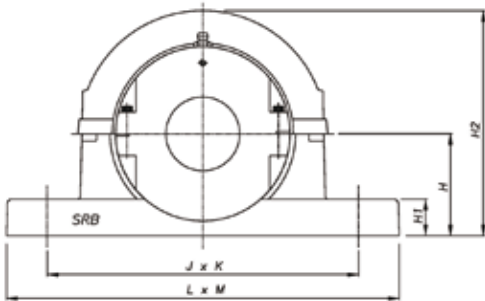
Retained BR



Shaft (d)		Reference		Bearings Ratings					Housing Reference							
mm	inch	Add BR for retained Add BX for expansion e.g. LSM35BR		Dynamic C <sub>r</sub> (kN/lb)	Static C <sub>0r</sub> (kN/lb)	Axial C <sub>a</sub> (kN/lb)	Max RPM	D	B	C	Add HR for retained Add HX for expansion e.g. LSM35HR	G	F	L	L <sub>1</sub>	
35	1 <sup>3</sup> / <sub>16</sub>		LSE103													
	1 <sup>1</sup> / <sub>4</sub>	LSM35	LSE104	65	68	3.20	5400	84.14	23.80	55.00	LSE103					
40	1 <sup>7</sup> / <sub>16</sub>	LSM40	LSE107	14613	15287	719.38		3.313	0.937	2.165	LSM35	LSE104	100.00	25	84	86
	1 <sup>1</sup> / <sub>2</sub>		LSE108								LSM40	LSE107	3.937	1.0	3.3	3.4
45	1 <sup>11</sup> / <sub>16</sub>		LSE111													
	1 <sup>3</sup> / <sub>4</sub>	LSM45	LSE112	83	87	3.60	4630	98.42	25.40	60.00		LSE111				
	1 <sup>15</sup> / <sub>16</sub>	LSM50	LSE115	18659	19558	809.30		3.875	1.000	2.362	LSM45	LSE112	117.48	25	96	98
	2		LSE200								LSM50	LSE115	4.625	1.0	3.8	3.9
55	2 <sup>3</sup> / <sub>16</sub>		LSE203													
	2 <sup>1</sup> / <sub>4</sub>	LSM55	LSE204	103	115	5.40	3940	114.30	27.00	60.00		LSE203				
	2 <sup>7</sup> / <sub>16</sub>	LSM60	LSE207	23155	25853	1213.95		4.500	1.063	2.362	LSM55	LSE204	134.94	32	102	104
	2 <sup>1</sup> / <sub>2</sub>	LSM65	LSE208								LSM60	LSE207	5.313	1.3	4.0	4.1
70	2 <sup>11</sup> / <sub>16</sub>		LSE211													
	2 <sup>3</sup> / <sub>4</sub>	LSM70	LSE212	138	161	7.60	3310	133.35	31.80	65.00		LSE211				
	2 <sup>13</sup> / <sub>16</sub>	LSM75	LSE215	31024	36194	1708.53		5.250	1.252	2.559	LSM70	LSE212	157.16	38	112	114
	3		LSE300								LSM75	LSE215	6.187	1.5	4.4	4.5
80	3 <sup>3</sup> / <sub>16</sub>		LSE303													
	3 <sup>1</sup> / <sub>4</sub>	LSM80	LSE304	187	231	12.40	2790	152.4	38.90	75.00		LSE303				
	3 <sup>7</sup> / <sub>16</sub>	LSM85	LSE307	42039	51931	2787.59		6.000	1.531	2.953	LSM80	LSE304	177.80	50	134	136
	3 <sup>1</sup> / <sub>2</sub>	LSM90	LSE308								LSM85	LSE307	7.000	2.0	5.3	5.4
100	3 <sup>11</sup> / <sub>16</sub>		LSE311													
	3 <sup>3</sup> / <sub>4</sub>	LSM100	LSE312	288	366	16.00	2340	174.62	45.30	85.00		LSE311				
	3 <sup>13</sup> / <sub>16</sub>	LSM105	LSE315	64745	82280	3596.90		6.875	1.783	3.346	LSM100	LSE312	203.20	50	132	134
	4		LSE400								LSM105	LSE315	8.000	2.0	5.2	5.3
110	4 <sup>3</sup> / <sub>16</sub>		LSE403													
	4 <sup>1</sup> / <sub>4</sub>	LSM110	LSE404	316	427	18.60	1970	203.20	46.90	90.00		LSE403				
	4 <sup>7</sup> / <sub>16</sub>	LSM115	LSE407	71040	95993	4181.39		8.000	1.846	3.543	LSM110	LSE404	231.78	64	140	142
	4 <sup>1</sup> / <sub>2</sub>		LSE408								LSM115	LSE407	9.125	2.5	5.5	5.6
120	4 <sup>11</sup> / <sub>16</sub>		LSE411													
	4 <sup>3</sup> / <sub>4</sub>	LSM120	LSE412	363	496	22.20	1740	222.25	54.00	95.00		LSE411				
	4 <sup>15</sup> / <sub>16</sub>	LSM125	LSE415	81606	111505	4990.69		8.750	2.126	3.740	LSM120	LSE412	266.70	76	154	156
	5	LSM130	LSE500								LSM125	LSE415	10.500	3.0	6.1	6.1
135	5 <sup>3</sup> / <sub>16</sub>		LSE503													
	5 <sup>1</sup> / <sub>4</sub>	LSM135	LSE504	422	585	25.80	1570	241.30	55.60	98.40		LSE503				
	5 <sup>7</sup> / <sub>16</sub>	LSM140	LSE507	94869	131513	5799.99		9.500	2.189	3.874	LSM135	LSE504	279.40	76	166	168
	5 <sup>1</sup> / <sub>2</sub>		LSE508								LSM140	LSE507	11.000	3.0	6.5	6.6
150	5 <sup>11</sup> / <sub>16</sub>		LSE511													
	5 <sup>3</sup> / <sub>4</sub>	LSM150	LSE512	459	664	29.40	1450	254.00	55.60	98.40		LSE511				
	5 <sup>15</sup> / <sub>16</sub>	LSM155	LSE515	103187	149273	6609.30		10.000	2.189	3.874	LSM150	LSE512	295.28	82	172	174
	6	LSM160A	LSE600								LSM155	LSE515	11.625	3.2	6.8	6.9

# Light Series Support

## S01 - S10

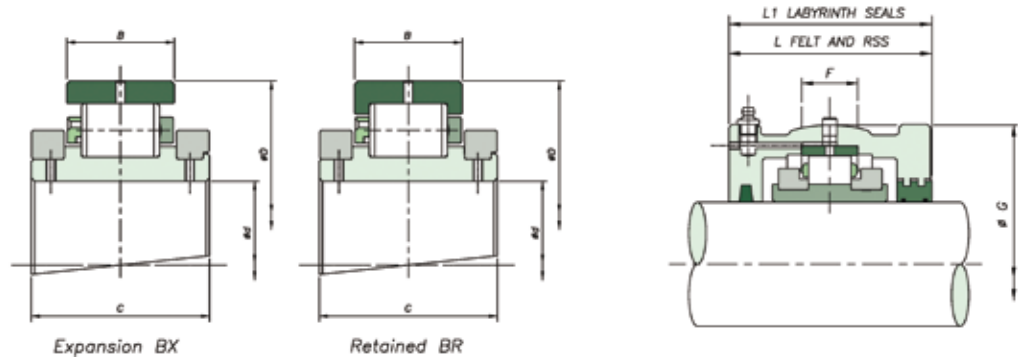


### S01 - S10

Shaft (d)		Support Reference	H	H <sub>1</sub>	H <sub>2</sub>	J x K	L x M	Bolts
mm	inch							
35	1 <sup>3</sup> / <sub>16</sub>	S01	60	22	138	180	228 x 60	2 x M12
40	1 <sup>1</sup> / <sub>4</sub>		2.362	0.9	5.4	7.1	9 x 2.4	
	1 <sup>7</sup> / <sub>16</sub>							
45	1 <sup>11</sup> / <sub>16</sub>	S02	70	25	158	214	270 x 60	2 x M16
50	1 <sup>15</sup> / <sub>16</sub>		2.756	1.0	6.2	8.4	10.6 x 2.4	
	2							
55	2 <sup>1</sup> / <sub>16</sub>	S03	80	32	180	234	280 x 70	2 x M16
60	2 <sup>1</sup> / <sub>4</sub>		3.150	1.3	7.1	9.2	11 x 2.8	
65	2 <sup>1</sup> / <sub>2</sub>							
70	2 <sup>11</sup> / <sub>16</sub>	S04	95	38	208	270	330 x 76	2 x M20
75	2 <sup>3</sup> / <sub>4</sub>		3.740	1.5	8.2	10.6	13 x 3	
	2 <sup>15</sup> / <sub>16</sub>							
80	3 <sup>1</sup> / <sub>16</sub>	S05	112	44	252	320	380 x 90	2 x M24
85	3 <sup>1</sup> / <sub>4</sub>		4.409	1.7	9.9	12.6	15 x 3.5	
90	3 <sup>3</sup> / <sub>16</sub>							
100	3 <sup>11</sup> / <sub>16</sub>	S06	125	52	272	354	420 x 102	2 x M24
105	3 <sup>3</sup> / <sub>4</sub>		4.921	2.0	10.7	13.9	16.5 x 4	
	3 <sup>15</sup> / <sub>16</sub>							
110	4 <sup>3</sup> / <sub>16</sub>	S07	143	60	314	392	466 x 120	2 x M24
115	4 <sup>1</sup> / <sub>4</sub>		5.630	2.4	12.4	15.4	18.3 x 4.7	
	4 <sup>7</sup> / <sub>16</sub>							
120	4 <sup>11</sup> / <sub>16</sub>	S08	162	38	372	450 x 120	508 x 178	4 x M24
125	4 <sup>3</sup> / <sub>4</sub>		6.378	1.5	14.6	17.7 x 4.7	20 x 7	
130	4 <sup>15</sup> / <sub>16</sub>							
135	5 <sup>1</sup> / <sub>16</sub>	S09	181	40	405	482 x 120	558 x 178	4 x M24
140	5 <sup>1</sup> / <sub>4</sub>		7.126	1.6	15.9	19 x 4.7	22 x 7	
	5 <sup>7</sup> / <sub>16</sub>							
150	5 <sup>11</sup> / <sub>16</sub>	S10	181	40	415	496 x 120	558 x 178	4 x M24
155	5 <sup>3</sup> / <sub>4</sub>		7.126	1.6	16.3	19.5 x 4.7	22 x 7	
160A	5 <sup>15</sup> / <sub>16</sub>							
	6							

# Light Series Bearing & Housing

## 160mm to 340mm



Shaft (d)		Reference	Bearings Ratings			
-----------	--	-----------	------------------	--	--	--

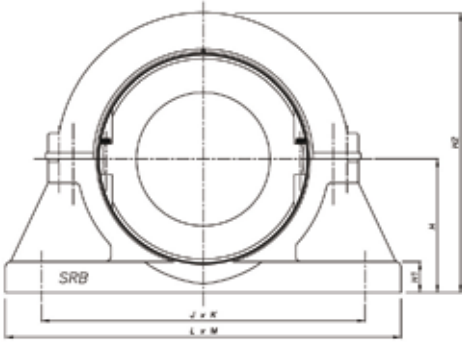
mm	inch	Add BR for retained Add BX for expansion e.g. LSM35BR	Dynamic C <sub>d</sub> (kN/lb)	Static C <sub>s</sub> (kN/lb)	Axial C <sub>a</sub> (kN/lb)	Max RPM	D	B	C
160	6 <sup>1</sup> / <sub>16</sub>	LSM160 LSE607	583	792	33.00	1320	273.05	60.30	109.00
170A	6 <sup>1</sup> / <sub>2</sub>	LSM170A LSE608	131064	178049	7419		10.750	2.374	4.291
170	6 <sup>11</sup> / <sub>16</sub>	LSM170 LSE611	524	828	36.40	1220	285.75	55.50	109.00
175	6 <sup>3</sup> / <sub>4</sub>	LSM175 LSE612							
180	6 <sup>5</sup> / <sub>16</sub>	LSM180 LSE615	117800	186142	8183	930	11.250	2.185	4.291
	7	LSE700							
	7 <sup>1</sup> / <sub>4</sub>	LSE704							
190	7 <sup>1</sup> / <sub>2</sub>	LSM190 LSE708	614	990	41.00	1070	311.15	60.30	109.00
200	7 <sup>5</sup> / <sub>16</sub>	LSM200 LSE715	138033	222561	9217				
	8	LSE800	708	1168	49.00	930	342.90	63.50	115.00
220	8 <sup>1</sup> / <sub>2</sub>	LSM220 LSE808							
230	8 <sup>7</sup> / <sub>8</sub>	LSM230 LSE814	159165	262577	11016	820	13.500	2.500	4.528
	9	LSE900							
240	9 <sup>1</sup> / <sub>2</sub>	LSM240 LSE908	744	1289	57.80	820	374.65	66.70	122.00
250	9 <sup>3</sup> / <sub>4</sub>	LSM250 LSE912	167258	289779	12994				
	10	LSE1000	848	1502	66.80	730	406.40	69.00	128.00
260	10 <sup>1</sup> / <sub>2</sub>	LSM260 LSE1008							
270	10 <sup>3</sup> / <sub>4</sub>	LSM270 LSE1012	190638	337663	15017	650	17.250	2.937	5.630
280	11	LSM280 LSE1100							
300	11 <sup>1</sup> / <sub>2</sub>	LSM300 LSE1108	929	1665	78.20	650	438.15	74.60	143.00
305	12	LSM305 LSE1200	208848	374307	17580				
320	12 <sup>1</sup> / <sub>2</sub>	LSM320 LSE1208	920	1674	89.00	590	463.55	74.60	136.00
330	13	LSM330 LSE1300	206824	376330	20008				
340	14	LSM340 LSE1400	1022	1965	99.60	540	488.95	74.60	136.00
350		LSM350	229755	441745	22391				

Housing Reference					
-------------------	--	--	--	--	--

Add HR for retained Add HX for expansion e.g. LSM35HR		G	F	L	L <sub>1</sub>
LSM160	LSE607	311.15	76	172	192
LSM170A	LSE608	12.250	3.0	6.8	7.6
LSM170	LSE611				
LSM175	LSE612	323.85	70	172	200
LSM180	LSE615	12.750	2.8	6.8	7.9
	LSE700				
	LSE704				
LSM190	LSE708	358.78	86	172	200
LSM200	LSE715	14.125	3.4	6.8	7.9
	LSE800				
LSM220	LSE808	387.35	82	178	216
LSM230	LSE814	15.250	3.2	7.0	8.5
	LSE900				
LSM240	LSE908	419.10	90	188	222
LSM250	LSE912	16.500	3.5	7.4	8.7
	LSE1000				
LSM260	LSE1008	454.00	95	204	232
LSM270	LSE1012	17.874	3.7	8.0	9.1
LSM280	LSE1100				
LSM300	LSE1108	489.00	98	216	248
LSM305	LSE1200	19.252	3.9	8.5	9.8
LSM320	LSE1208	520.70	95	260	-
LSM330	LSE1300	20.500	3.7	10.2	-
LSM340	LSE1400	546.10	98	260	-
LSM350		21.500	3.9	10.2	-

## Light Series Support

### S11 - S19

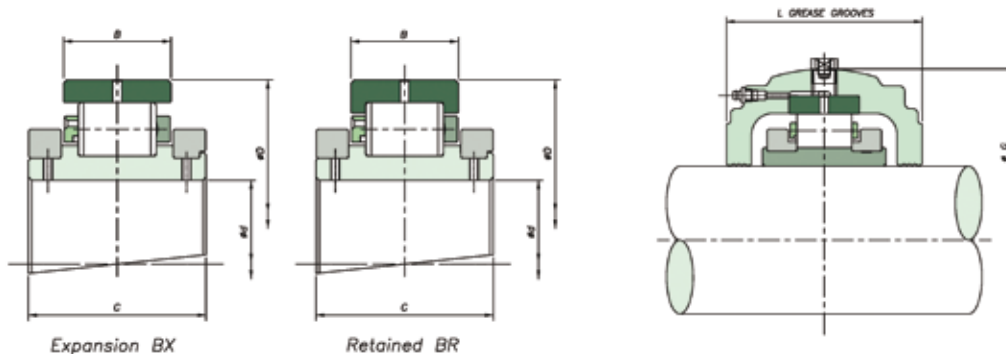


#### S11 - S19

Shaft (d)		Support Reference	H	H <sub>1</sub>	H <sub>2</sub>	J x K	L x M	Bolts
mm	inch							
160	6 <sup>7</sup> / <sub>16</sub>	S11	213	32	430	368 x 114	508 x 178	4 x M24
170A	6 <sup>1</sup> / <sub>2</sub>		8.386	1.3	16.9	14.5 x 4.5	20 x 7	
170	6 <sup>11</sup> / <sub>16</sub>	S12	235	35	470	388 x 128	534 x 190	4 x M24
175	6 <sup>3</sup> / <sub>4</sub>		9.252	1.4	18.5	15.3 x 5	21 x 7.5	
180	7							
190	7 <sup>1</sup> / <sub>4</sub>	S13	248	38	495	422 x 140	572 x 204	4 x M24
200	7 <sup>15</sup> / <sub>16</sub>		9.764	1.5	19.5	16.6 x 5.5	22.5 x 8	
220	8 <sup>1</sup> / <sub>2</sub>							
230	8 <sup>7</sup> / <sub>8</sub>	S14	270	40	540	460 x 140	636 x 216	4 x M30
240	9		10.630	1.6	21.3	18.1 x 5.5	25 x 8.5	
250	9 <sup>1</sup> / <sub>2</sub>	S15	292	44	585	502 x 140	686 x 228	4 x M30
260	9 <sup>3</sup> / <sub>4</sub>		11.496	1.7	23.0	19.8 x 5.5	27 x 9	
270	10							
280	10 <sup>1</sup> / <sub>2</sub>	S16	311	48	620	534 x 140	724 x 228	4 x M30
270	10 <sup>3</sup> / <sub>4</sub>		12.244	1.9	24.4	21 x 5.5	28.5 x 9	
280	11							
300	11 <sup>1</sup> / <sub>2</sub>	S17	343	50	685	584 x 178	762 x 254	4 x M30
305	12		13.504	2.0	27.0	23 x 7	32 x 10	
320	12 <sup>1</sup> / <sub>2</sub>	S18	368	54	735	622 x 178	812 x 254	4 x M36
330	13		14.488	2.1	28.9	24.5 x 7	32 x 10	
340	14	S19	387	57	775	654 x 166	850 x 254	4 x M36
350			15.236	2.2	30.5	25.7 x 6.5	33.5 x 10	

# Light Series Bearing & Housing

## 360mm to 600mm



**Shaft (d) Reference Bearings Ratings**

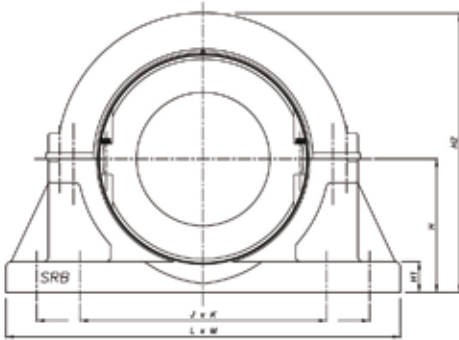
mm	inch	Add BR for retained Add BX for expansion e.g. LSM35BR	Dynamic C <sub>r</sub> (kN/lb)	Static C <sub>or</sub> (kN/lb)	Axial C <sub>a</sub> (kN/lb)	Max RPM	D	B	C
360	15	LSM360	1224	2431	110.40	500	520.70	76.20	140.00
380		LSM380	275166	546511	24819		20.500	3.000	5.512
400	16	LSM400	1107	2266	115.60	460	546.10	76.20	140.00
		LSM400	248864	509417	25988		21.500	3.000	5.512
420	17	LSM420	1146	2418	121.00	430	571.50	76.20	140.00
		LSM420	257631	543588	27202		22.500	3.000	5.512
440	18	LSM440	1185	2469	127.20	410	596.90	76.20	140.00
460		LSM460	266399	555053	28596		23.500	3.000	5.512
480	19	LSM480	1348	2965	132.60	380	628.65	81.00	144.00
		LSM480	303042	666559	29810		24.750	3.189	5.669
500	20	LSM500	1392	3139	137.80	360	654.05	80.20	168.00
		LSM500	312934	705675	30979		25.750	3.157	6.614
530	21	LSM530	1431	3316	140.60	340	692.15	81.00	168.00
		LSM530	321702	745466	31608		27.250	3.189	6.614
560	22	LSM560	1472	3490	142.40	330	717.55	81.00	168.00
		LSM560	330919	784583	32013		28.250	3.189	6.614
580	23	LSM580	1616	3841	144.00	310	749.00	84.10	172.00
		LSM580	363291	863491	32372		29.488	3.311	6.772
600	24	LSM600	1660	4033	146.80	300	774.70	84.10	172.00
		LSM600	373183	906654	33002		30.500	3.311	6.772

**Housing Reference**

Add HR for retained Add HX for expansion e.g. LSM35HR	G	F	L	L <sub>1</sub>
LSM360	571.50	98	260	-
LSM380	22.500	3.9	10.2	-
LSM400	603.30	102	280	-
LSM400	23.752	4.0	11.0	-
LSM420	628.70	102	292	-
LSM420	24.752	4.0	11.5	-
LSM440	650.90	108	304	-
LSM460	25.626	4.3	12.0	-
LSM480	682.60	108	304	-
LSM480	26.874	4.3	12.0	-
LSM500	717.60	114	304	-
LSM500	28.252	4.5	12.0	-
LSM530	755.70	114	330	-
LSM530	29.752	4.5	13.0	-
LSM560	781.10	114	336	-
LSM560	30.752	4.5	13.2	-
LSM580	816.00	120	342	-
LSM580	32.126	4.7	13.5	-
LSM600	841.40	120	342	-
LSM600	33.126	4.7	13.5	-

## Light Series Support

### S20 - S29



#### S20 - S29

Shaft (d)		Support Reference	H	H <sub>1</sub>	H <sub>2</sub>	J x K	L x M	Bolts
mm	inch							
360	15	S20	397	60	795	676 x 166	902 x 254	4 x M36
380			15.630	2.4	31.3	26.6 x 6.5	35.5 x 10	
400	16	S21	432	67	865	724 x 166	940 x 254	4 x M36
420			17.008	2.6	34.1	28.5 x 6.5	37 x 10	
440	17	S22	445	67	890	756 x 166	966 x 254	4 x M36
460			17.520	2.6	35.0	29.8 x 6.5	38 x 10	
480	18	S23	464	70	925	788 x 190	1042 x 280	4 x M42
500			18.268	2.8	36.4	31 x 7.5	41 x 11	
530	19	S24	483	73	965	816 x 188	1092 x 304	4 x M42
560			19.016	2.9	38.0	32.1 x 7.4	43 x 12	
580	20	S25	489	76	980	844 x 216	1092 x 304	4 x M42
600			19.252	3.0	38.6	33.2 x 8.5	43 x 12	
530	21	S26	533	80	1065	904 x 206	1194 x 304	4 x M42
560			20.984	3.1	41.9	35.6 x 8.1	47 x 12	
580	22	S27	552	83	1110	936 x 206	1220 x 304	4 x M42
600			21.732	3.3	43.7	36.9 x 8.1	48 x 12	
580	23	S28	578	83	1156	1080 & 877 x 220	1372 x 304	8 x M36
600			22.756	3.3	45.5	42.5 & 34.5 x 8.7	54 x 12	
580	24	S29	597	90	1200	1118 & 908 x 200	1372 x 304	8 x M36
600			23.504	3.5	47.2	44 & 35.7 x 7.9	54 x 12	